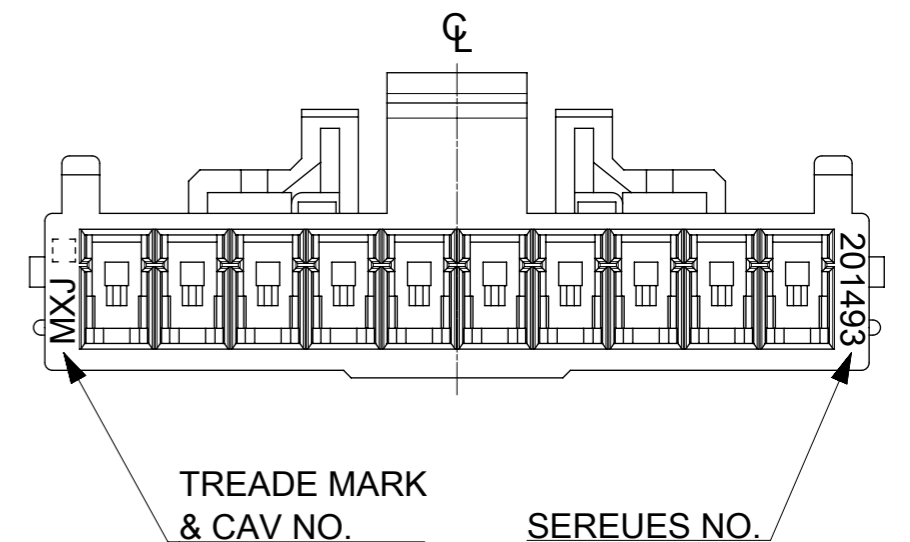
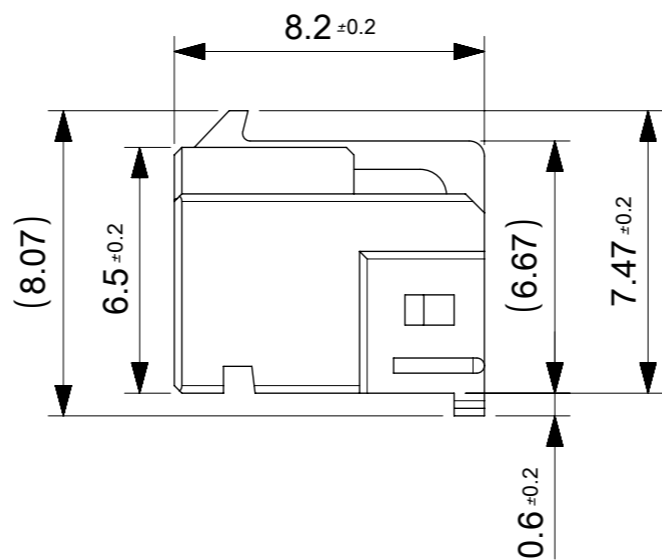
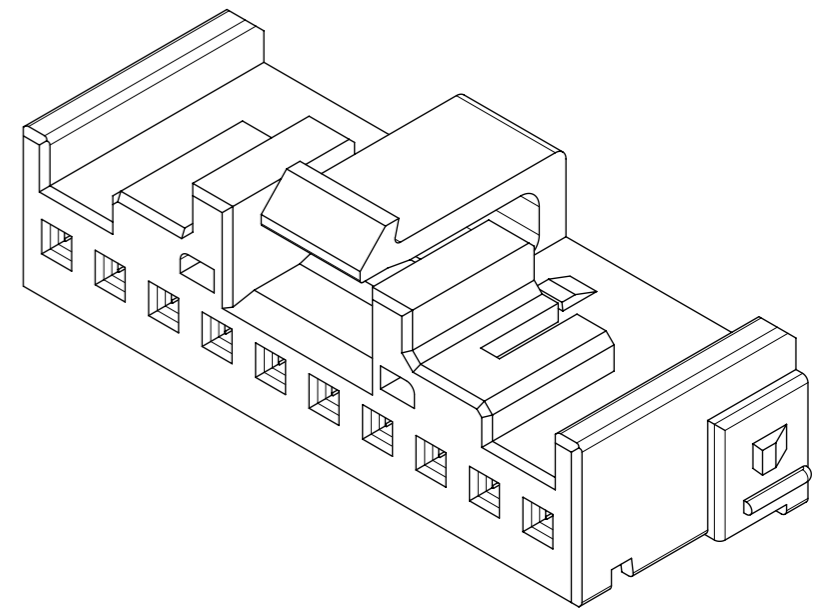


NOTE

- 1.適合ターミナル : 59370シリーズ
APPLICABLE TERMINAL:59370 SERIES
- 2.適合リテーナー : 2014952100
APPLICABLE RETAINER:2014952100
- 3.嵌合相手 : 2014942100
MATE WITH:2014942100
- 4.ELV及びRoHS適合品
ELV AND RoHS COMPLIANT
- 5.材料/MATERIALS
ポリエステル (PBT) ,UL94V-0,ナチュラル (白)
POLYESTER(PBT),UL94V-0,NATURAL(WHITE)
- 6.製品仕様書 : 2014932100PS000
PRODUCT SPECIFICATION:2014932100PS000
- 7.本製品のプラスチック部に黒点等が確認される場合や色合いが異なる場合がありますが、製品性能に影響はありません
APPLICATION SPHERE IS NO INFLUENCE IN THE PRODUCT PREFORMANCE THOUGH THE BLACK SPOT ETC.
MIGHT BE CONFIRMED TO THE PLASTIC PART OF THE PRODUCT AND THE SHADE MIGHT BE DIFFERENT.



2014932100
ORDER NO.

THIS DRAWING CONTAINS INFORMATION THAT IS PROPRIETARY TO MOLEX ELECTRONIC TECHNOLOGIES, LLC AND SHOULD NOT BE USED WITHOUT WRITTEN PERMISSION										
EC NO: 107295 DRWN: TNAKATA CHK'D: THANYU APPR: YNOGAWA	2016/04/08	GENERAL TOLERANCES (UNLESS SPECIFIED)		DIMENSION UNITS	SCALE					
	2016/08/08	ANGULAR TOL ± 3.0 °		MM	5:1					
	2016/08/09	4 PLACES	± 0.03	DRWN BY	DATE	2.0MM PITCH WIRE TO WIRE CONNECTOR REC HSG LOW-HALOGEN				
		3 PLACES	± 0.03	THANYU	2016/08/08	PRODUCT CUSTOMER DRAWING				
		2 PLACES	± 0.05	YNOGAWA	2016/08/09	SERIES	MATERIAL NUMBER	CUSTOMER		
	1 PLACE	± 0.1	DRAFT WHERE APPLICABLE MUST REMAIN WITHIN DIMENSIONS		A3	THIRD ANGLE PROJECTION		GENERAL		
	0 PLACES	± 0.2					201493	2014932100	GENERAL	
							DOCUMENT NUMBER	DOC TYPE	DOC PART	SHEET NUMBER
							2014932100	PSD	000	1 OF 2

9 8 7 6 5 4 3 2 1

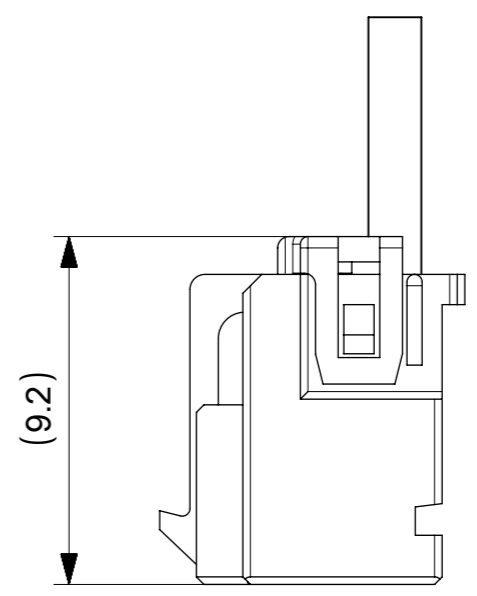
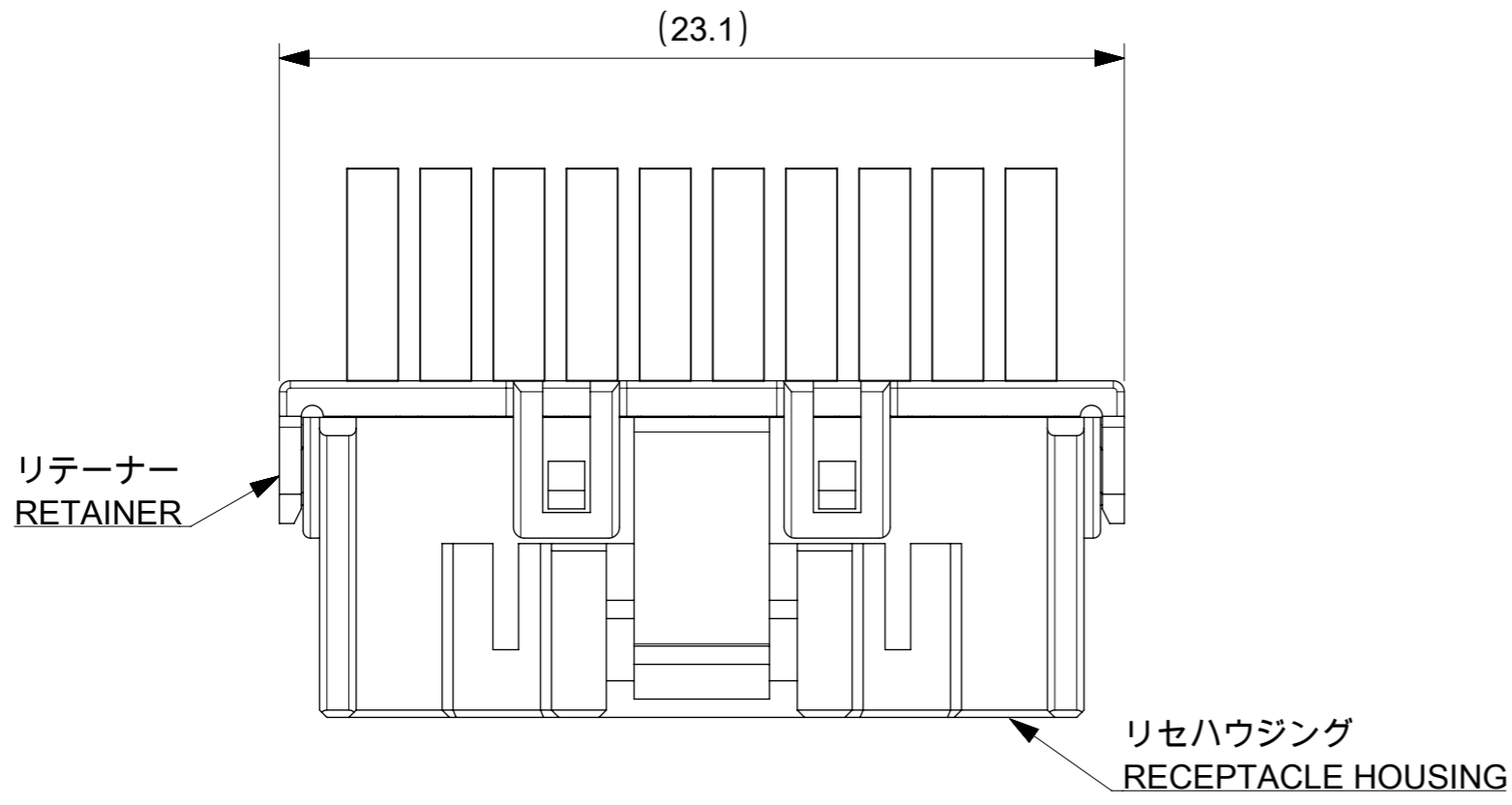
E

D

C

B

A



リテーナー装着図
RETAINER ASSEMBLY DRAWING

THIS DRAWING CONTAINS INFORMATION THAT IS PROPRIETARY TO MOLEX ELECTRONIC TECHNOLOGIES, LLC AND SHOULD NOT BE USED WITHOUT WRITTEN PERMISSION

EC NO: 107295 DRWN: TNAKATA CHK'D: THANYU APPR: YNOGAWA	2016/04/08	GENERAL TOLERANCES (UNLESS SPECIFIED)		DIMENSION UNITS	SCALE					
	2016/08/08	ANGULAR TOL ± 3.0 °		MM	5:1					
	2016/08/09	4 PLACES	± 0.03	DRWN BY	DATE	2.0MM PITCH WIRE TO WIRE CONNECTOR REC HSG LOW-HALOGEN				
		3 PLACES	± 0.03	TNAKATA	2016/04/08					
		2 PLACES	± 0.05	CHK'D BY	DATE	PRODUCT CUSTOMER DRAWING				
	1 PLACE	± 0.1	THANYU	2016/08/08						
	0 PLACES	± 0.2	APPR BY	DATE	SERIES	MATERIAL NUMBER	CUSTOMER			
			YNOGAWA	2016/08/09	201493	2014932100	GENERAL			
			DRAFT WHERE APPLICABLE MUST REMAIN WITHIN DIMENSIONS		DRAWING SIZE	THIRD ANGLE PROJECTION	DOCUMENT NUMBER	DOC TYPE	DOC PART	SHEET NUMBER
A	REV				A3		2014932100	PSD	000	2 OF 2

9 8 7 6 5 4 3 2 1