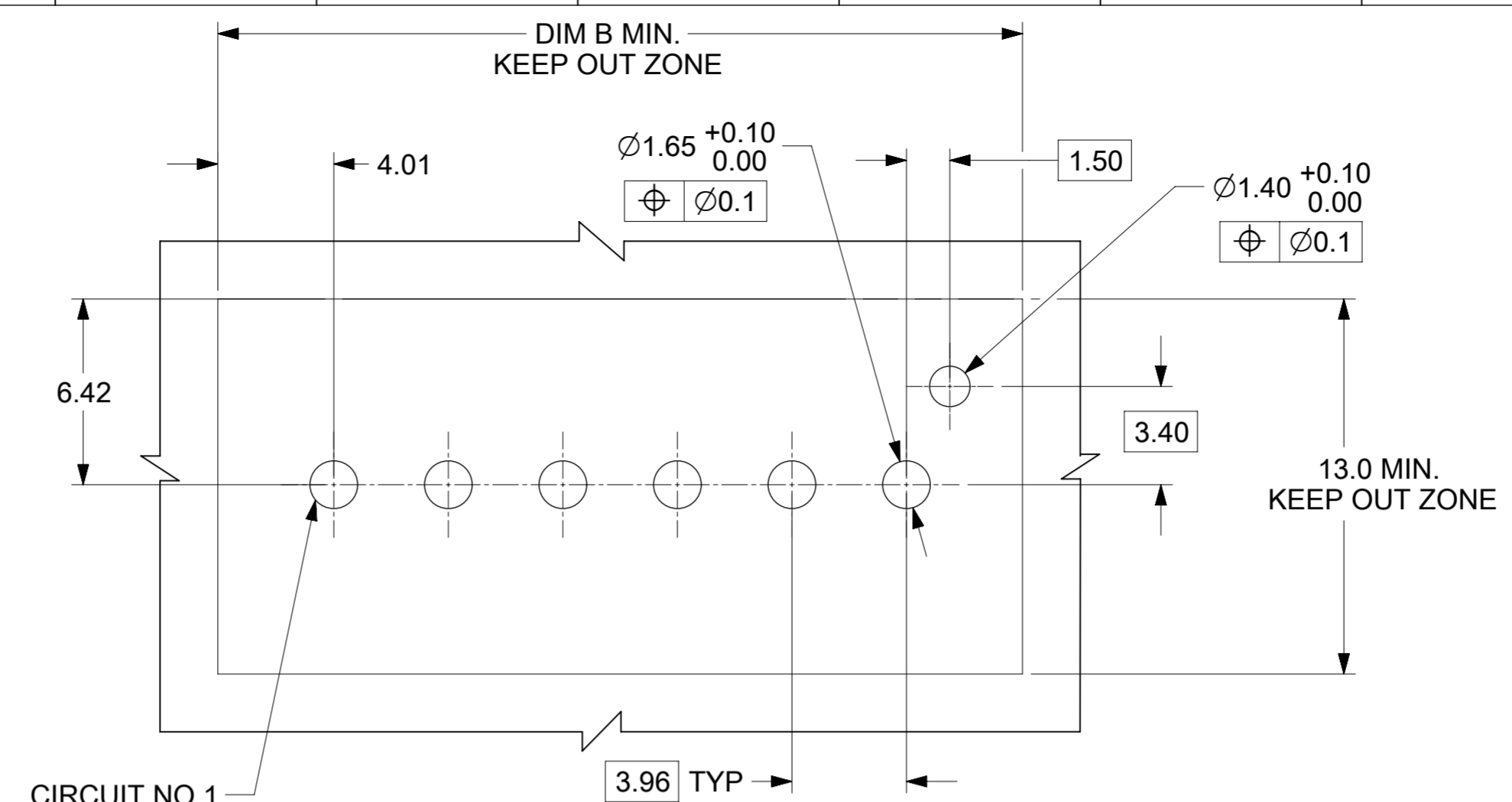
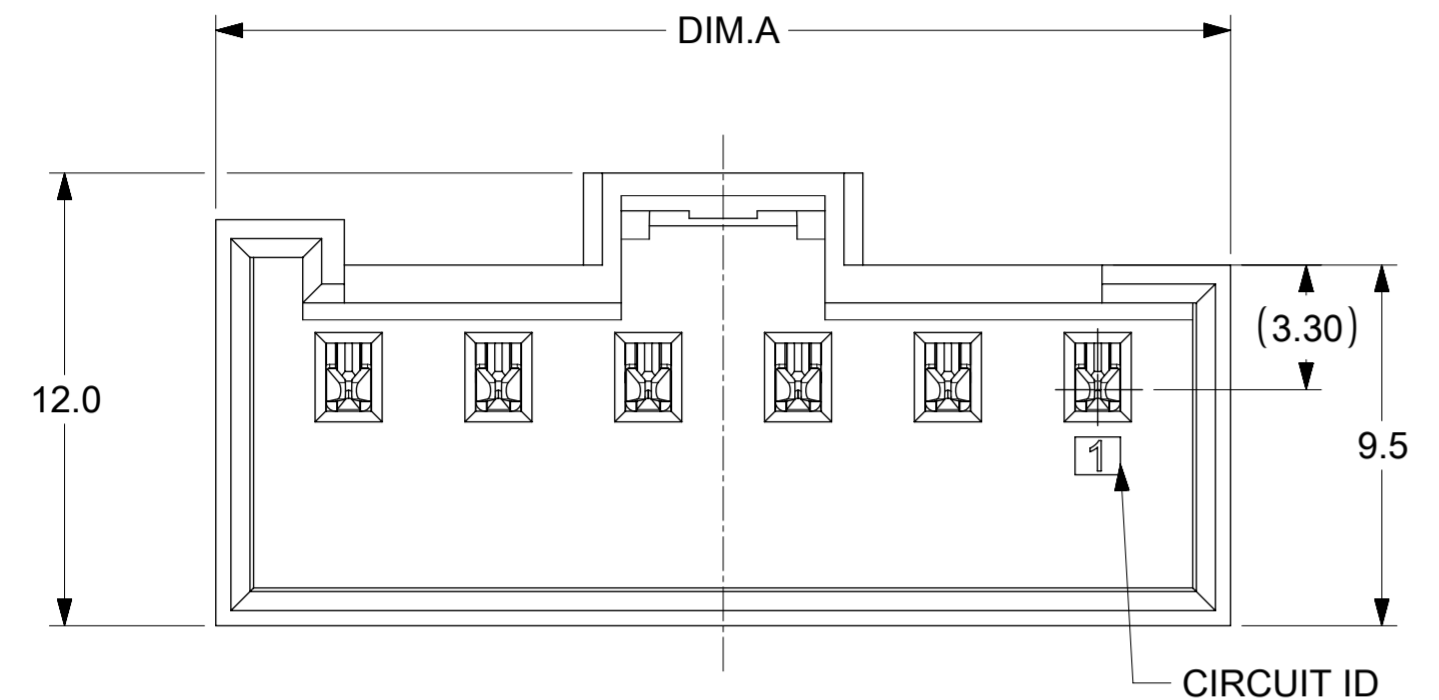
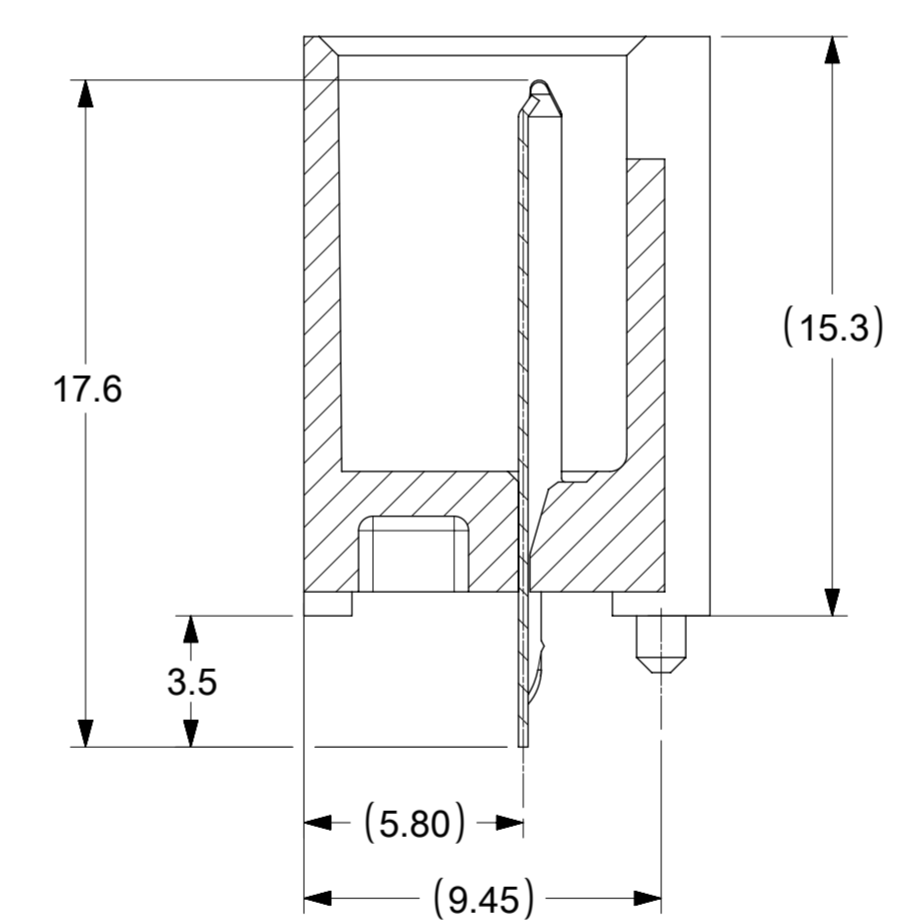
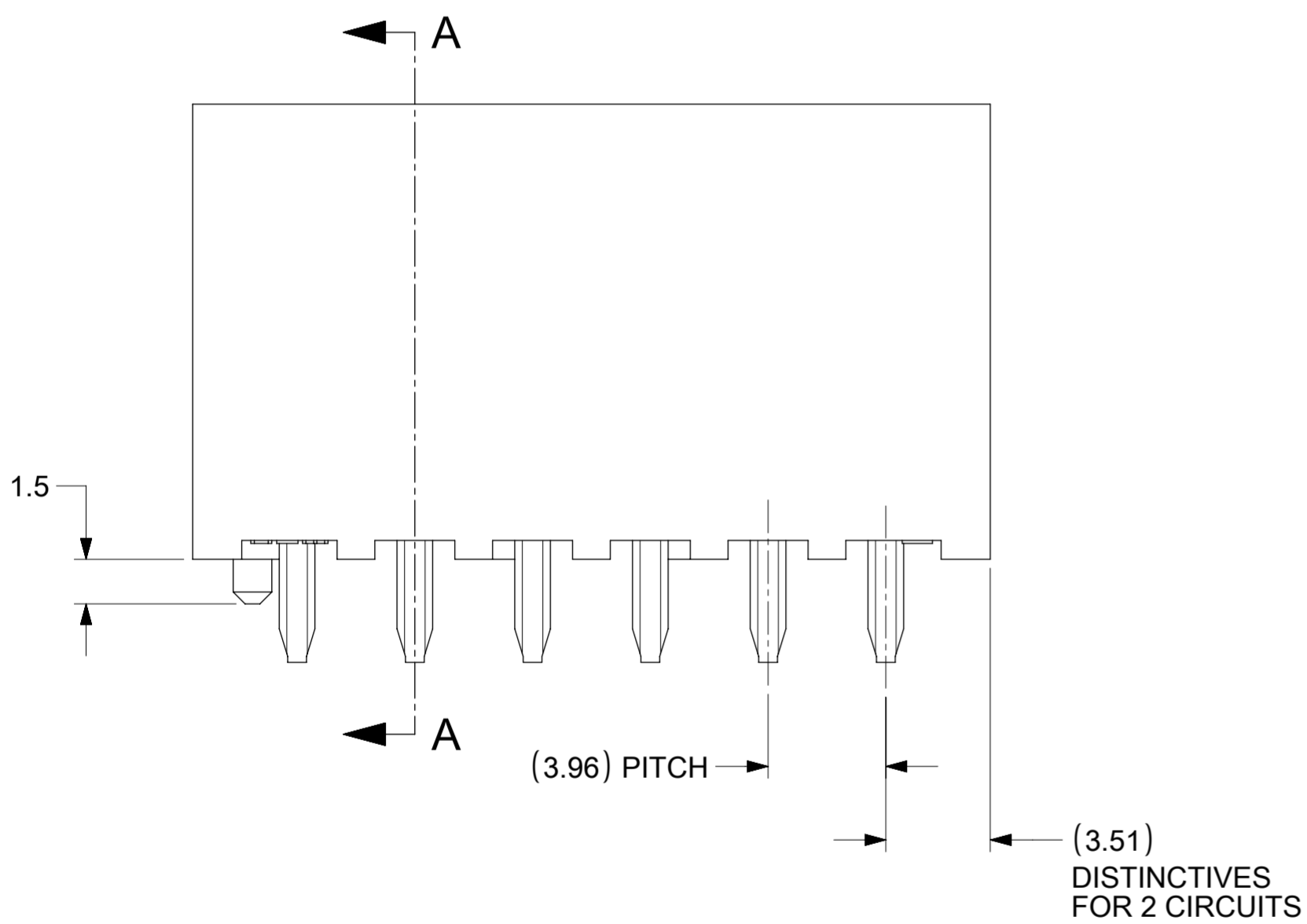
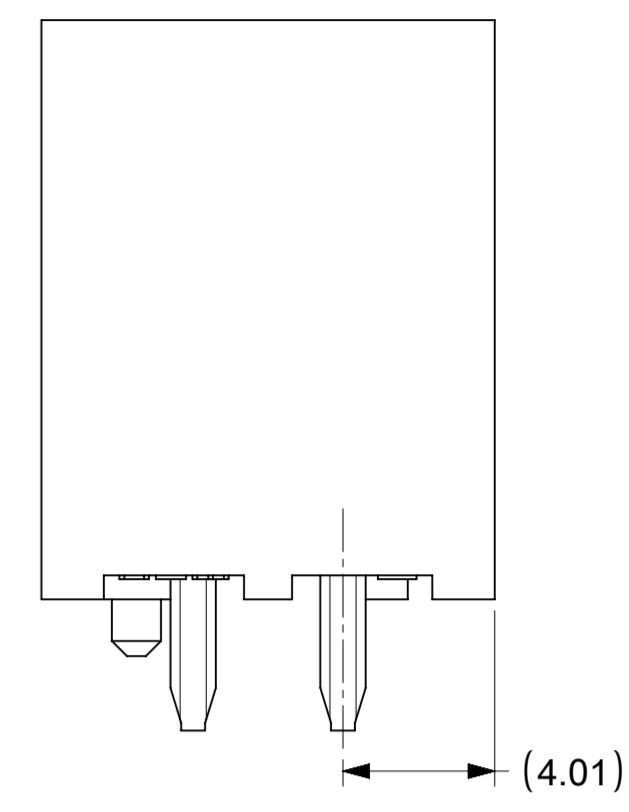


CIRCUIT SIZE	HEADER ASSY P/N	DIM. A	DIM. B
02	2074790002	11.99	12.99
03	2074790003	14.95	15.95
04	2074790004	18.91	19.91
05	2074790005	22.88	23.88
06	2074790006	26.84	27.84

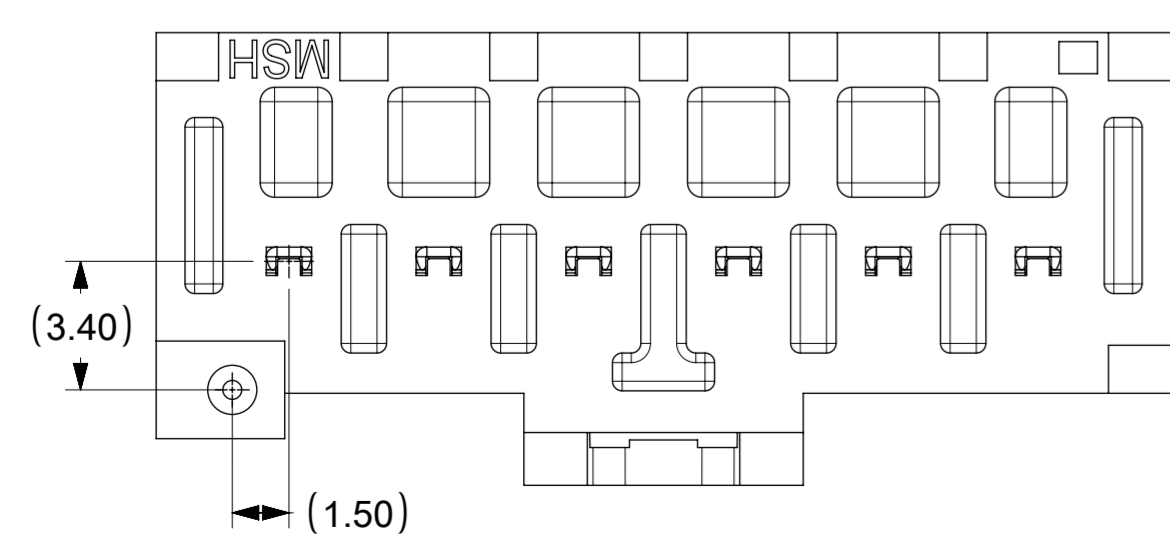
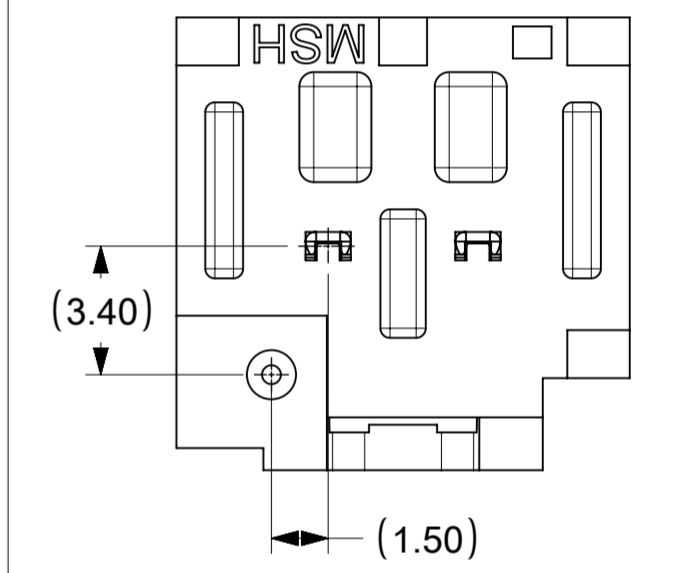


PCB FOR SHROUDED HEADER ASSEMBLY
PCB LAYOUT VIEWED FROM THE SOLDERING SIDE
(RECOMMENDED PCB THICKNESS : 1.60mm)

DISTINCTIVES FOR 2-CIRCUITS



SECTION A-A

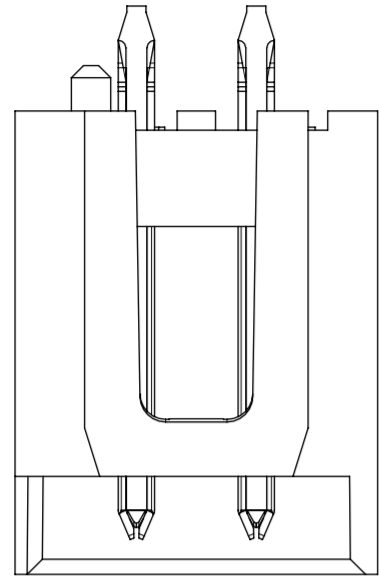


- NOTES:
- MATERIAL:
 - HOUSING: LIQUID CRYSTAL POLYMER. RATED UL94V-0, COLOR-BLACK
 - TERMINAL: BRASS ALLOY PLATING: TIN OVER COPPER OVERALL
 - PRODUCT SPECIFICATION: 2074580000-PS
 - PACKAGING SPECIFICATION: 2074790000-PK
 - COSMETIC SPECIFICATION: PS-45499-002 CLASS B

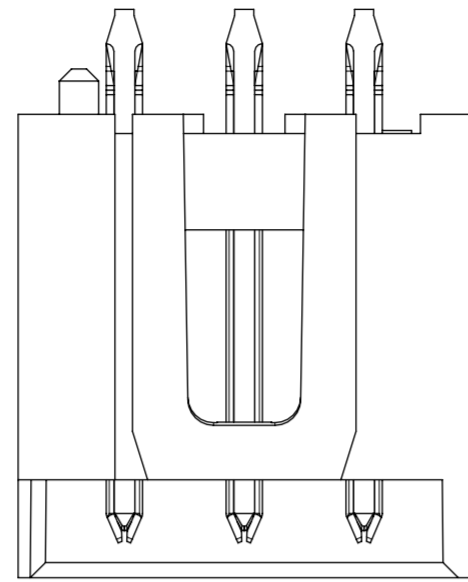
THIS DRAWING CONTAINS INFORMATION THAT IS PROPRIETARY TO MOLEX ELECTRONIC TECHNOLOGIES, LLC AND SHOULD NOT BE USED WITHOUT WRITTEN PERMISSION									
DIMENSION UNITS		SCALE		CURRENT REV DESC:					
mm		5:1							
GENERAL TOLERANCES (UNLESS SPECIFIED)				EC NO: 706747					
ANGULAR TOL ± 0.5°				4 PLACES ±		DRWN: SHRUTJ		2022/04/27	
3 PLACES ±				3 PLACES ±		CHK'D: SHRUTJ		2022/05/13	
2 PLACES ± 0.2				2 PLACES ± 0.25		APPR: ISHWARG		2022/05/13	
1 PLACE ±				0 PLACES ±		INITIAL REVISION:			
DRAFT WHERE APPLICABLE MUST REMAIN WITHIN DIMENSIONS				THIRD ANGLE PROJECTION		DRAWING		SERIES	
				A2-SIZE		207479		2018/09/19	
						2019/02/05		2019/02/05	
DOCUMENT NUMBER		DOC TYPE		DOC PART		REVISION			
2074790000-SD		PSD		000		C2			
MATERIAL NUMBER		CUSTOMER		SHEET NUMBER					
SEE TABLE		GENERAL MARKET		1 OF 2					

POLARIZATION

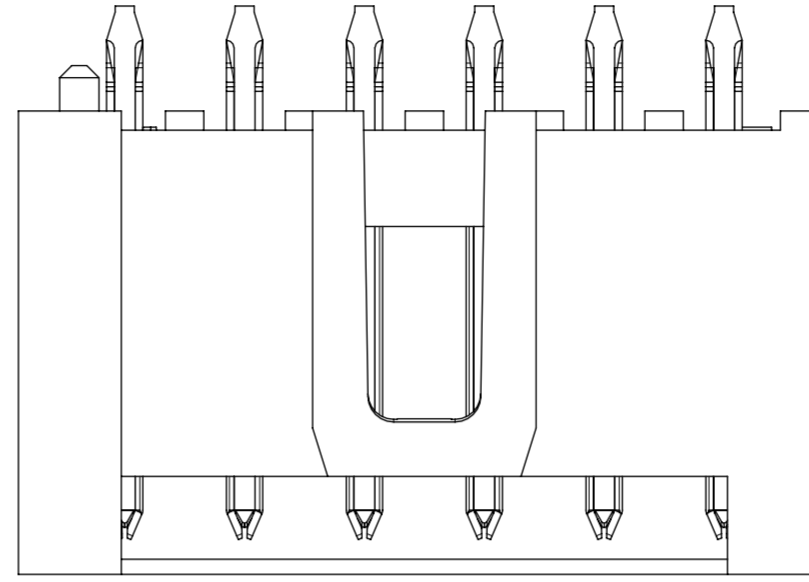
2 CKT



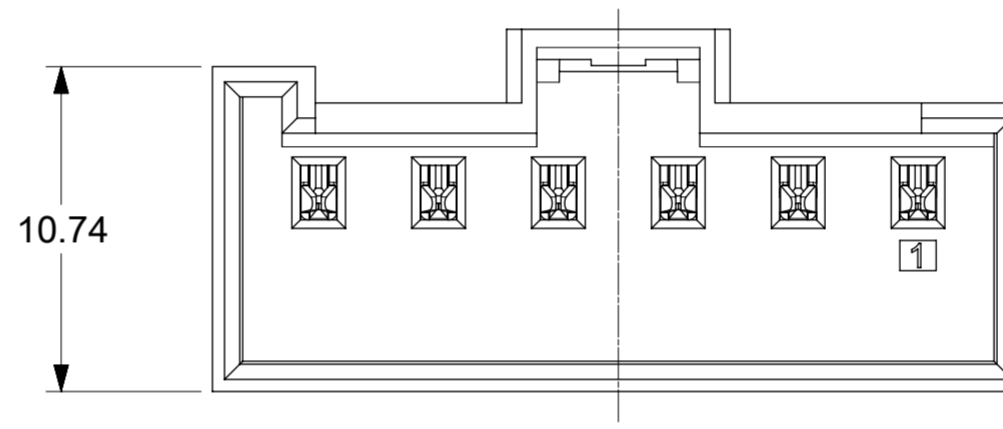
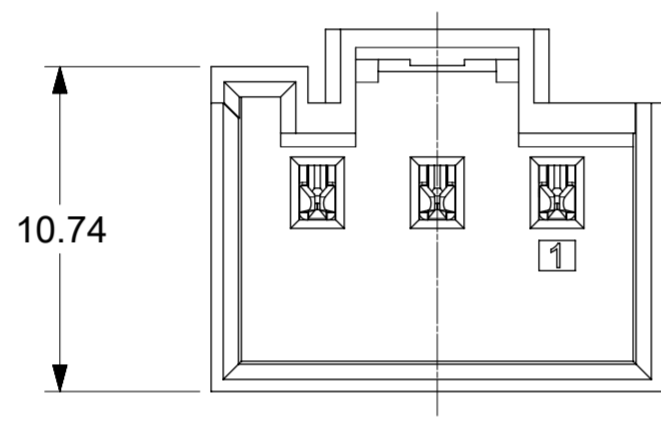
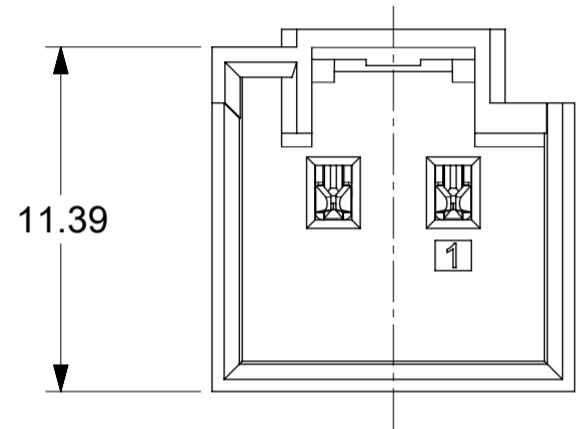
3 CKT



4 TO 6 CKT

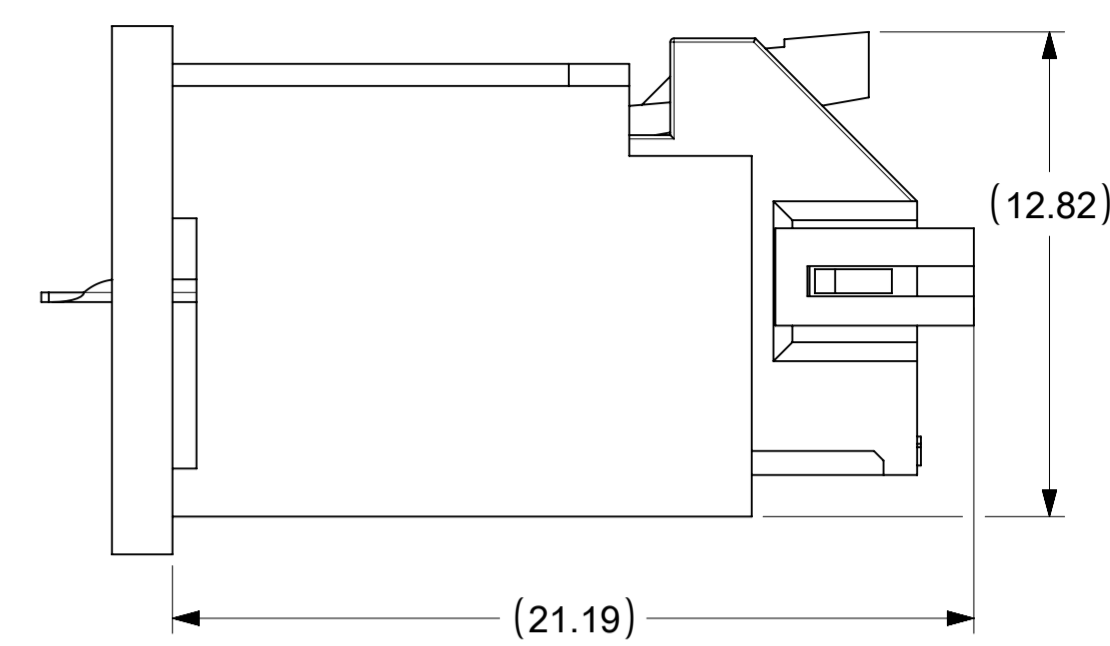


3.4

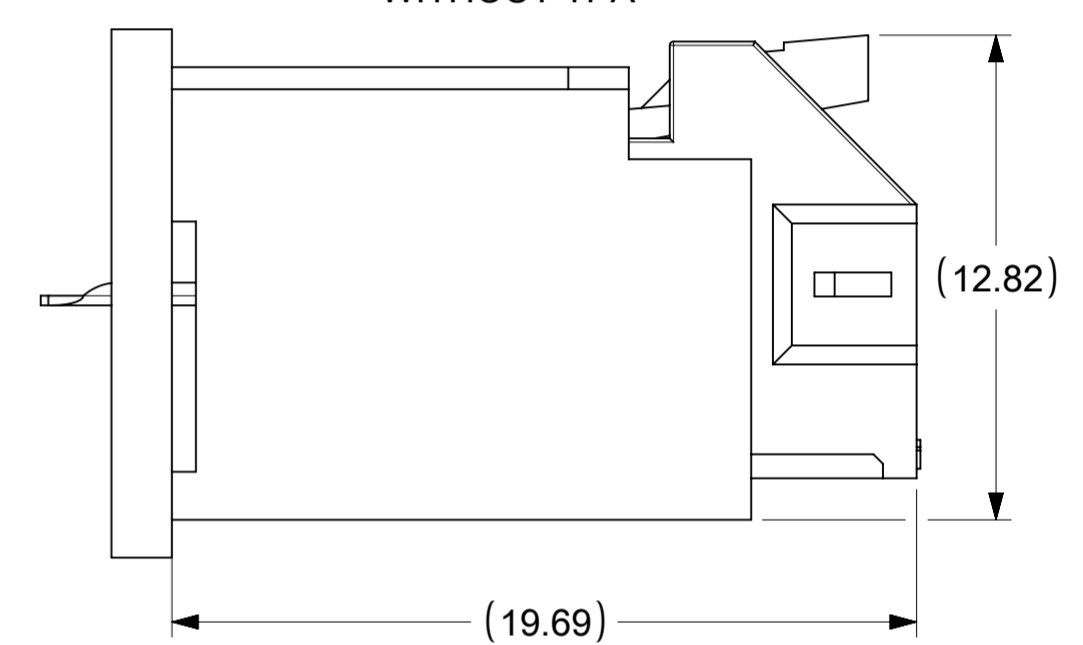


ASSEMBLY DIMENSIONS

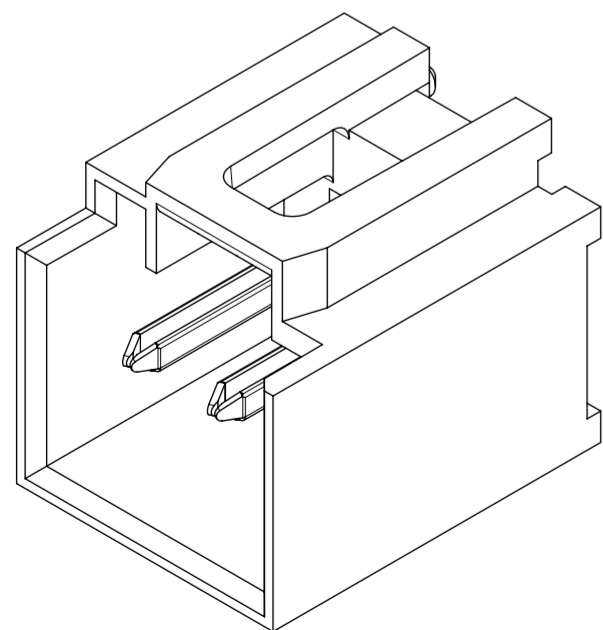
WITH TPA



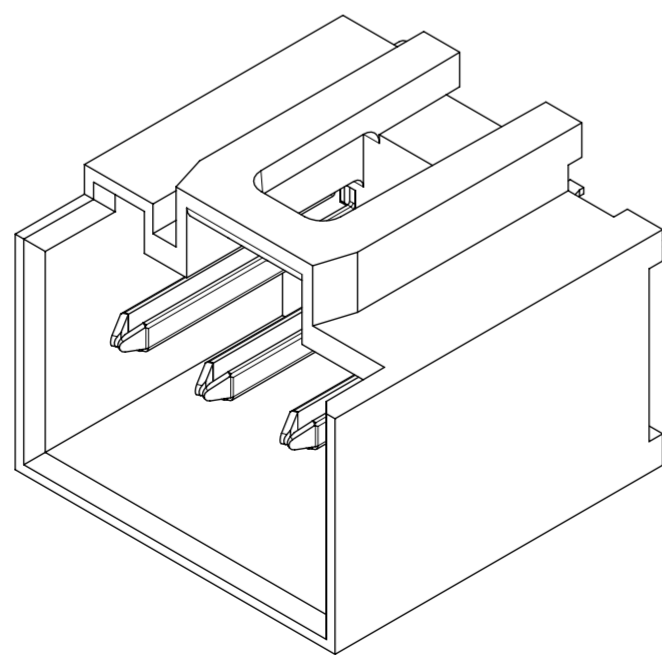
WITHOUT TPA



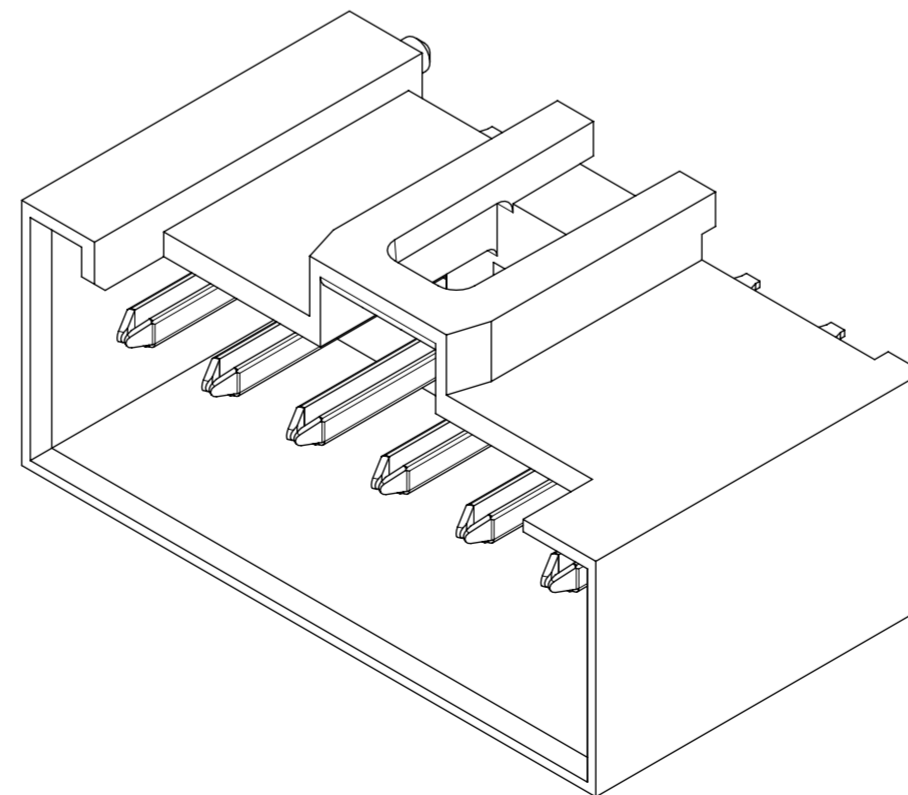
ISOMETRIC VIEW 2 CKT



ISOMETRIC VIEW 3 CKT



ISOMETRIC VIEW 6 CKT



THIS DRAWING CONTAINS INFORMATION THAT IS PROPRIETARY TO MOLEX ELECTRONIC TECHNOLOGIES, LLC AND SHOULD NOT BE USED WITHOUT WRITTEN PERMISSION

DIMENSION UNITS	SCALE	CURRENT REV DESC:					
mm	4:1						
GENERAL TOLERANCES (UNLESS SPECIFIED)				EC NO: 706747 DRWN: SHRUTJ 2022/04/27 CHK'D: SHRUTJ 2022/05/13 APPR: ISHWARG 2022/05/13			
ANGULAR TOL ± 0.5°				PRODUCT CUSTOMER DRAWING			
4 PLACES ±				DOCUMENT NUMBER			
3 PLACES ±				2074790000-SD			
2 PLACES ± 0.2				DOC TYPE DOC PART REVISION			
1 PLACE ± 0.25				PSD 000 C2			
0 PLACES ±				INITIAL REVISION:			
DRAFT WHERE APPLICABLE MUST REMAIN WITHIN DIMENSIONS				DRWN: GGUNAGI 2018/09/19 APPR: NCSR 2019/02/05			
THIRD ANGLE PROJECTION		DRAWING	SERIES	MATERIAL NUMBER	CUSTOMER	SHEET NUMBER	
		A2-SIZE	207479	SEE TABLE	GENERAL MARKET	2 OF 2	

DOCUMENT STATUS	P1	RELEASE DATE	2022/05/13	18:11:36
-----------------	----	--------------	------------	----------