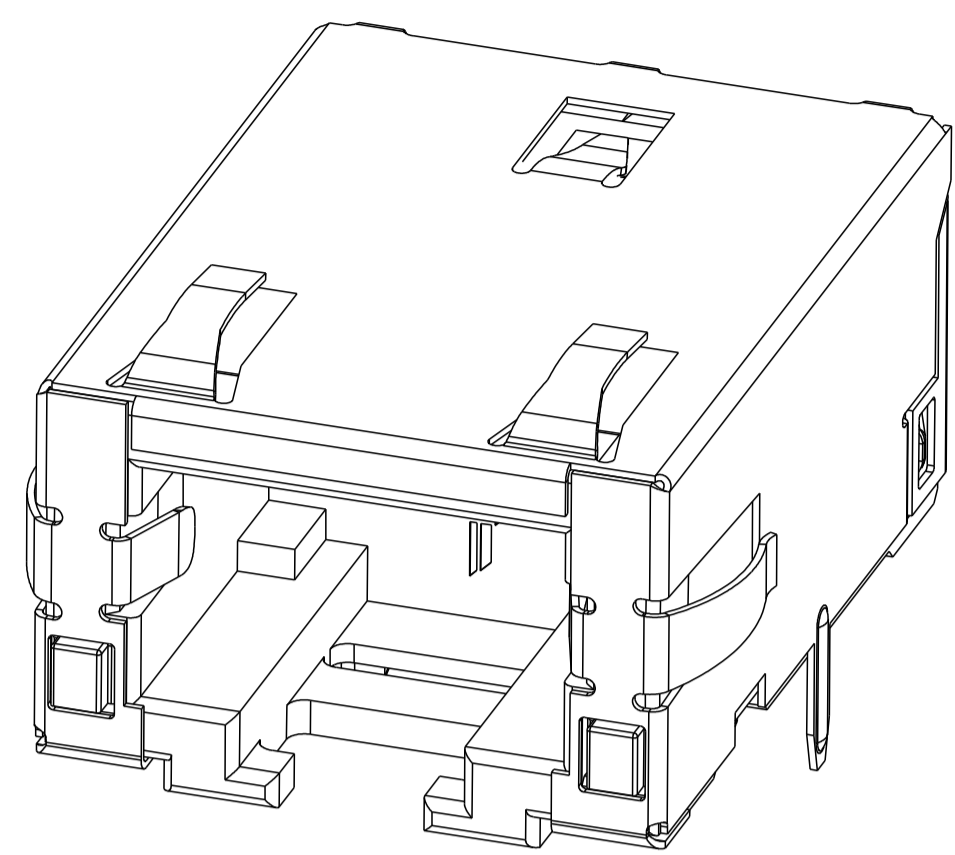
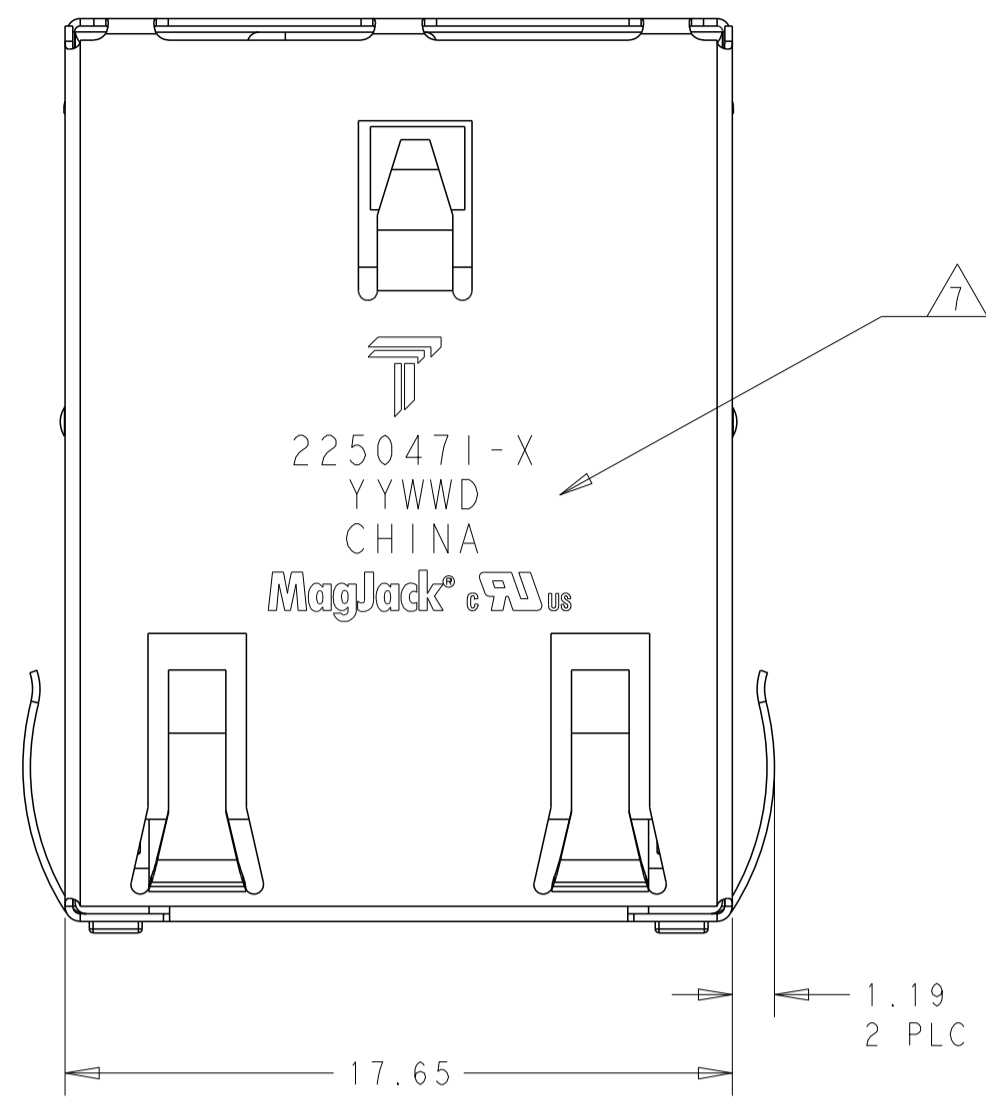


THIS DRAWING AND THE SUBJECT MATTER SHOWN THEREON ARE CONFIDENTIAL AND THE PROPERTY OF BEL/STEWART/TRP CONNECTOR AND SHALL NOT BE REPRODUCED, COPIED, OR USED IN ANY MANNER WITHOUT THE WRITTEN CONSENT OF TRP CONNECTOR.

PRODUCT MAY BE PROTECTED BY ONE OR MORE OF THE FOLLOWING US PATENTS:
 5736910 5939955 6425781 6428361 6554638 6840817 7123117
 7429195 7717749 7808751 6217391 6149050 7924130

REVISIONS				
P	LTN	DESCRIPTION	DATE	APPV
2		SEE LAST SHEET	07JAN2019	TRY TY



1. MATERIALS:
- HOUSING: HIGH TEMPERATURE NYLON, BLACK, UL 94V-0
 - SHIELD: 0.20mm THICK, BRASS PREPLATED WITH 0.76 um MIN SEMI-BRIGHT NICKEL; POST-DIPPED WITH 2 um MIN TIN
 - CONTACT TAILS: 0.25mm THICK, PHOSPHOR BRONZE, 1.27 um MIN OVERALL NICKEL UNDERPLATE, WITH 1.27 um MIN GOLD PLATING AT MATING INTERFACE, 3 um MIN TIN PLATE ON SOLDER TAILS
 - MOD JACK CONTACTS: 0.3mm THICK, PHOSPHOR BRONZE, 1.27 um MIN OVERALL NICKEL UNDERPLATE, WITH 1.27 um MIN LOCALIZED GOLD PLATE AT PLUG INTERFACE
 - LIGHT PIPE: POLYETHER SULFONE

2. RJ45 JACK CAVITY CONFORMS TO FCC RULES AND REGULATIONS PART 68, SUB-PART F.

3. MAGNETICS:
- APPLICATION: 10/100/1000 BASE-T
 - IMPEDANCE: 100 OHMS
 - TURNS RATIO (CHIP:CABLE): 1:1 ALL FOUR PAIRS
 - OPEN CIRCUIT INDUCTANCE (OCL): 350 uH MIN @ 100kHz, 0.1VRMS, FROM 0°C TO 70°C, ALL FOUR PAIRS
 - ALL FOUR PAIRS BI-DIRECTIONAL
 - PERFORMANCE @ 25°C:
 - INSERTION LOSS (IL): 1.1dB MAX FROM 0.5MHz TO 100MHz
 - RETURN LOSS (RL): 18dB MIN FROM 0.5 MHz TO 40MHz
 - 12-20LOG(f/80)dB MIN FROM 40.1MHz TO 100MHz
 - CROSSTALK ATTENUATION: 35dB MIN FROM 0.5MHz TO 40MHz
 - 33-20LOG(f/50)dB MIN FROM 40.1MHz TO 100MHz
 - COMMON MODE REJECTION RATION (CMRR): 30dB MIN FROM 0.5MHz TO 100MHz
 - ISOLATION VOLTAGE: 2250VDC FOR 60 SECONDS WITH A RISE TIME OF 500V/SEC.

4. OPERATING TEMPERATURE: FROM 0°C TO 70°C

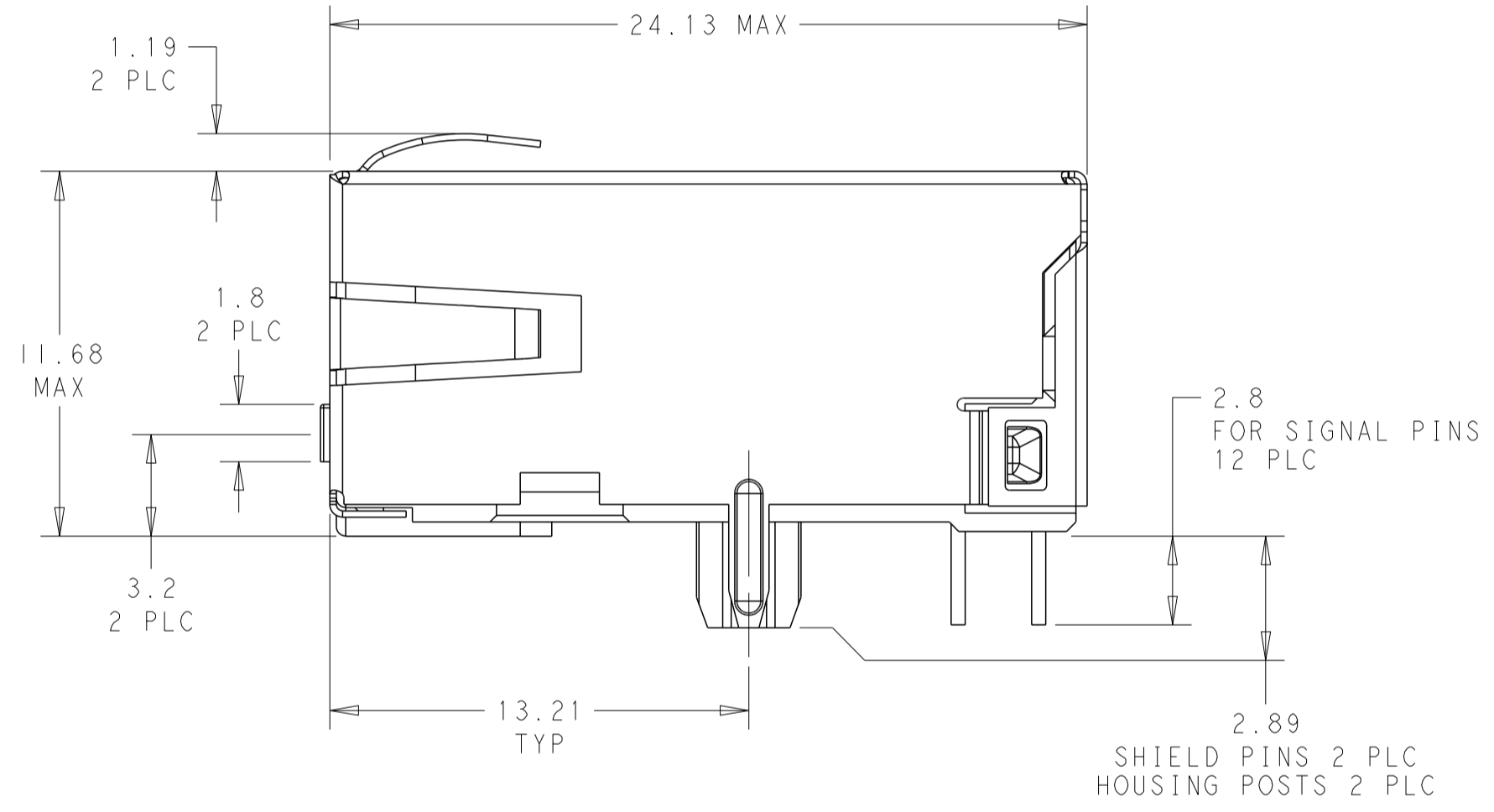
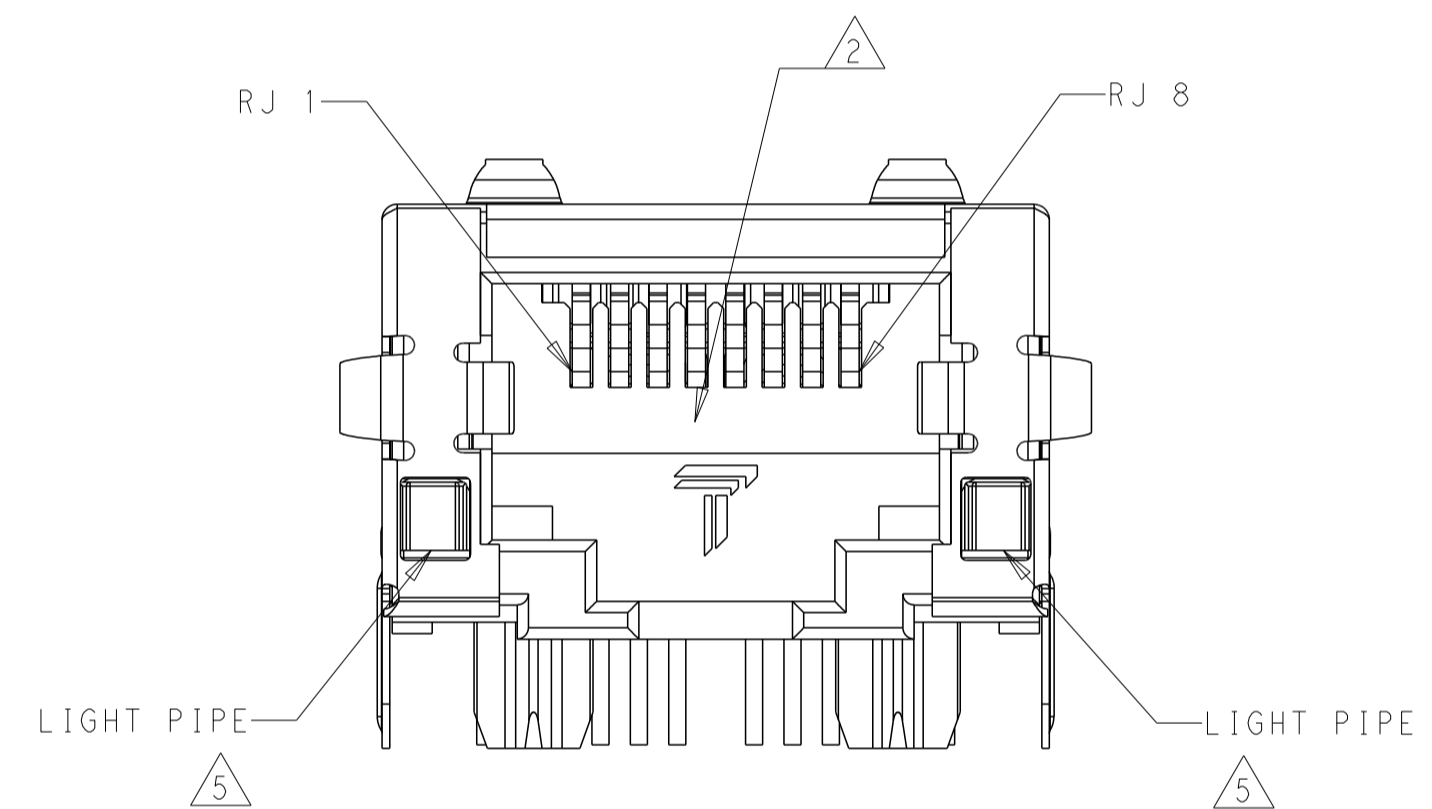
5. LIGHT PIPES ARE USED TO TRANSMIT LIGHT OF SMD LED'S MOUNTED ON CUSTOMER BOARD.

6. ALL DIMENSIONS ARE NOMINAL UNLESS OTHERWISE NOTED.

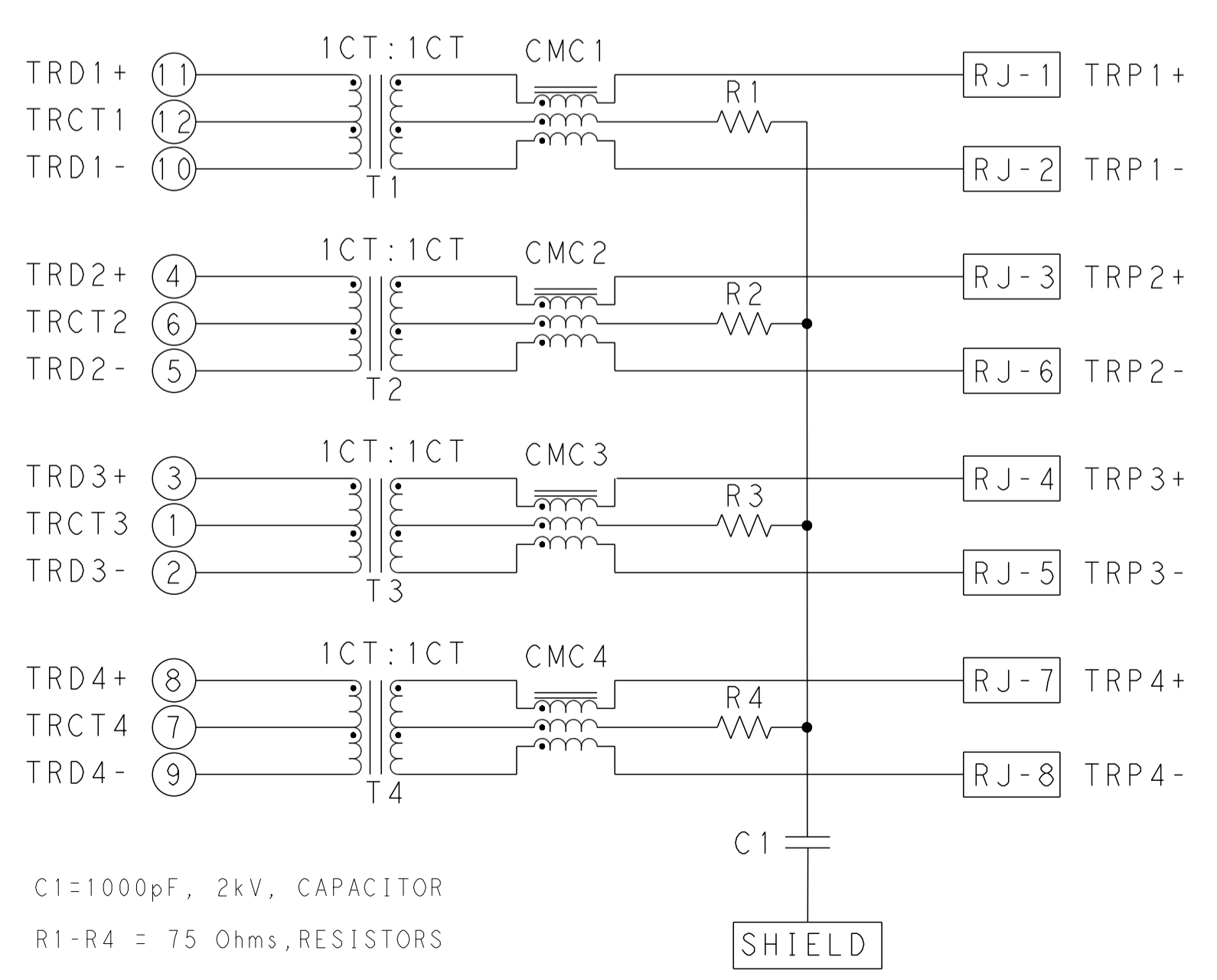
7. TRP CONNECTOR LOGO, PART NUMBER, DATE CODE, COUNTRY OF ORIGIN, AND AGENCY APPROVAL MARKING IN APPROXIMATE LOCATION SHOWN, DATE CODE: YYWW WHERE YY IS YEAR, WW IS WORK WEEK, D IS DAY OF WEEK, WITH SUNDAY=1.

8. PART SHOULD BE COMPLIANT TO WAVE SOLDERING PROCESS, PREHEAT TEMPERATURE IS 120°C TO 160°C, 120 SECONDS TO 180 SECONDS, PEAK SOLDERING TEMPERATURE IS 260°C MAX, 10 SECONDS MAX

9. PART SHOULD BE COMPLIANT TO IR REFLOW SOLDERING PROCESS, PEAK SOLDERING TEMPERATURE 260°C MAX, DURATION TIME 10 SECONDS MAX, OVER 230°C WITHIN 40-60 SECONDS.

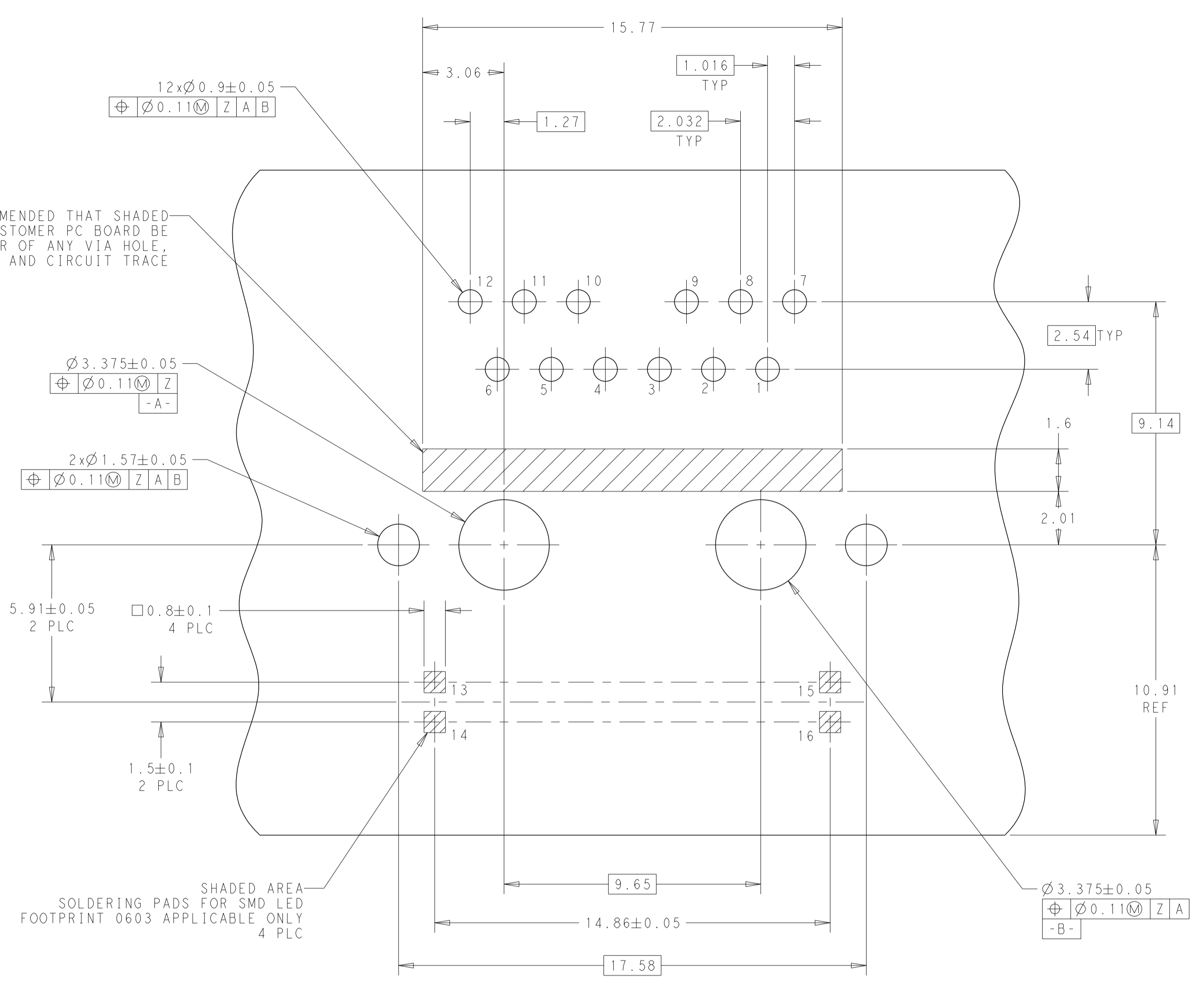


8G18L GIGABIT CIRCUIT



REFLOW	TAPE AND REEL	2250471-2
WAVE	TRAY	2250471-1
SOLDERING PROCESS	PACKAGE METHOD	PART NO.

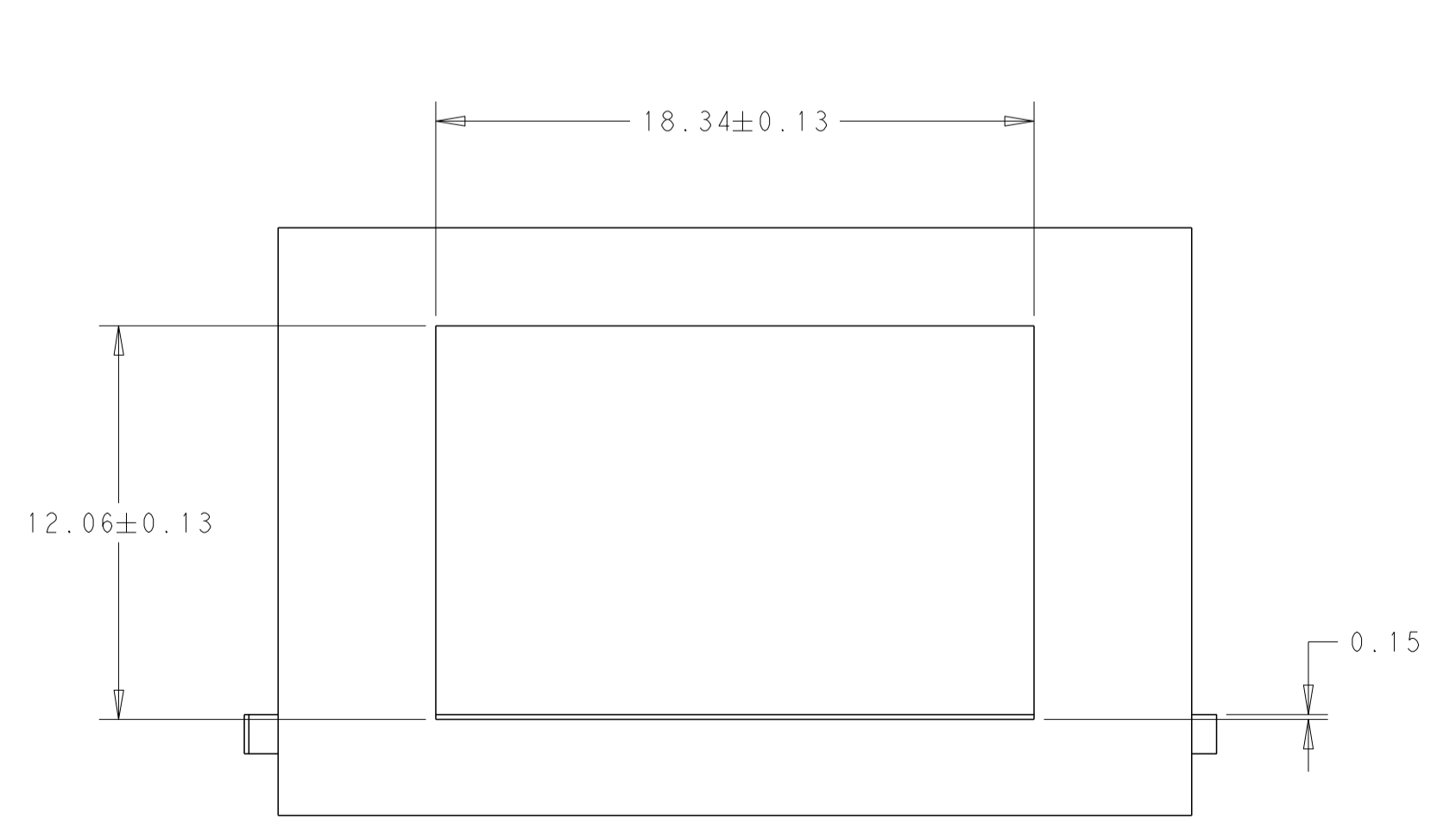
THIS DRAWING IS A CONTROLLED DOCUMENT. AND COMPLIANT TO ASME Y14.5M		DWN: DALE PAN / FRANK LIU CHK: TOWER YU / BILL LIU APPV: TONY YUAN DATE: 21NOV2016	DONGGUAN CHINA
DIMENSIONS: mm TOLERANCES UNLESS OTHERWISE SPECIFIED: 0 PLC ±0.25 1 PLC ±0.25 2 PLC ±0.25 3 PLC ±0.25 4 PLC ±0.25 ANGLES ±° PRODUCT SPEC APPLICATION SPEC	MODEL NAME: MAGJACK DESC: 1X1 GIGABIT 8G18L TAB DOWN LOW PROFILE NO LED W/ LIGHT PIPE SIZE: A1 CAGE CODE: C=2250471 DRAWING NO: 108-104004	CUSTOMER DRAWING SCALE: 5:1 SHEET: 1 OF 3 REV: 2	



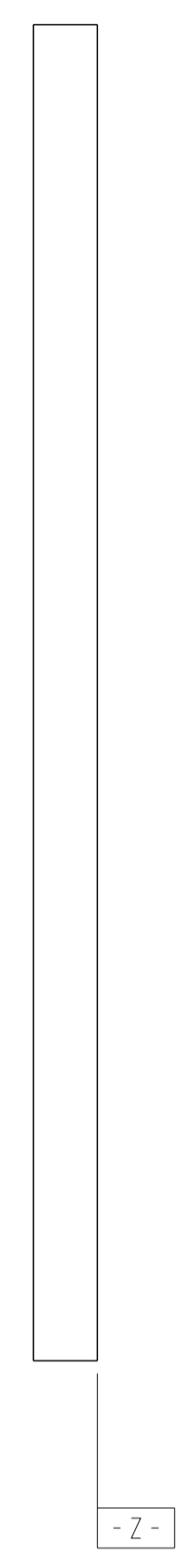
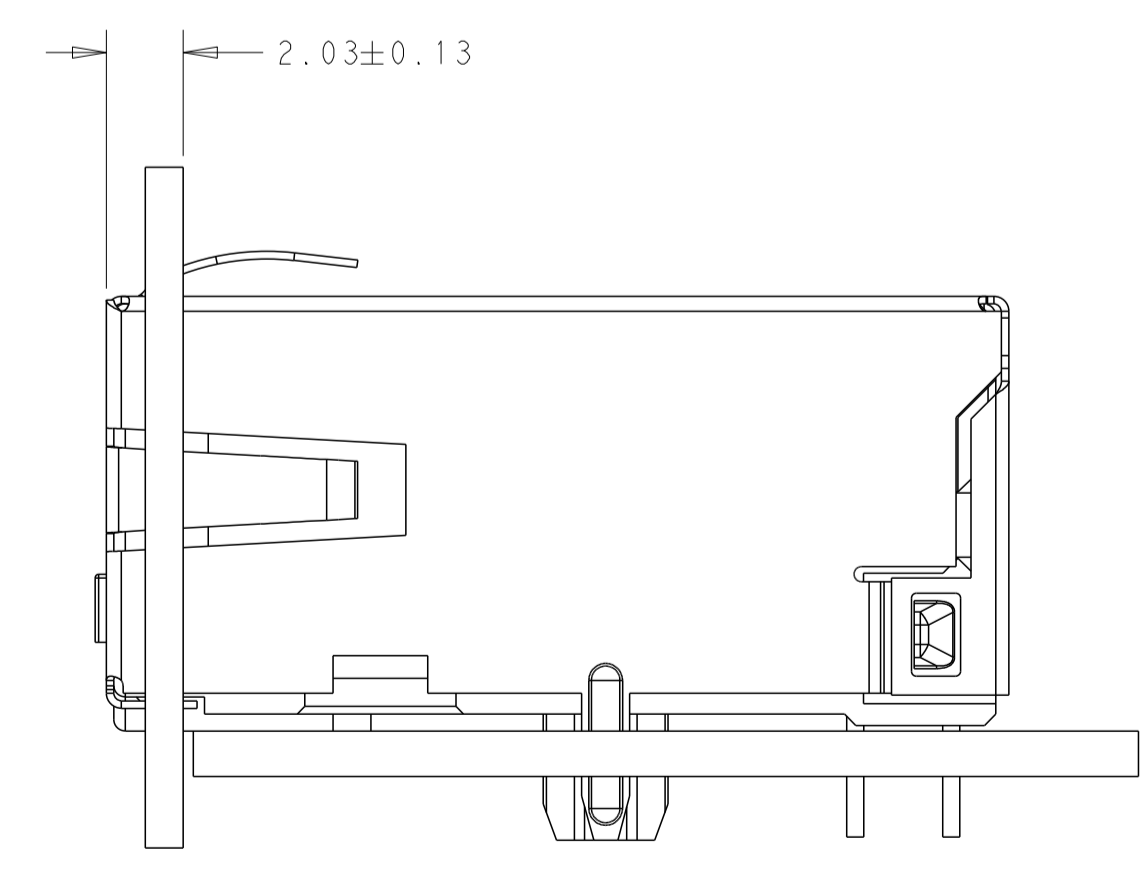
IT IS RECOMMENDED THAT SHADED AREA OF CUSTOMER PC BOARD BE CLEAR OF ANY VIA HOLE, COMPONENT AND CIRCUIT TRACE


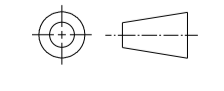
SHADED AREA SOLDERING PADS FOR SMD LED FOOTPRINT 0603 APPLICABLE ONLY 4 PLC

SUGGESTED PCB LAYOUT (COMPONENT SIDE)


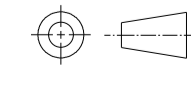


SUGGESTED PANEL CUTOUT



THIS DRAWING IS A CONTROLLED DOCUMENT. AND COMPLIANT TO ASME Y14.5M		DWN: DALE PAN / FRANK LIU 21NOV2016 CHK: TOWER YU / BILL LIU 21NOV2016 APP'D: TONY YUAN 21NOV2016		 DONGGUAN CHINA
DIMENSIONS: mm		TOLERANCES UNLESS OTHERWISE SPECIFIED:		
		0 PLC ±0.25 1 PLC ±0.25 2 PLC ±0.25 3 PLC ±0.25 4 PLC ±0.25 ANGLES ±° APPLICATION SPEC ±°		MODEL NAME: MAGJACK DESC: 1X1 GIGABIT 8G18L TAB DOWN LOW PROFILE NO LED W/ LIGHT PIPE
PRODUCT SPEC: 108-104004		SIZE: A1 CAGE CODE: C=2250471 DRAWING NO: CUSTOMER DRAWING		RESTRICTED TO: -
		SCALE: 5:1		SHEET 2 OF 3 REV 2

C_2250471				STOCK DISPOSITION				
				A: CONTINUE AS IS		D: USE OLD FIRST		
				B: REWORK		E: PARTS TO CONFORM		
				C: SCRAP		F: OTHER		
REVISION HISTORY								
DATE	REV	CHANGES	REASON	APPROVAL	INVENTORY (A,B,C,D,E,F)	WORK IN PROCESS (A,B,C,F)	SUPPLIER ORDERS (A,E,F)	OPEN CUST ORDERS (A,E,F)
21NOV2016	1	INITIAL RELEASE	-	TY	-	-	-	-
07JAN2019	2	ADD 2250471-2 FOR IR REFLOW AND TAPE AND REEL PACKAGE	CUSOTMER REQUEST	TONY YUAN	-	-	-	-

THIS DRAWING IS A CONTROLLED DOCUMENT. AND COMPLIANT TO ASME Y14.5M		OWN DALE PAN / FRANK LIU 21NOV2016	 trp CONNECTOR <small>a bel group</small>	DONGGUAN CHINA
DIMENSIONS: mm		CHK TOWER YU / BILL LIU 21NOV2016		DESC 1X1 GIGABIT 8G18L TAB DOWN LOW PROFILE NO LED W/ LIGHT PIPE
TOLERANCES UNLESS OTHERWISE SPECIFIED:		APP'D TONY YUAN 21NOV2016	MODEL NAME MAGJACK	RESTRICTED TO
 0 PLC ±0.25 1 PLC ±0.25 2 PLC ±0.25 3 PLC ± 4 PLC ± ANGLES APPLICATION SPEC		SIZE A1	CAGE CODE C=2250471	SCALE 5:1
PRODUCT SPEC 108-104004	APPLICATION SPEC	CUSTOMER DRAWING	SHEET 3 OF 3	REV 2