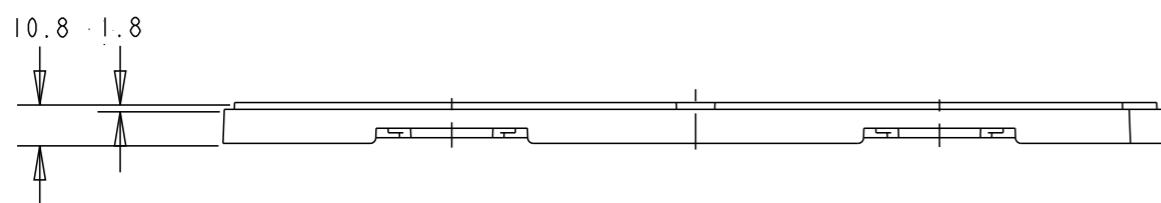
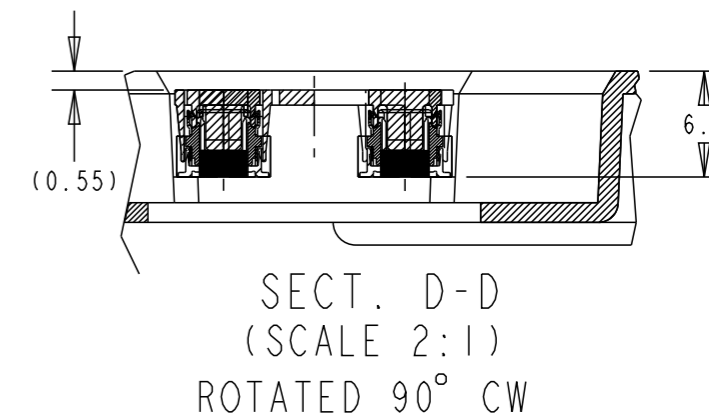
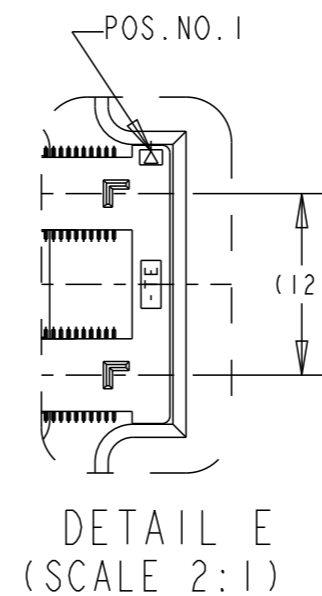
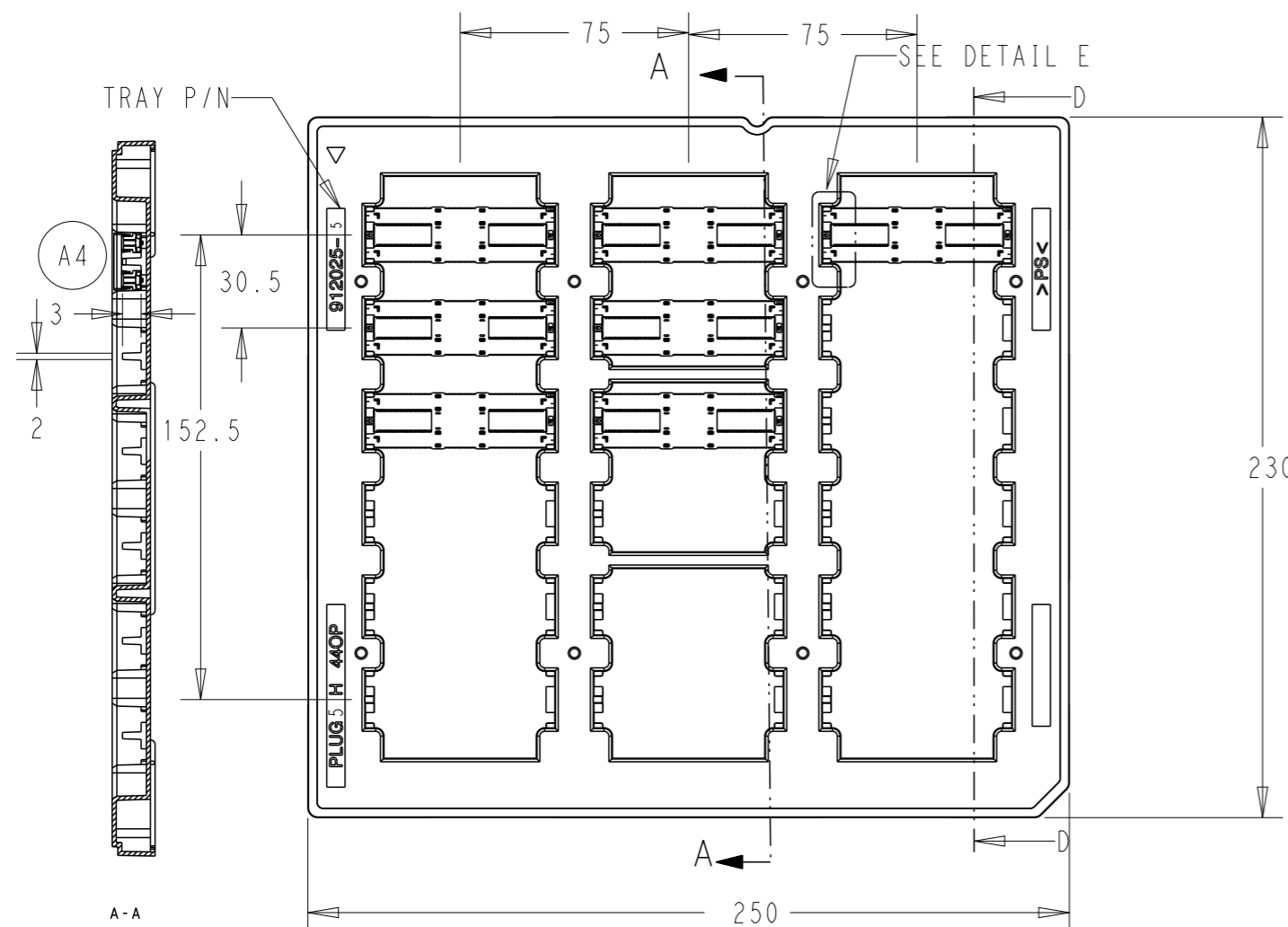


P	LTR	DESCRIPTION	DATE	DWN	APVD
A1		ECN-21-104438: CORRECT A TYPO	21MAY2021	A.L	H.L
A2		REVISE AS PER ECN-21-104567	25MAY2021	A.L	H.L
A3		REMOVE TRAY HOLE PER PCN-22-135638	20JUN2022	M.C	H.L
A4		PER PCN-22-157376	14NOV2022	M.C	H.L

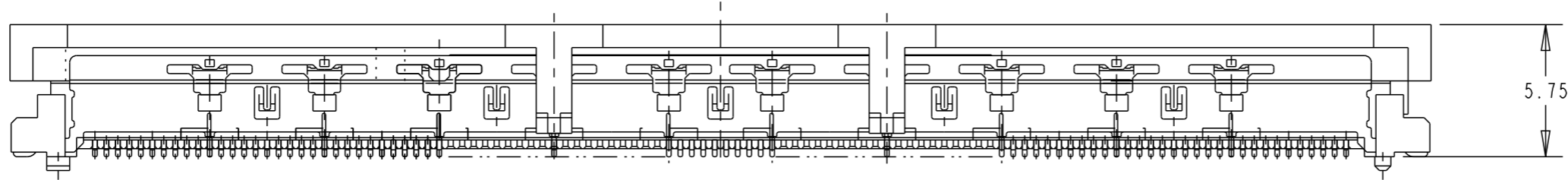
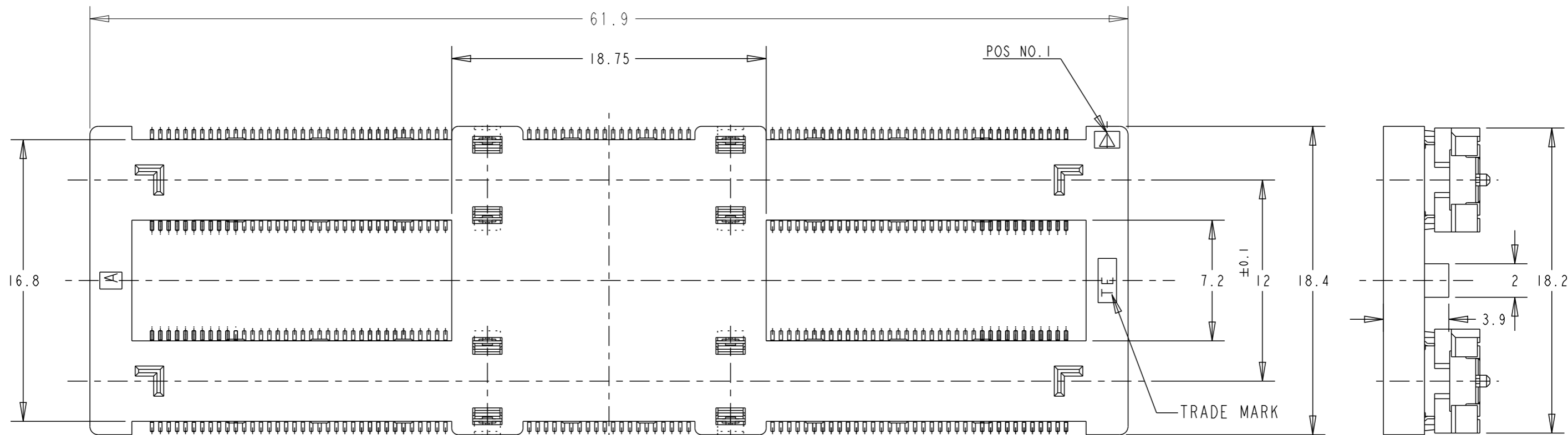



2369316-1
P/N

THIS DRAWING IS A CONTROLLED DOCUMENT.		DWN Art Lin 24FEB2020	TE Connectivity		
DIMENSIONS: mm		CHK HOPE LU 25FEB2020			
		TOLERANCES UNLESS OTHERWISE SPECIFIED:	APVD HOPE LU 25FEB2020	NAME 5H PLUG ASSY 440POS	
		0 PLC ±0.5 1 PLC ±0.3 2 PLC ±0.15 3 PLC ±0.050 4 PLC ±0.0250 ANGLES ±3	PRODUCT SPEC 108-32658	FH 0.5MM BTB 16Gbps	
MATERIAL SEE NOTE 1		FINISH SEE NOTE 2	APPLICATION SPEC 114-115003	SIZE A3	CAGE CODE 00779
			WEIGHT -	DRAWING NO C-2369316	RESTRICTED TO -
			CUSTOMER DRAWING	SCALE 1:1	SHEET 1 OF 4
				REV A4	

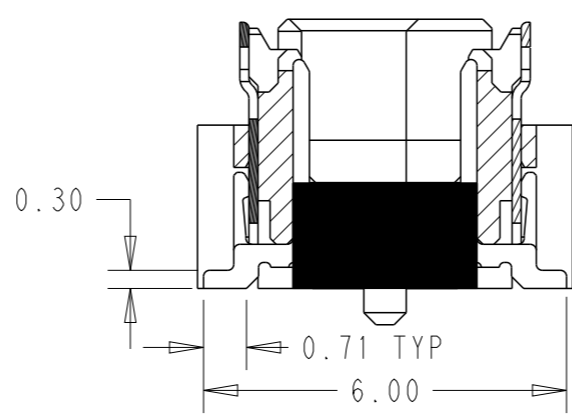
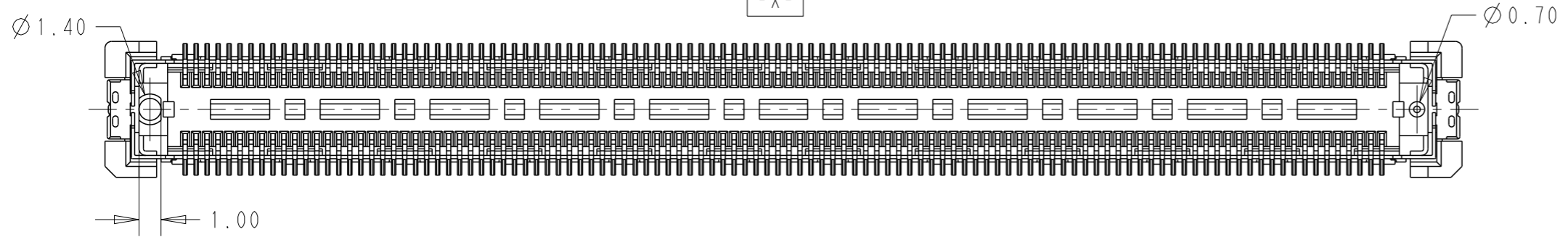
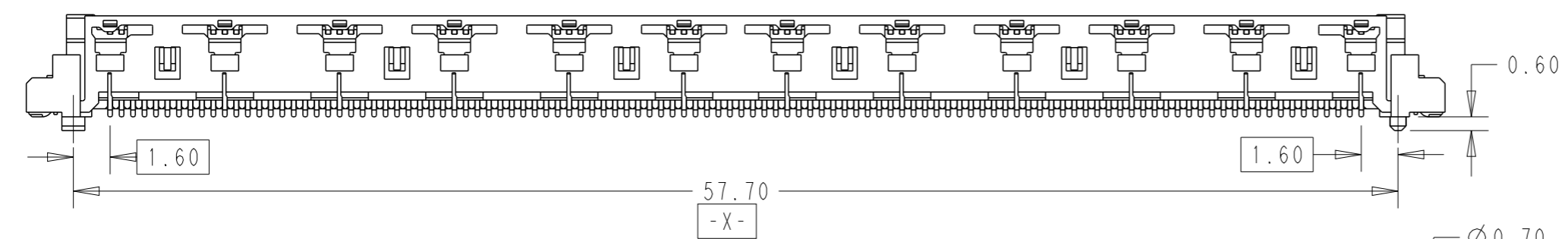
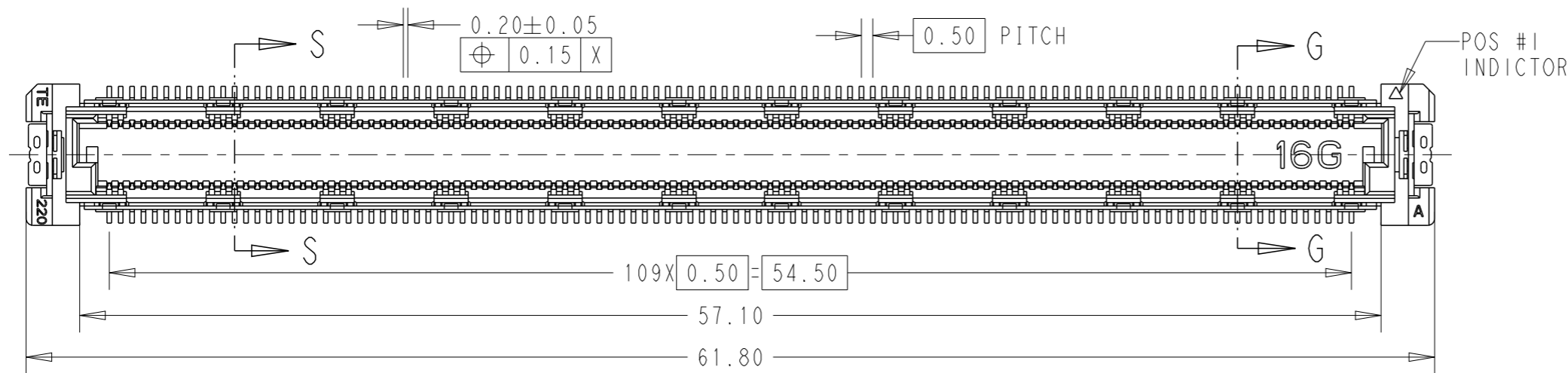
REVISIONS

P	LTR	DESCRIPTION	DATE	DWN	APVD
	-	SEE SHEET 1	-	-	-

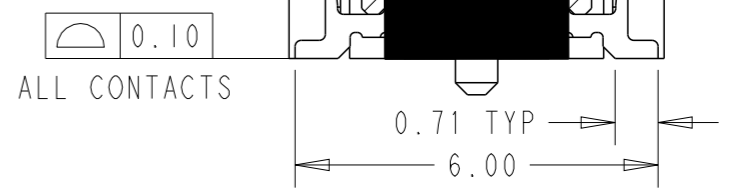


THIS DRAWING IS A CONTROLLED DOCUMENT.		DWN Art Lin 24FEB2020	 TE Connectivity	
DIMENSIONS: mm		CHK HOPE LU 25FEB2020		
TOLERANCES UNLESS OTHERWISE SPECIFIED:		APVD HOPE LU 25FEB2020	NAME 5H PLUG ASSY 440POS	
0 PLC ±0.5		PRODUCT SPEC 108-32658	FH 0.5MM BTB 16Gbps	
1 PLC ±0.3		APPLICATION SPEC 114-115003	SIZE A3	CAGE CODE 00779
2 PLC ±0.15		WEIGHT -	DRAWING NO C-2369316	RESTRICTED TO -
3 PLC ±0.050				
4 PLC ±0.0250				
ANGLES ±3				
MATERIAL -				
FINISH -				
SEE NOTE 1		CUSTOMER DRAWING		SCALE 1:1
SEE NOTE 2		SHEET 2 OF 4		REV A4

P	LTR	DESCRIPTION	DATE	DWN	APVD
		SEE SHEET 1			



SECTION S-S
SCALE 8:1
(SIGNAL CONTACTS)



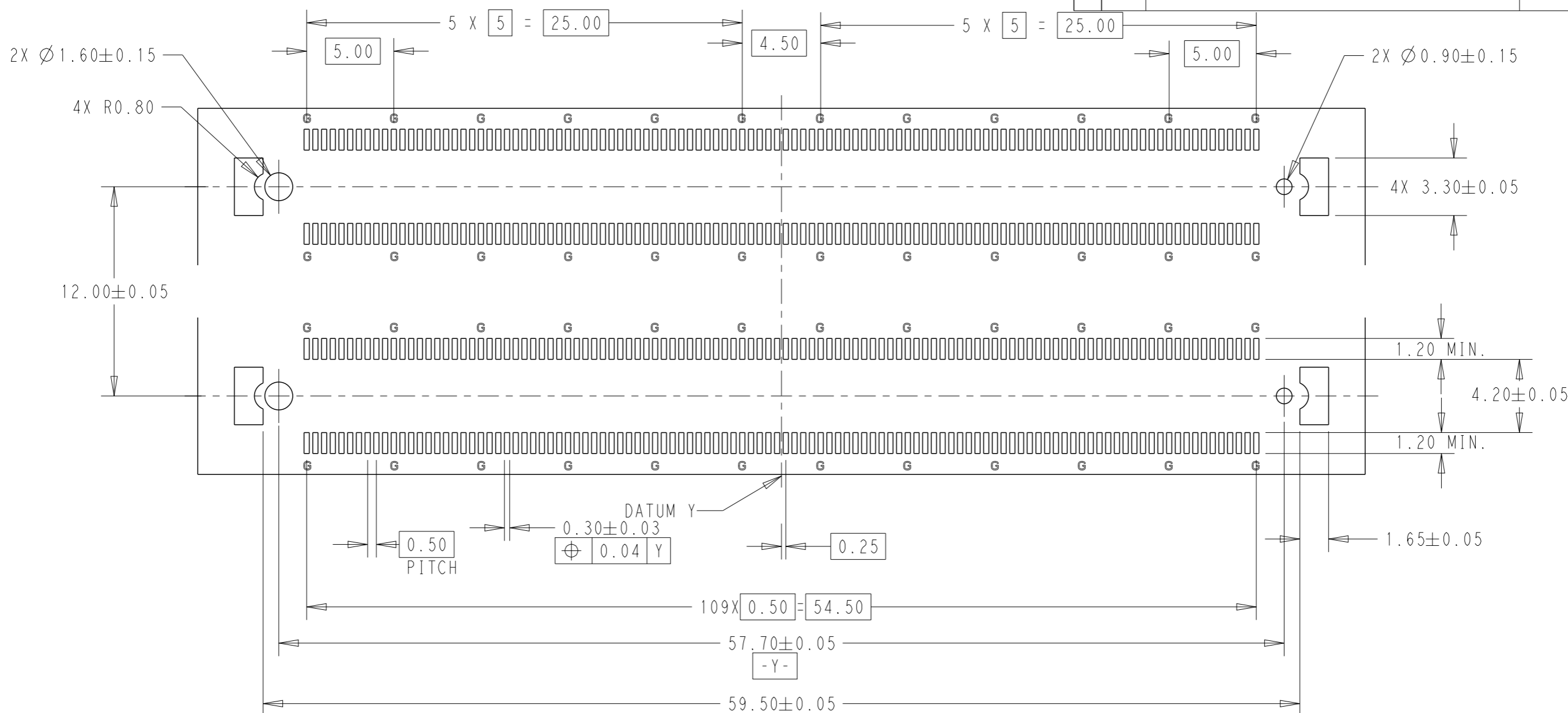
SECTION G-G
SCALE 8:1
(GROUND CONTACTS)

NOTES:

- MATERIAL
HOUSING : HIGH TEMP THERMO PLASTIC UL94V-0
CONTACT : COPPER ALLOY
SOLDER PEG : COPPER ALLOY
GROUND PLATE : COPPER ALLOY
- FINISH
UNDERPLATED : 1.27um MIN. NICKEL ALL OVER
CONTACT MATING AREA : MEETS THE PERFORMANCE REQUIREMENTS OF TE CONNECTIVITY PRODUCT SPECIFICATION 108-32658.
SOLDER AREA : GOLD FLASH
- CAP COLOR IS BLACK.

THIS DRAWING IS A CONTROLLED DOCUMENT.		DWN Art Lin	24FEB2020	TE Connectivity	
DIMENSIONS: mm		CHK HOPE LU	25FEB2020		
TOLERANCES UNLESS OTHERWISE SPECIFIED:		APVD HOPE LU	25FEB2020	NAME 5H PLUG ASSY 440POS	
0 PLC ±0.5 1 PLC ±0.3 2 PLC ±0.15 3 PLC ±0.050 4 PLC ±0.0250 ANGLES ±3		PRODUCT SPEC 108-32658		FH 0.5MM BTB 16Gbps	
MATERIAL SEE NOTE 1		APPLICATION SPEC 114-115003		SIZE A3	RESTRICTED TO -
FINISH SEE NOTE 2		WEIGHT -		CAGE CODE 00779	DRAWING NO C-2369316
CUSTOMER DRAWING		SCALE 1:1		SHEET 3 OF 4	REV A4

P	LTR	DESCRIPTION	DATE	DWN	APVD
		SEE SHEET 1			



SCALE 4:1
 REFERENCE P.C.BOARD LAYOUT
 G:Ground

THIS DRAWING IS A CONTROLLED DOCUMENT.		DWN Art Lin	24FEB2020	TE Connectivity	
DIMENSIONS: mm		CHK HOPE LU	25FEB2020		
		APVD HOPE LU	25FEB2020	NAME 5H PLUG ASSY 440POS	
TOLERANCES UNLESS OTHERWISE SPECIFIED:		PRODUCT SPEC	108-32658	FH 0.5MM BTB 16Gbps	
0 PLC ±0.5	1 PLC ±0.3	APPLICATION SPEC	114-115003	SIZE A3	CAGE CODE 00779
2 PLC ±0.15	3 PLC ±0.050	WEIGHT	-	DRAWING NO C-2369316	RESTRICTED TO -
4 PLC ±0.0250	ANGLES ±3	CUSTOMER DRAWING		SCALE 1:1	SHEET 4 OF 4
MATERIAL SEE NOTE 1	FINISH SEE NOTE 2			REV A4	