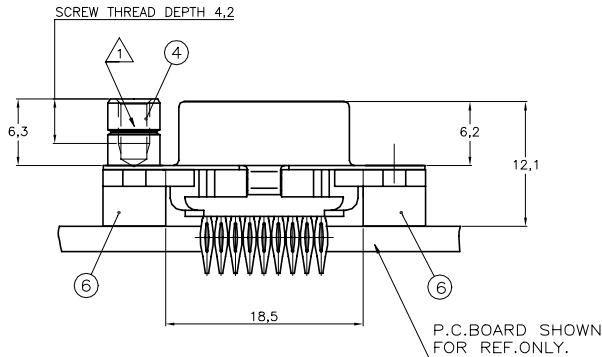
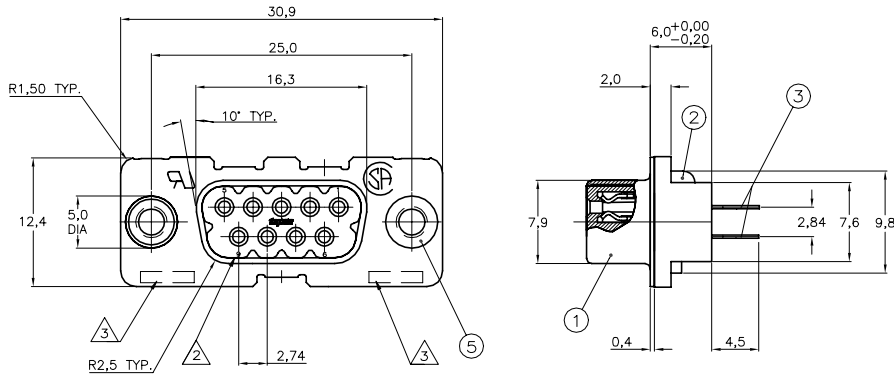


REVISIONS					
P	LTR	DESCRIPTION	DATE	OWN	APVD
J2		ECO-20-004921	13APR2020	RR	SH

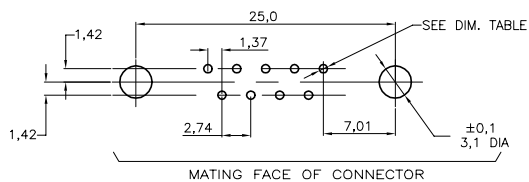
03FEB10 KK HMR



P.C.B. HOLE DIM. FOR CONTACTS	
DRILLED HOLE :	1,15 ±0,025 mm
FIN. HOLE :	0,94 to 1,09 mm
AFTER REFLOW :	0,91 to 1,09 mm
Cu-thks :	0,025 to 0,075 mm
SnPb-thks :	0,004 to 0,010 mm

6 OBSOLETE PARTS: OBSOLETE CIS STREAMLINING PER D.RENAUD/D.SINISI

RECOMMENDED P.C. BOARD HOLE-LAYOUT



ACCESSORIES PREFIX "Z"	ITEM NO	DESCRIPTION OF ACCESSORY	2	3	4	5
5		BUSHING WITH THROUGH HOLE 3,1 DIA.	2	2	2	2
5		BUSHING WITH THREAD 4-40 UNC	2	2	2	2
5		BUSHING WITH THREAD M3	2	2	2	2
4		FEMALE SCREWLOCK WITH 4-40 UNC	2	2	2	2
4		FEMALE SCREWLOCK WITH M3	2	2	2	2

HOW TO ORDER:	PLATING SUFFIX "Y"
9 POS.-----> Z-338210-Y	
PREFIX FOR ACCESSORIES	
BASIC PARTNR.	
SUFFIX FOR PLATING	
	0-XXXXXX-Y 1-XXXXXX-Y 2-XXXXXX-Y 3-XXXXXX-Y 4-XXXXXX-Y

GOLD OVER NICKEL AS PER PERFORMANCE LEVEL 2 (DIN 41652)
PRESS-FIT PART: TIN-PLATING 3µm } -Y = -2

- NOTES :
- △ GROOVE INDICATES VERSION WITH 4-40 UNC INNER THREAD; WITHOUT GROOVE INDICATES VERSION WITH M3 INNER THREAD.
 - △ CAVITY IDENTIFICATION AT FRONT SIDE ONLY.
 - △ PARTNUMBER AND DATE CODE.
 - 4 CONNECTOR CAN BE USED FOR PCB THICKNESS OF 1,6 mm MINIMUM AND THICKER.
 - 5 AIR AND CREEPAGE DISTANCES ACCORDING TO DIN 41652.

- ITEM NRS./MATERIAL :
- 1 SHELL = BRIGHT TINPLATED STEEL
 - 2 HOUSING = GLASSFILLED POLYESTER, COLOR : BLACK
 - 3 CONTACTS = PHOSPHORBRONZE (PLATING : SEE TABLE ABOVE)
 - 4 FEMALE SCREWLOCK = TINPLATED STEEL (INNER THREAD 4-40 UNC OR M3)
 - 5 BUSHING = TINPLATED STEEL (INNER THREAD 4-40 UNC OR M3 OR 3,1 DIA. THROUGH HOLE)
 - 6 STAND OFF = MAT: ULTRAMID V0 COLOR BLACK.

THIS DRAWING IS A CONTROLLED DOCUMENT.		OWN: D. KESSLER 25FEB99		
DIMENSIONS: mm		CHK: W. SOOMERS 24AUG00		
TOLERANCES UNLESS OTHERWISE SPECIFIED:		APVD: -	NAME: -	
0 PLC ± -		PRODUCT SPEC: -	HDP-20 SIZE 1	
1 PLC ± -		APPLICATION SPEC: -	VERTICAL+ RECEPTACLE HEADER;	
2 PLC ± -		WEIGHT: 0,000000	PRESS-FITVERSION	
3 PLC ± -		SIZE: A2	CAGE CODE: 00779	
4 PLC ± -		DRAWING NO: 338210	RESTRICTED TO: -	
ANGLES ± -		CUSTOMER DRAWING	SCALE: - SHEET: 1 of 1 REV: J2	