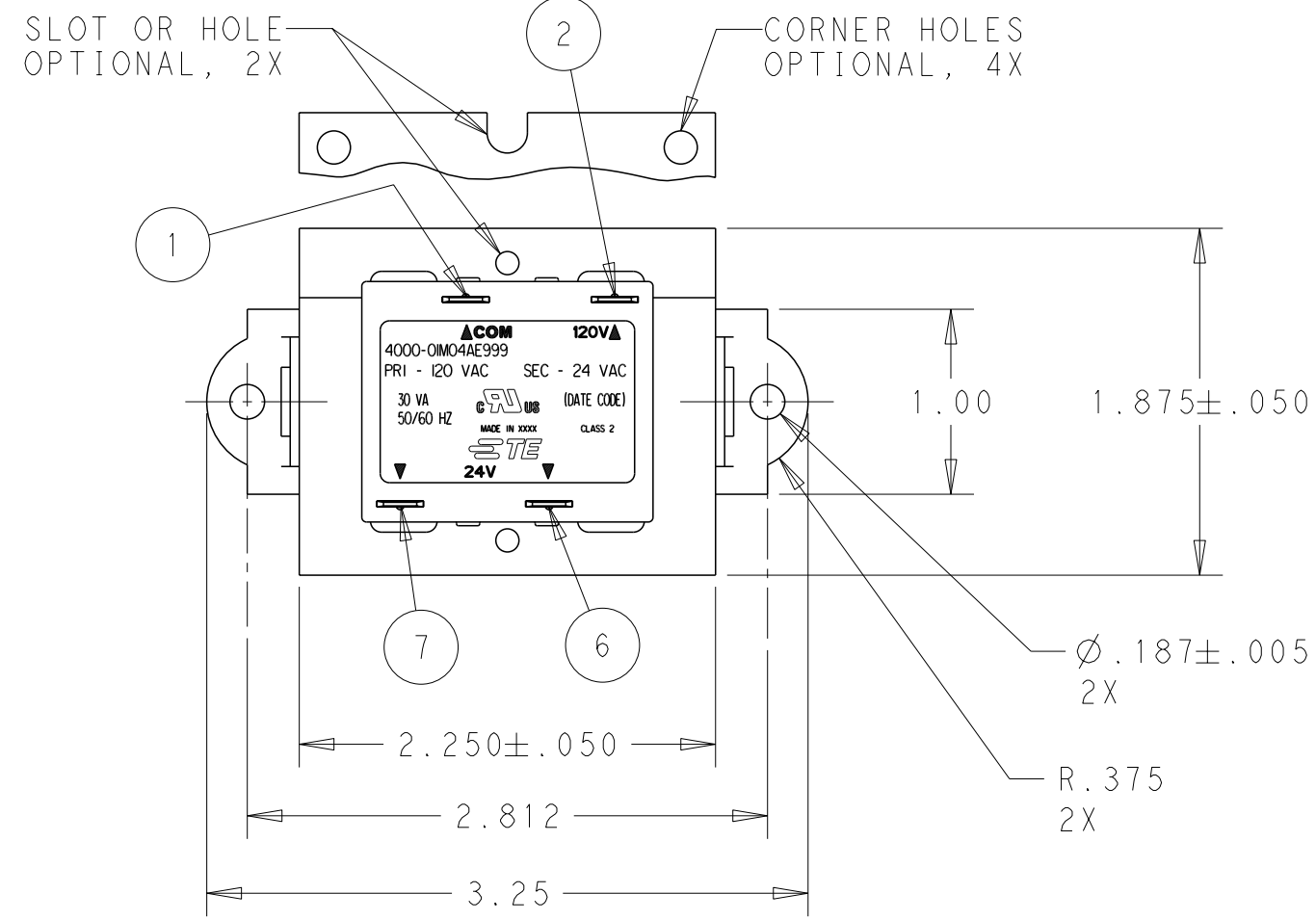


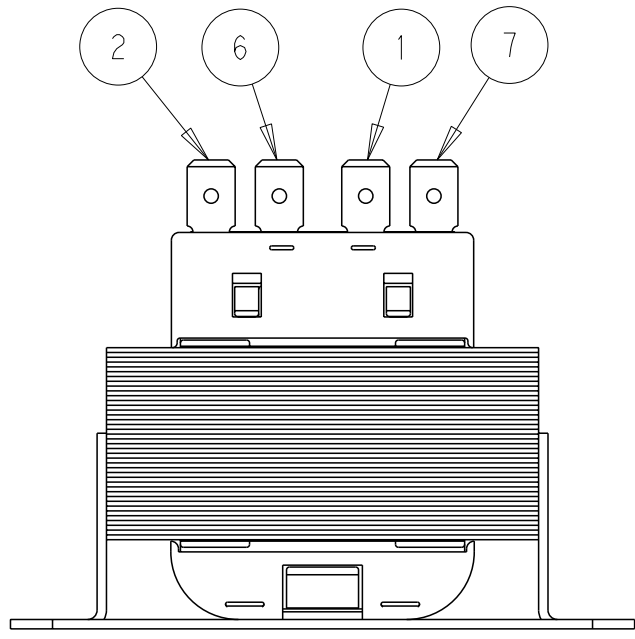
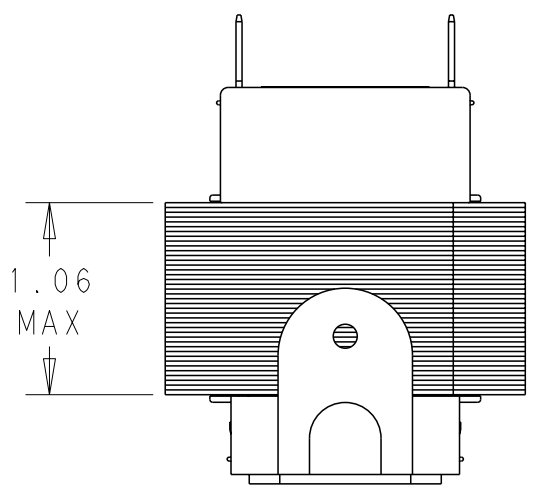
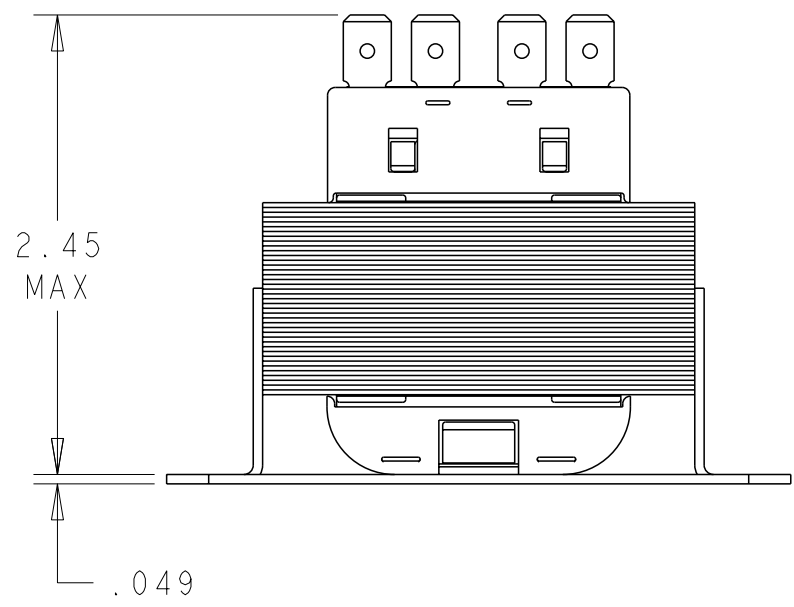
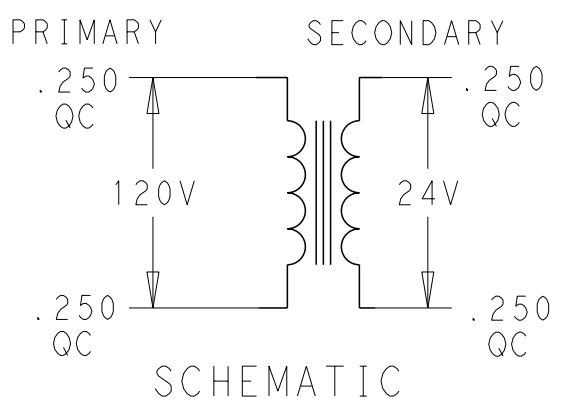
THIS DRAWING IS UNPUBLISHED. RELEASED FOR PUBLICATION 20  
 © COPYRIGHT 20 BY - ALL RIGHTS RESERVED.

REVISIONS					
P	LTR	DESCRIPTION	DATE	DWN	APVD
	C	ECR-16-001088	27JAN2016	VS	DB



CERTIFICATION: UL & CUL FILE NO. E87824					
PRIMARY			SECONDARY		
TERMINAL NO.	1	2	TERMINAL NO.	6	7
VOLTAGE	COM	120	VOLTAGE	24	VAC
TERM. WIDTH	.250	.250	TERM. WIDTH	.250	.250
TERM. THICKNESS	.032	.032	TERM. THICKNESS	.032	.032

1. WINDING PROTECTION: INHERENTLY LIMITING.



1611450-3  
TE PART NO.

THIS DRAWING IS A CONTROLLED DOCUMENT.		DWN	VIC SLACK 21APR2014		TE Connectivity <b>TRANSFORMER OUTLINE</b>											
DIMENSIONS: INCHES		CHK	D. BLOESCH 21APR2014													
TOLERANCES UNLESS OTHERWISE SPECIFIED:		APVD	D. BLOESCH 21APR2014													
<table border="1"> <tr><td>0 PLC</td><td>±-</td></tr> <tr><td>1 PLC</td><td>±.1</td></tr> <tr><td>2 PLC</td><td>±.03</td></tr> <tr><td>3 PLC</td><td>±.015</td></tr> <tr><td>4 PLC</td><td>±-</td></tr> <tr><td>ANGLES</td><td>±-</td></tr> </table>		0 PLC	±-	1 PLC		±.1	2 PLC	±.03	3 PLC	±.015	4 PLC	±-	ANGLES	±-	PRODUCT SPEC	
0 PLC	±-															
1 PLC	±.1															
2 PLC	±.03															
3 PLC	±.015															
4 PLC	±-															
ANGLES	±-															
MATERIAL		APPLICATION SPEC		SIZE												
FINISH		WEIGHT		CAGE CODE												
		CUSTOMER DRAWING		DRAWING NO												
		SCALE 1:1		RESTRICTED TO												
		SHEET 1 OF 1		REV C												