



Electrical Specifications

Center Frequency: 137.6 MHz
3dB Bandwidth: 80 kHz Min
Insertion Loss: 5.0 dB Max
Ripple: 1.0 dB Max
Attenuation: >20 dB @ 137.5 MHz
 >40 dB @ 137.8 MHz
Impedance: 50 Ω

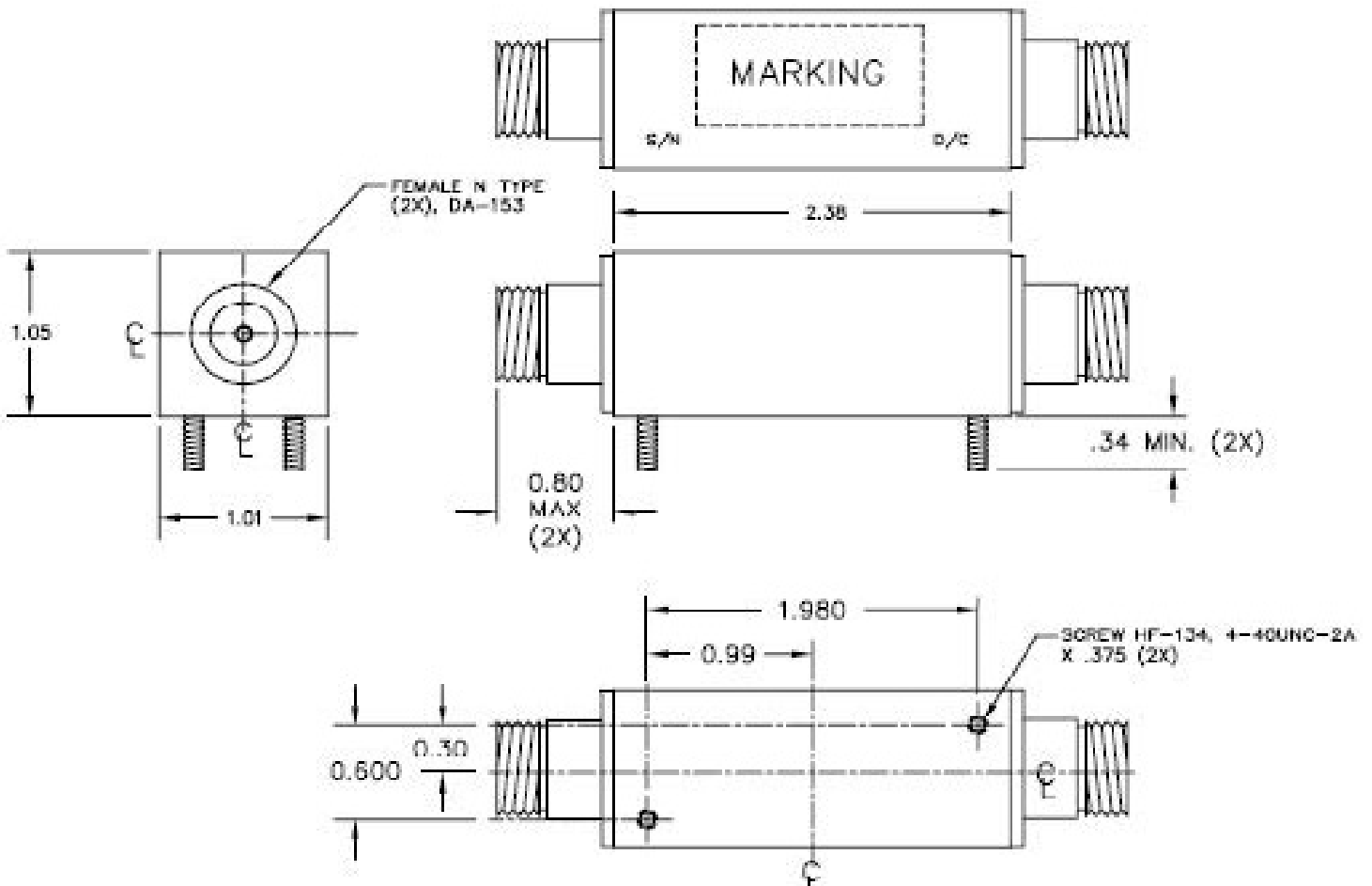
Mechanical

Connector Type: N-Type (F)
Dimensions: 2.38 x 1.05 x 1.01 Inches

Environmental

Operating Temperature: -40 to +85° C
Storage Temperature: -50 to +95° C

Outline Drawing:





137.6 MHz Crystal Band Pass Filter

Part Number: AM137CR357



Response Plot:

