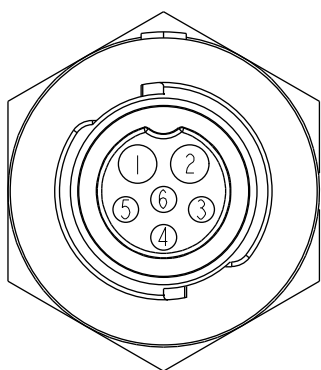
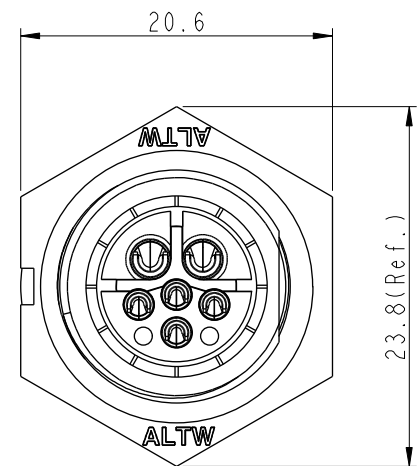
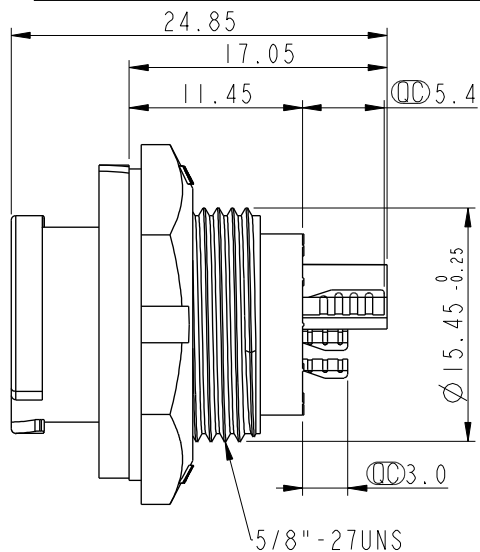
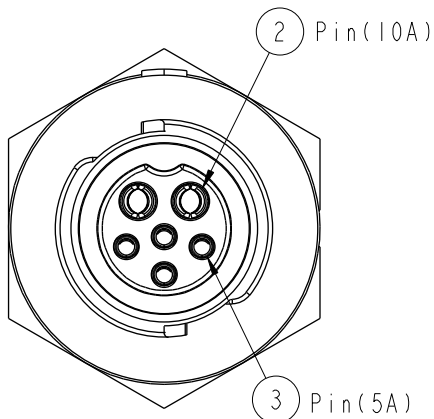


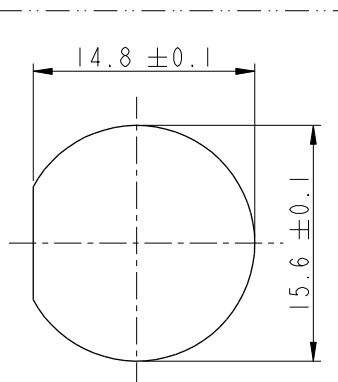
THIS DOCUMENT IS SUBJECT TO CHANGE WITHOUT NOTICE. IT IS CONFIDENTIAL AND A PROPERTY OF AMPHENOL LTW. DISCLOSURE TO THIRD PARTY HAS TO BE AUTHORIZED BY AMPHENOL LTW.

REV.	ECN NO.	DATE	SIGN	DESCRIPTION
A	Initial Release	2016/05/07	Spring	Change Rev.01 To Rev.A
B	CI90411	2019/03/14	Vicky	Change Note

**ALTW**  
**CONFIDENTIAL**  
 2019-03-14  
 R&D DEPT.

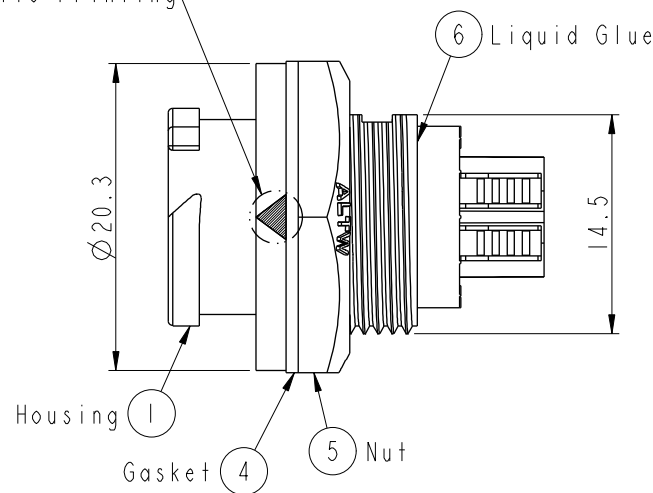


Pin Assignments  
Front View



Recommended Panel  
Cut-Out

☉ White Printing



△ Note:

- \* ☉ Important Dimension To Check.
- \* Waterproof Rate: IP68, Unmated.  
In 1 meter water within 24 hours
- \* Housing: Thermoplastic, Black.
- \* Pin: Copper Alloy, Gold Plated.
- \* Nut: Thermoplastic, Black.
- \* Gasket: Rubber, Gray.
- \* Panel Thickness Max: 4.5mm
- \* Gasket and Nut are packed separately in PE bags.

UNIT:mm		
TOLERANCE	.X ±0.25	
	.XX ±0.1	
	.XXX ±0.05	
ANGLES	±1°	

TITLE STANDARD, RECEPTACLE (REAR) X-LOK (2+4) PIN M CONN F PIN			
SCALE 2:1	SIZE A4	SHEET 1 OF 1	
REV. B	WC-REV. A.3	☉: Inspection item	

**Amphenol LTW**  
 安費諾亮泰企業股份有限公司

ITEM NO BBD-06RMFS-QC8001	DRAWN BY Vicky	DATE 2019-03-14
DWG NO BBD-06RMFS-QC8001	CHECKED BY Rita	DATE 2019-03-14
CUSTOMER ALTW	APPROVED BY Max	DATE 2019-03-14