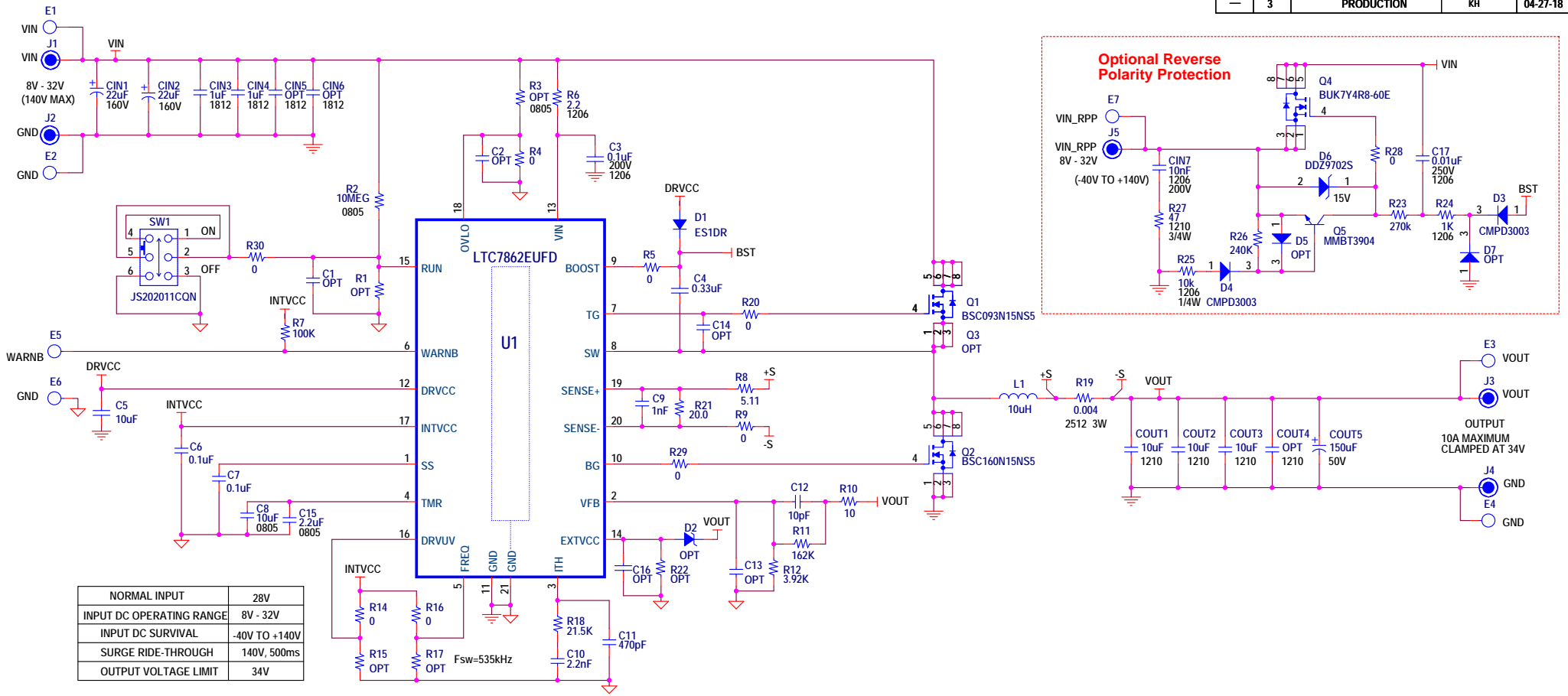


REVISION HISTORY				
ECO	REV	DESCRIPTION	APPROVED	DATE
-	3	PRODUCTION	KH	04-27-18



CAUTION, SHOCK HAZARD: CONTACT WITH HIGH VOLTAGE CAN RESULT IN A DANGEROUS ELECTRIC SHOCK.

CUSTOMER NOTICE

ANALOG DEVICES HAS MADE A BEST EFFORT TO DESIGN A CIRCUIT THAT MEETS CUSTOMER-SUPPLIED SPECIFICATIONS; HOWEVER, IT REMAINS THE CUSTOMER'S RESPONSIBILITY TO VERIFY PROPER AND RELIABLE OPERATION IN THE ACTUAL APPLICATION. COMPONENT SUBSTITUTION AND PRINTED CIRCUIT BOARD LAYOUT MAY SIGNIFICANTLY AFFECT CIRCUIT PERFORMANCE OR RELIABILITY. CONTACT ANALOG DEVICES APPLICATIONS ENGINEERING FOR ASSISTANCE.

THIS CIRCUIT IS PROPRIETARY TO ANALOG DEVICES AND SUPPLIED FOR USE WITH ANALOG DEVICES PARTS.

APPROVALS

PCB DES.	LT
APP ENG.	KH



www.analog.com www.linear.com Phone: (408)432-1900

TITLE: SCHEMATIC

140V HIGH EFFICIENCY SWITCHING SURGE STOPPER

IC NO. LTC7862EUFD SKU NO. DC2674A SCHEMATIC NO. AND REVISION: 710-DC2674A_REV03

SIZE: N/A DATE: 04-27-18 SHEET 1 OF 1

- C3: 0.1uF 200V AVX 12062C104KAT2A (X7R 1206)
- C8: 10uF 16V Murata GRM21BC71C106KE36 (X7S 0805)
- C15: 2.2uF 16V Murata GRM21BR71C225KA4 (X7R 0805)
- CIN3-4: 1uF 250V TDK CGA8P3X7T2E105M250KA(X7T 1812)
- COU1-2: 10uF 50V Murata GCM32EC71H106KA01L (X7S 1210)
- CIN1-2: 22uF 160V Nichicon UVY2C220MPD1TD(10x12mm)
- COU3: 150uF 50V Suncon 50CE150AX (10x10)
- D1: Nexperia ES1DR 200V/1A Silicon Diode
- L1: 10uH Würth 74439370100
- R19: 0.004 2512 Panasonic ERJ-MS4SF4M0U
- R6: 2.2 Ohm 1206 Vishay CRCW12062R20JNEAHP
- R27: 47 Ohm 1210 Vishay CRCW121047R0JNEAHP

Note: OPT = (OPT) = Optional = Not Used

Note: Unless otherwise specified:
 All resistors are in ohms, 1%, 0603.
 All capacitors are in microfarads 0603.
 All capacitors are 16V.
 1/16W = 0402, 1/10W = 0603, 1/8W = 0805,
 1/4W = 1206, 1/2W = 1210, 1W = 2512.