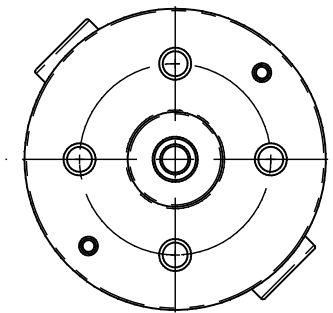
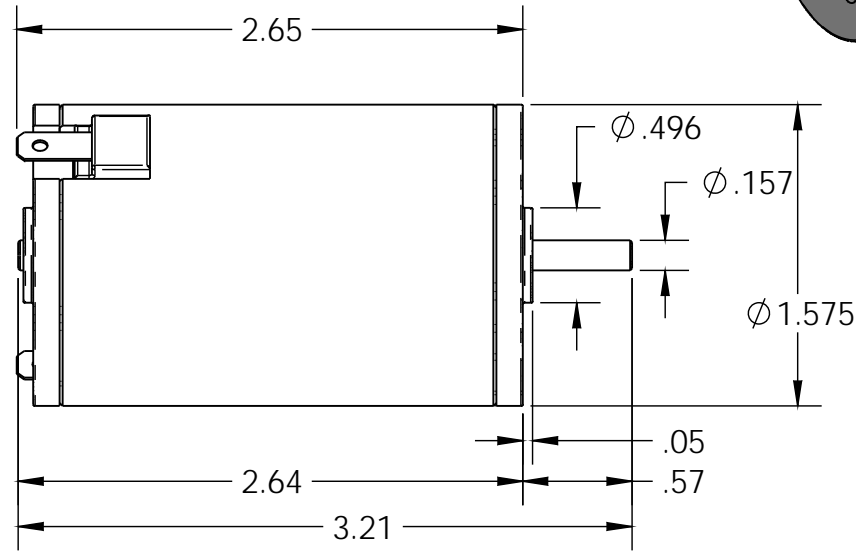
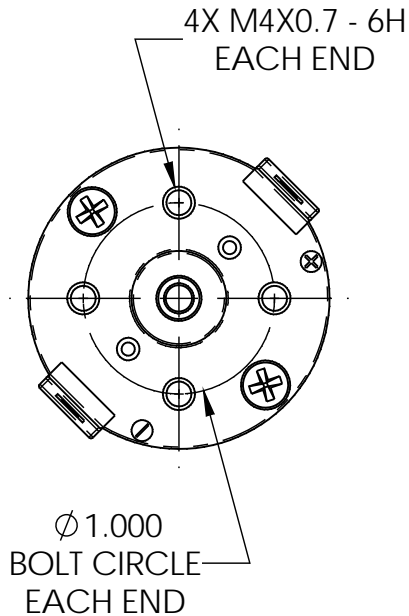
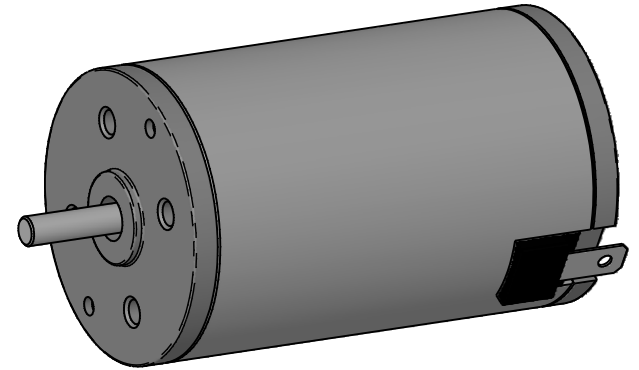


NOTES: UNLESS OTHERWISE SPECIFIED
 1. DIMENSIONS ARE FOR REFERENCE ONLY



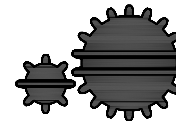
SOHO PART#: 7E4065B-40026-28Y
 DUAL BAL BEARINGS
 RATED VOLTAGE: 12 V DC
 NO LOAD SPEED: 6500 RPM
 NO LOAD CURRENT: 0.3 A

LOADED SPEED @ 6 OZ-IN: 5000 RPM
 LOADED CURRENT @ 6 OZ-IN: 1.8 A
 STALL TORQUE: 28 OZ-IN
 STALL CURRENT: 13.0 A

TOLERANCES

X.XX: ±.010
 X.XXX: ±.005
 FRACTION: ±1/64
 ANGLE: ±2°

UNLESS OTHERWISE SPECIFIED



MULTI PRODUCTS
 Company, Inc.

PART NAME/DESCRIPTION: **SOHO 12 VOLT DC MOTOR**

DRAWN BY: DAB	DATE: 11/12/2015	SCALE: 1:1	MATERIAL: VARIOUS
CHK'D BY: DMR	DATE: 11/12/2015	PART NUMBER: DCM-1029	
APPR'D BY: RP	DATE: 11/12/2015		

REV.	DESCRIPTION	DATE	ECO#