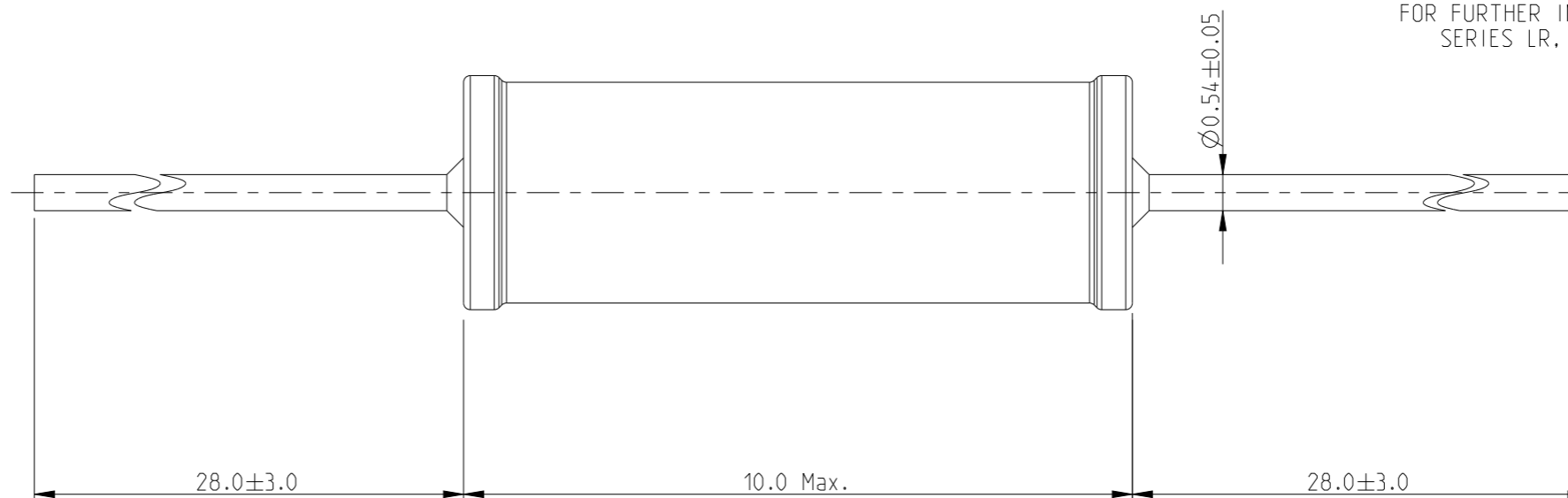
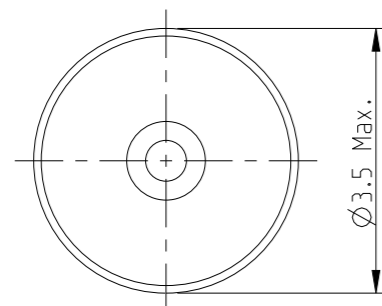


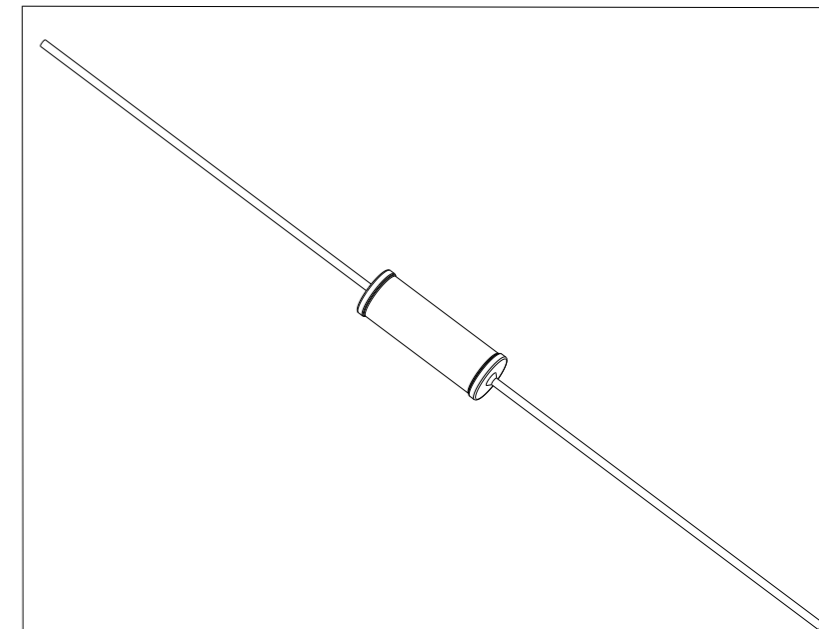
REVISIONS

P	LTR	DESCRIPTION	DATE	DWN	APVD
	BA	NEW RELEASE	07 JULY 2010	PT	St.P
	BB	CLARIFICATION OF DIMENSIONS	18 JAN 2023	DM	AP

FOR FURTHER INFORMATION SEE DATA SHEET FOR SERIES LR. METAL FILM FIXED RESISTORS



RoHS Compliant



THIS DRAWING IS A CONTROLLED DOCUMENT.

DWN 07 JULY 2010  
PARUSURAM.T

CHK 07 JULY 2010  
ALLAN.P

APVD 07 JULY 2010  
STEPHEN.P

PRODUCT SPEC -

APPLICATION SPEC -

WEIGHT -

CUSTOMER DRAWING



NAME METAL FILM FIXED RESISTORS  
SERIES LR2

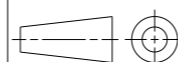
SIZE CAGE CODE DRAWING NO RESTRICTED TO

A3 00779 C=1622790 -

SCALE 10:1 SHEET 1 OF 1 REV BB

DIMENSIONS:  
mm

TOLERANCES UNLESS OTHERWISE SPECIFIED:



0 PLC	$\pm 0.2$
1 PLC	$\pm 0.1$
2 PLC	$\pm$
3 PLC	$\pm$
4 PLC	$\pm$
ANGLES	$\pm 5^\circ$

MATERIAL FINISH