



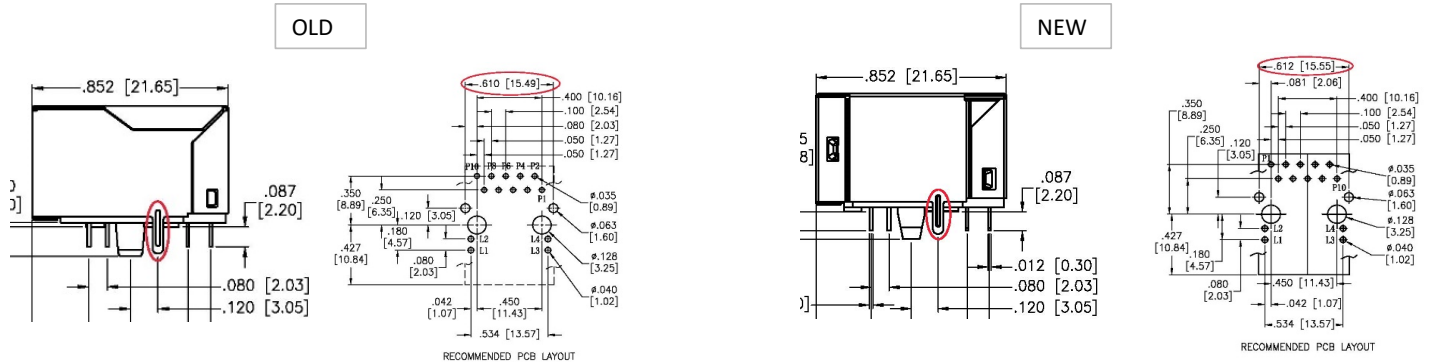
ENGINEERING CHANGE NOTICE

ENG CHANGE NOTICE NO.	DATE OF NOTICE	PRODUCT / PART NUMBER	DESCRIPTION OF PRODUCT
06242021-001	6/24/2021	MTJ-88TUX1-FSD-VL5-M236Y-HT MTJ-88TUX1-FSD-VL5-M236Y-HT-TR	MODULAR JACK, 1 PORT, 8P8C, W/ LED1 GREEN, LED2 ORANGE
OLD REV. NO.	NEW REV. NO.	DEPARTMENT / LOCATION	EFFECTIVE DATE
A	B	ENG / PRODUCTION	As of today 6/24/21

DESCRIPTION OF CHANGE

Manufacturing change to metal shield die of the de-tent on the PCB Shield Pin for new die.

Change details



Old metal shield Die reached maturity, built new metal shield Die.

ENGINEERING CHANGE EFFECTS ON FOLLOWS:

Shield Pin PCB spacing changed from 15.49mm to 15.55mm

SIGN OFF

RAW MATERIAL PLANNING	PRODUCTION	QUALITY	SALES & MARKETING
Tim Wu	Victor Yeh	Scott Sokoli	
FINANCE	ENGINEERING	DESIGN & DEVELOPMENT	
-	Scott Sokoli	Adam Tech production team	