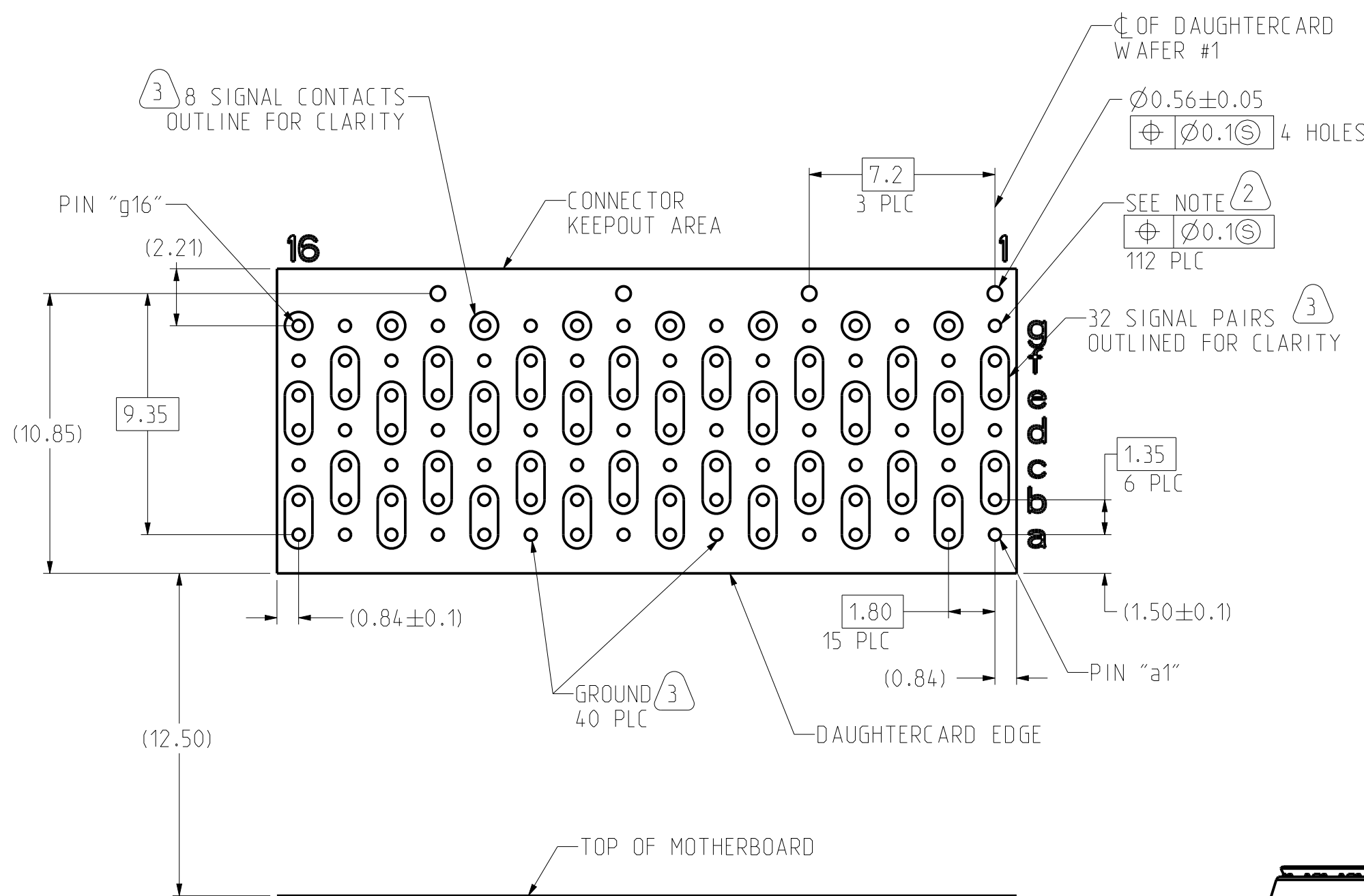


REV. A		SHEET 1 OF 2		DOCUMENT NO. RVPX-PE21614XX	
REVISIONS M					
LTR	DESCRIPTION			DATE	
A	INITIAL RELEASE			25-AUG-20	



PC BOARD REAR TRANSITION MODULE  
(CONNECTOR SIDE)  
SCALE 5/1

TABLE 1  
INTERCONNECTIONS WITH BACKPLANE  
CONNECTOR RVPX-JE216EXX, RVPX-JE216MXX  
OR RVPX-JE21612XX

TYPICAL INTERCONNECTIONS FOR COLUMN (WAFER): 1.3, 5, 7, 9, 11, 13, 15		
CONTACT USAGE	DAUGHTERCARD CONNECTOR PIN	BACKPLANE CONNECTOR PIN
SIGNAL PAIR	ax	ax
	bx	bx
SIGNAL PAIR	dx	ex
	ex	fx
SIGNAL	gx	ix
GROUND	cx, fx, (ALL COMMONED)	cx, dx, gx, hx

TYPICAL INTERCONNECTIONS FOR COLUMN (WAFER): 2, 4, 6, 8, 10, 12, 14, 16		
CONTACT USAGE	DAUGHTERCARD CONNECTOR PIN	BACKPLANE CONNECTOR PIN
SIGNAL PAIR	bx	cx
	cx	dx
SIGNAL PAIR	ex	gx
	fx	hx
GROUND	ax, dx, gx, (ALL COMMONED)	ax, bx, ex, fx, ix

NOTE: "x" DESIGNATES THE COLUMN NUMBER

TABLE 2

PLATING THICKNESS AND MATERIAL BY PART NUMBER			
PART NUMBER	GOLD IN CONTACT AREA	COMPLIANT	NICKEL OVERALL
RVPX-PE21614M1	50 μ-INCH MIN	50 μ-INCH MIN TIN	50 μ-INCH MIN
RVPX-PE21614M2	50 μ-INCH MIN	50 μ-INCH MIN TIN-LEAD	50 μ-INCH MIN
RVPX-PE21614C1	30 μ-INCH MIN	50 μ-INCH MIN TIN	50 μ-INCH MIN
RVPX-PE21614C2	30 μ-INCH MIN	50 μ-INCH MIN TIN-LEAD	50 μ-INCH MIN

4 SEE TABLE 2 FOR PART NUMBER AND FINISHES

3 SEE TABLE 1 FOR INTERCONNECTIONS TO BACKPLANE CONNECTOR

2 PTH CALLOUT  
TYPICAL HOLE  
Ø0.38-.43 DRILL  
Ø0.31 ±.05 FINISH HOLE  
Ø0.66 PAD

1 HOUSING: GLASS FILLED LCP, UL94 - V0  
CONTACT: Cu ALLOY  
POST: STAINLESS STEEL, PASSIVATED

NOTES:

THE USE OF THIS DOCUMENT IS UNLIMITED.  
HOWEVER, DOCUMENTS REFERENCED HEREON  
MAY CONTAIN LIMITED RIGHTS DATA.

RELEASED / Sep. 08 2020, 11:26:06 AM

DOCUMENT NO. RVPX-PE21614XX

SHEET 1 OF 2

REV. A

N/A

NEXT ASSEMBLY

PRO/ENGINEER INFORMATION

Pro/e Model Used:  
P1233-426-0008-001.ATCS.PART  
Drawing Name:  
RVPX-PE21614XX

UNLESS OTHERWISE SPECIFIED		SPECIFICATIONS		POS	QTY	PART NUMBER	DESCRIPTION	NOTE
LINEAR DIMENSIONS ARE IN MILLIMETERS TOLERANCES: .XXXX = ±. - ANGLES= ±1° .XXX = ±. - .XX = ±.13 .X = ±.5		MATERIAL SPEC. N/A		APPROVALS		DATE	PARTS LIST	
DIM. & TOL. PER ASME Y14.5M; DRM PER MIL-DTL-31000; OTHER Amphenol Stds. PER 9-3800		PROCESS SPEC. 9-3895 9-3856-5		PREPARED BY S. LANGELIER		25-AUG-20	AMPHENOL CORPORATION 40-60 DELAWARE AVENUE SIDNEY, N.Y. 13858	
LEGENDS: = FLAG NOTE CALL OUT REFERENCE ONLY		THIRD ANGLE PROJECTION		ENGINEER IN CHARGE S. LANGELIER			RIGHT-ANGLE PLUG ASSEMBLY CENTER, RVPX EVO 2, RTM DAUGHTERCARD CONNECTOR, DIFFERENTIAL	
		9-3895 9-3856-5		DESIGN MANAGER G. PECK			DOCUMENT NO. RVPX-PE21614XX	
				DESIGN ACTIVITY GROUP BOARD LEVEL		SIZE C		CAGE CODE 77820
				THIRD ANGLE PROJECTION		REV. A		SCALE: 5.0
						REF. NONE		SHEET 1 OF 2

RVPX-PE21614XX

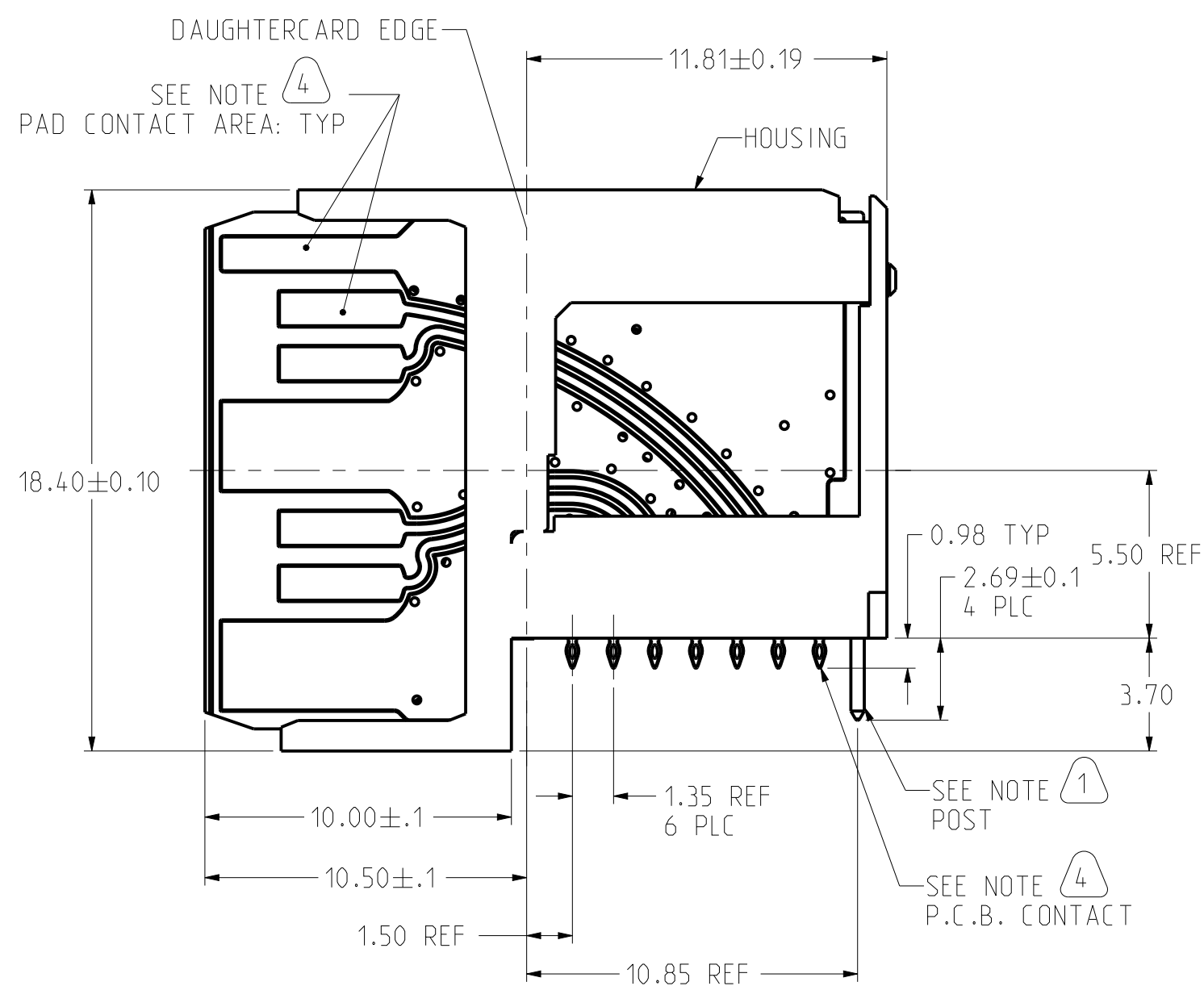
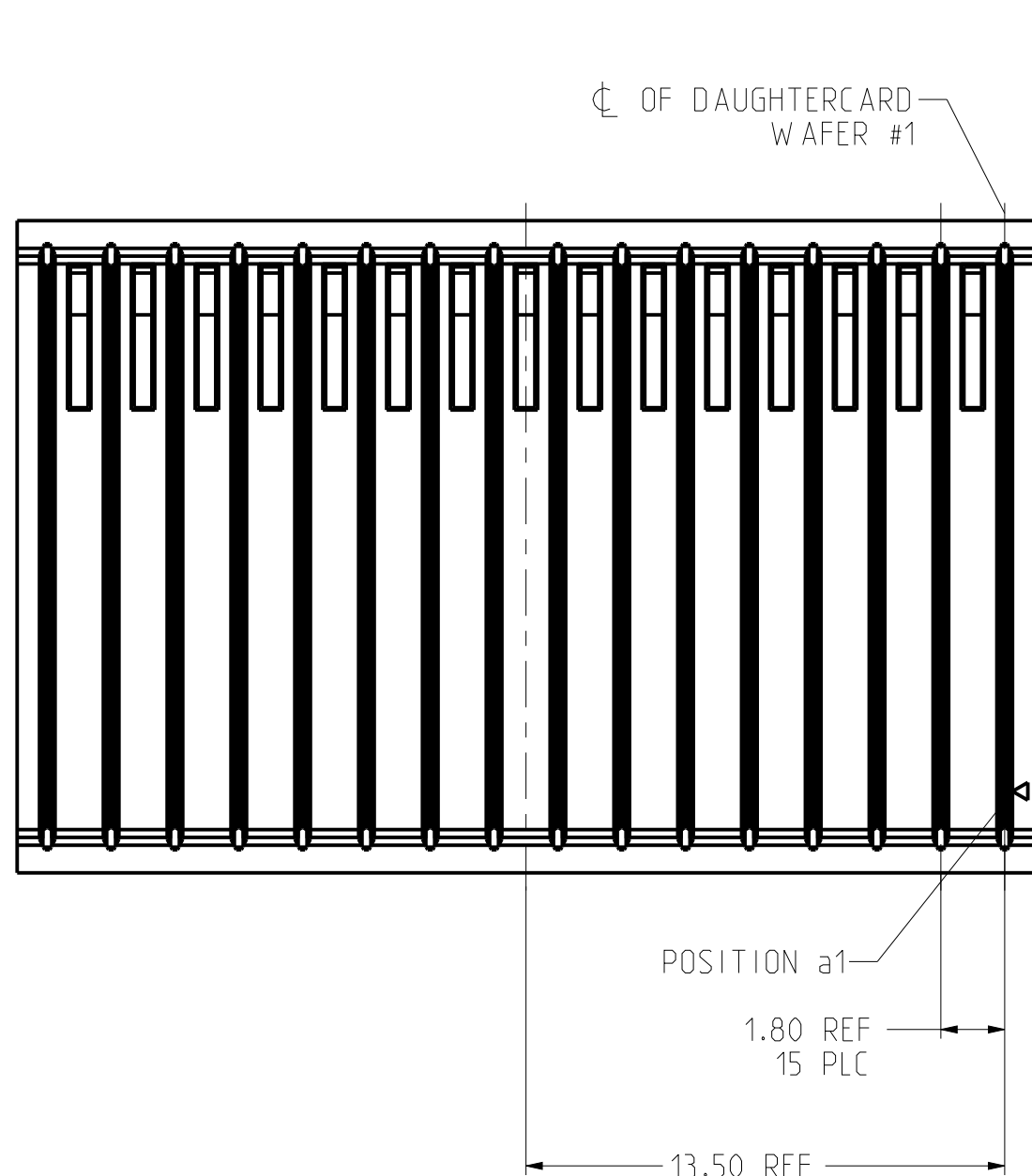
SHEET 2 OF 2

REV. A

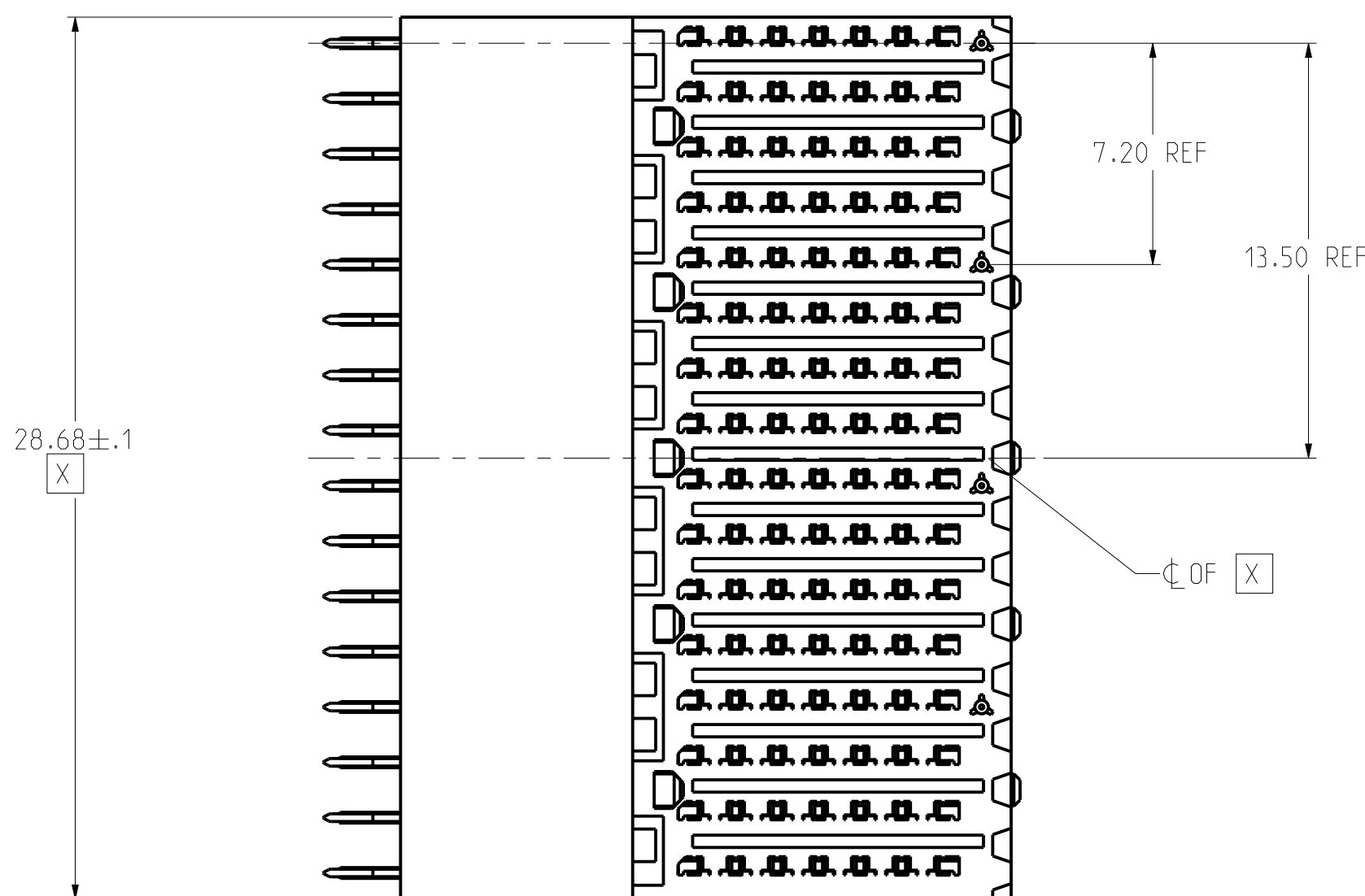
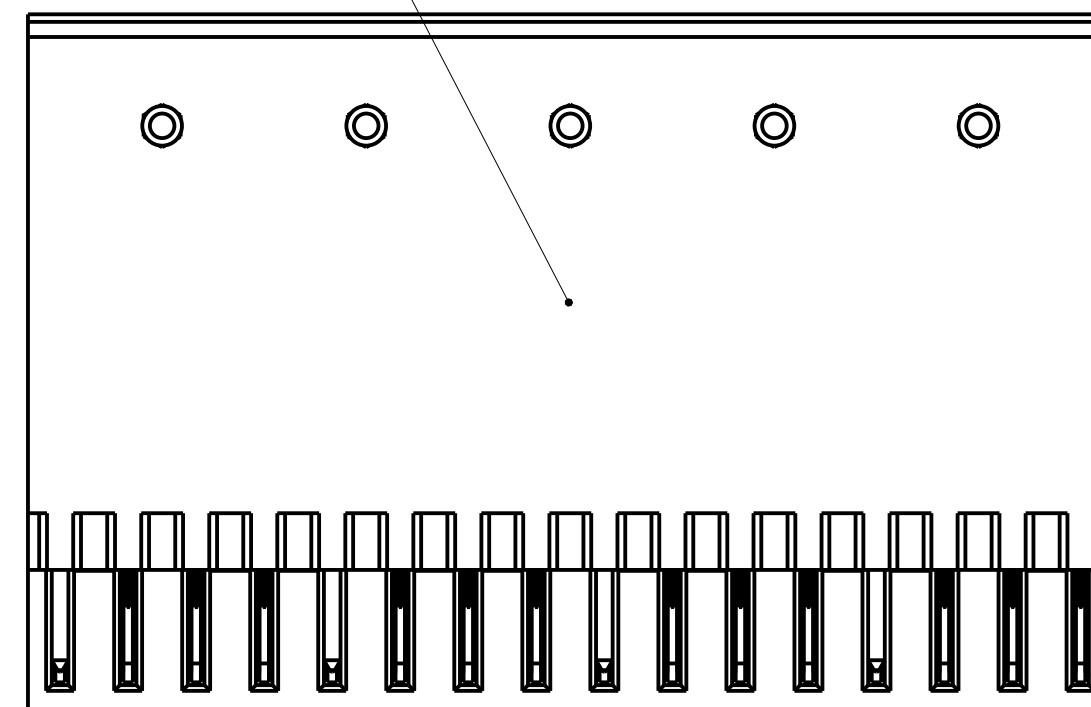
C

B

A



PART MARKING AS FOLLOWS  
 AMPHENOL 77820  
 'DATE CODE'  
 'AAO PART NUMBER'  
 'WORK ORDER NUMBER AS LOT NUMBER'



NOTES: SEE SHEET 1

THE USE OF THIS DOCUMENT IS UNLIMITED.  
 HOWEVER, DOCUMENTS REFERENCED HEREON  
 MAY CONTAIN LIMITED RIGHTS DATA.

RELEASED / Sep. 08 2020, 11:26:06 AM

RVPX-PE21614XX

SHEET 2 OF 2

REV. A

SIZE <b>C</b>	CAGE CODE <b>77820</b>	DOCUMENT NO. <b>RVPX-PE21614XX</b>	REV. <b>A</b>
SCALE: 5.0		REF: NONE	SHEET 2 OF 2

Eng. PDM Information  
 For Reference Only

REV. A  
 SHEET 2 OF 2

RVPX-PE21614XX