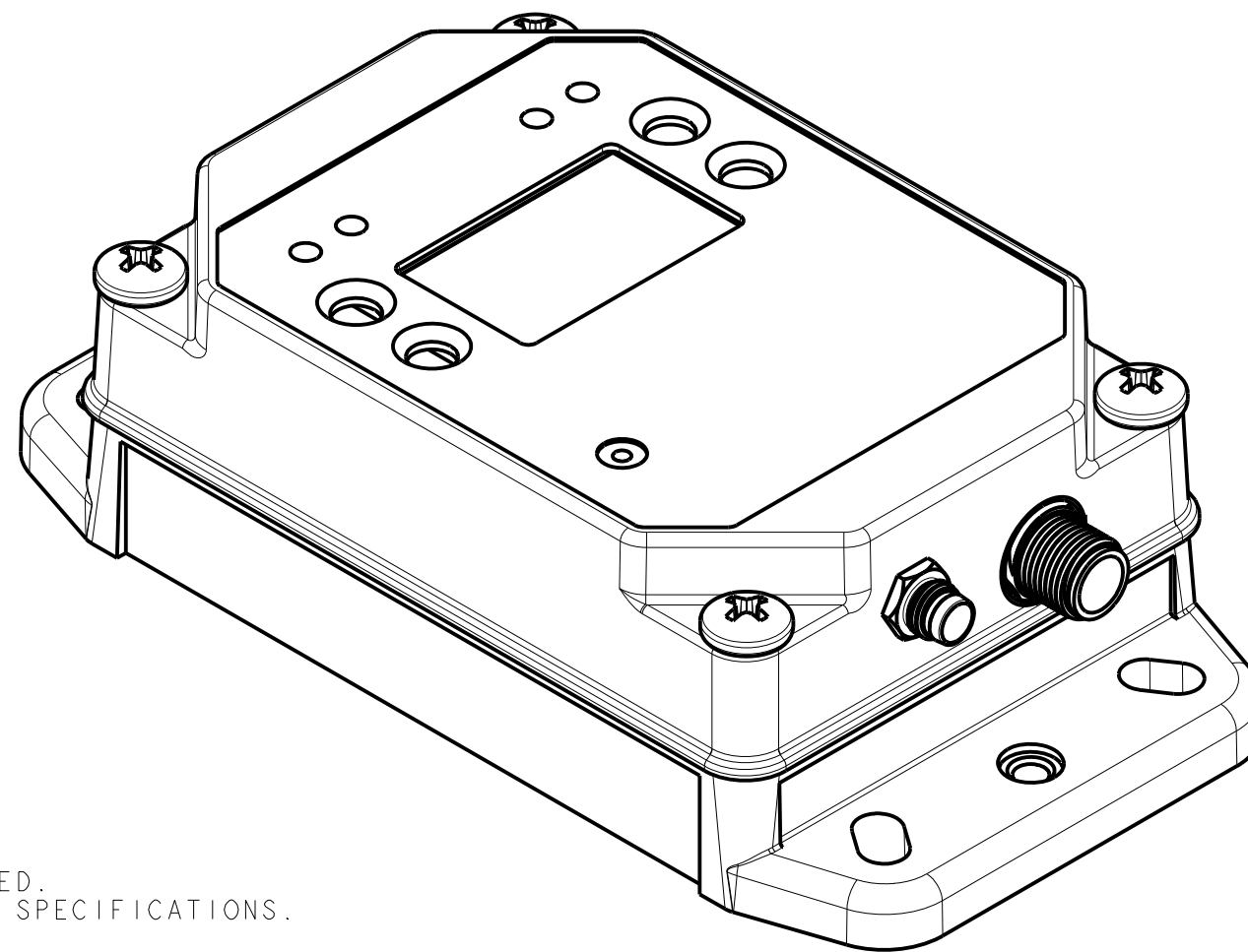
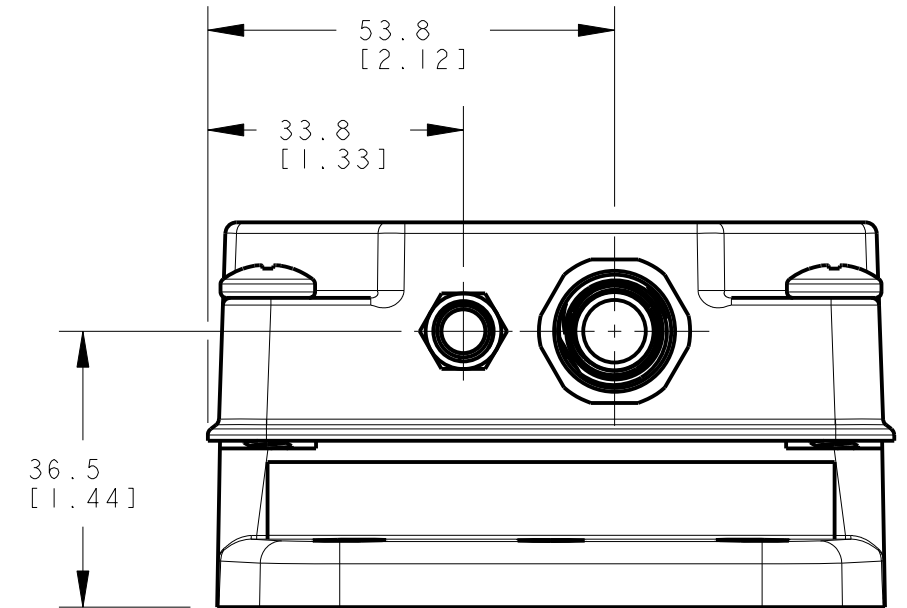
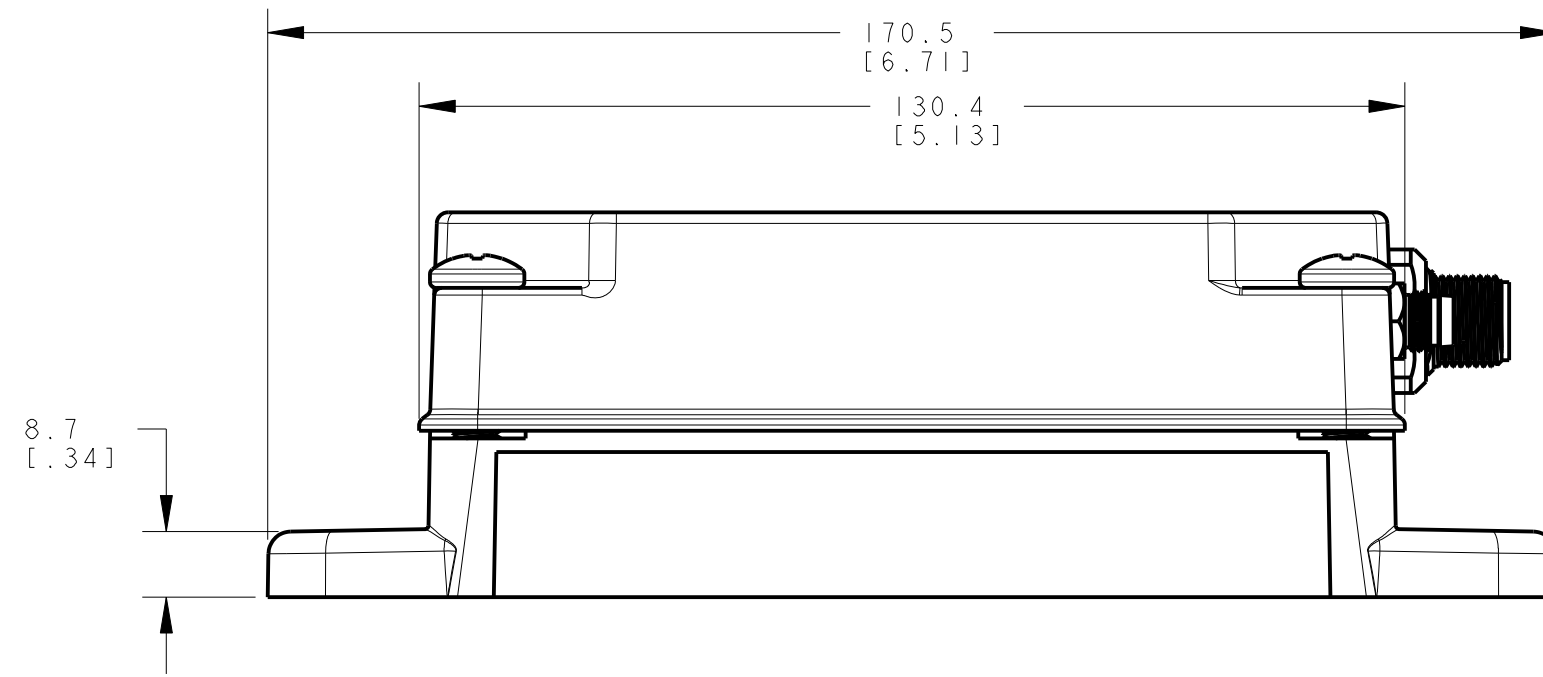
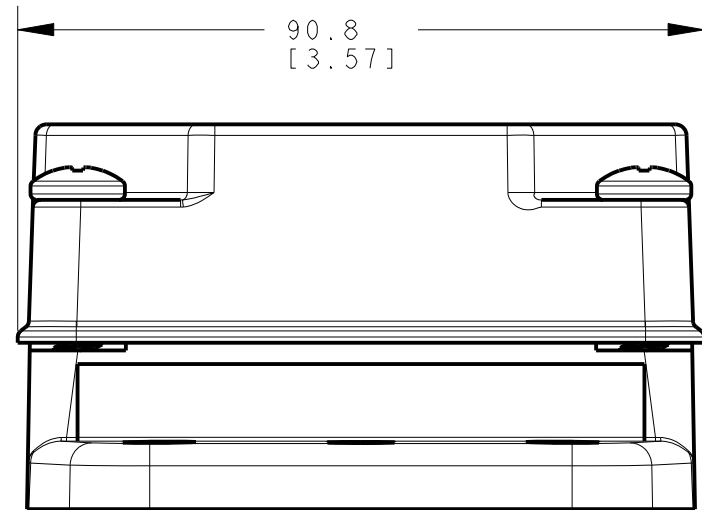
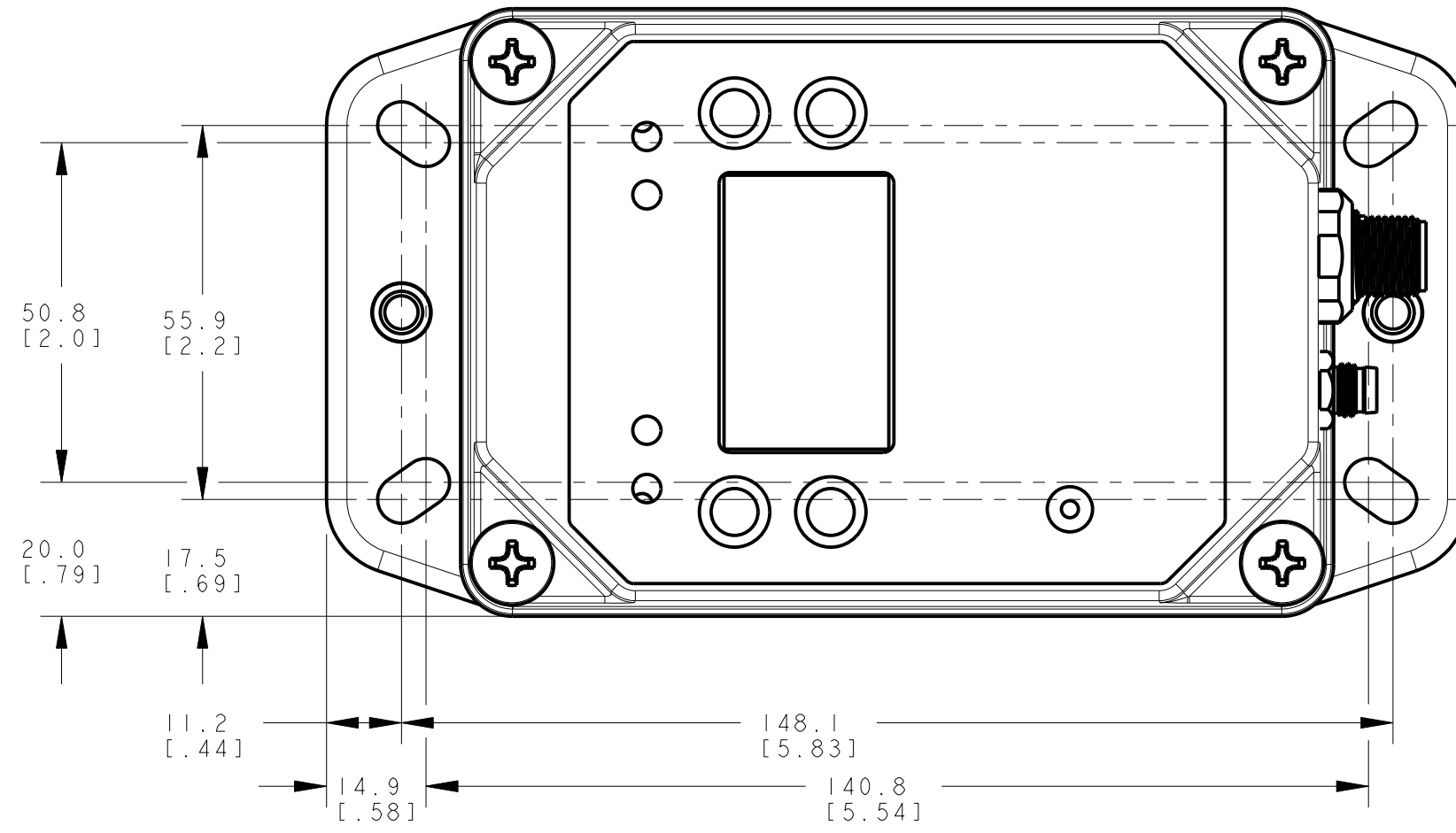


DXMI200



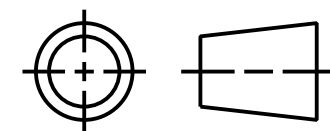
NOTES:  
 1. ALL DIMENSIONS ARE MILLIMETERS [INCHES] UNLESS OTHERWISE NOTED.  
 2. REFER TO "www.bannerengineering.com" FOR ADDITIONAL DATA AND SPECIFICATIONS.

This drawing is the property of BANNER ENGINEERING CORP. Any use or reproduction, in any form, without prior written permission of Banner is prohibited. © 2015 Banner Engineering Corp.

**BANNER** BANNER ENGINEERING CORP.  
 www.bannerengineering.com

TITLE  
**STARTERKIT1200 TANK**

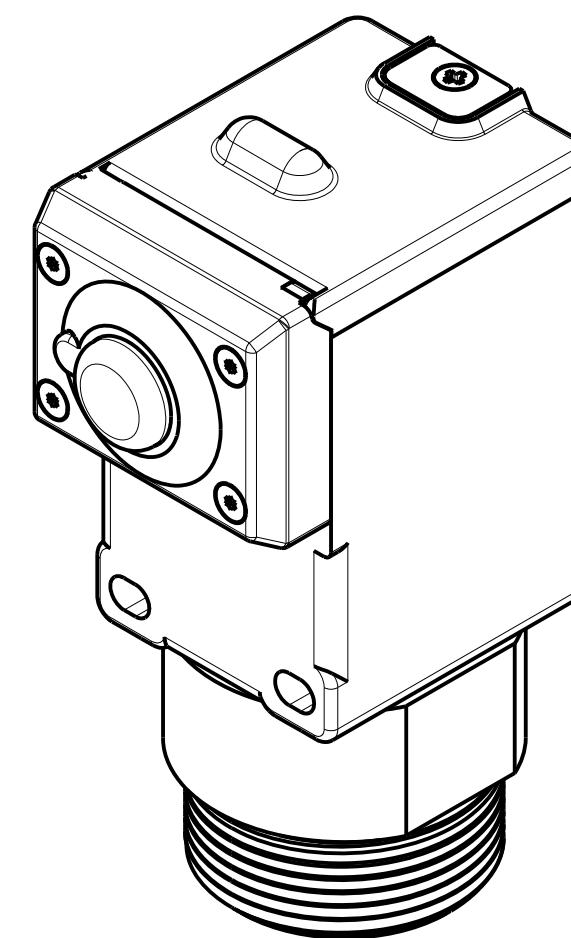
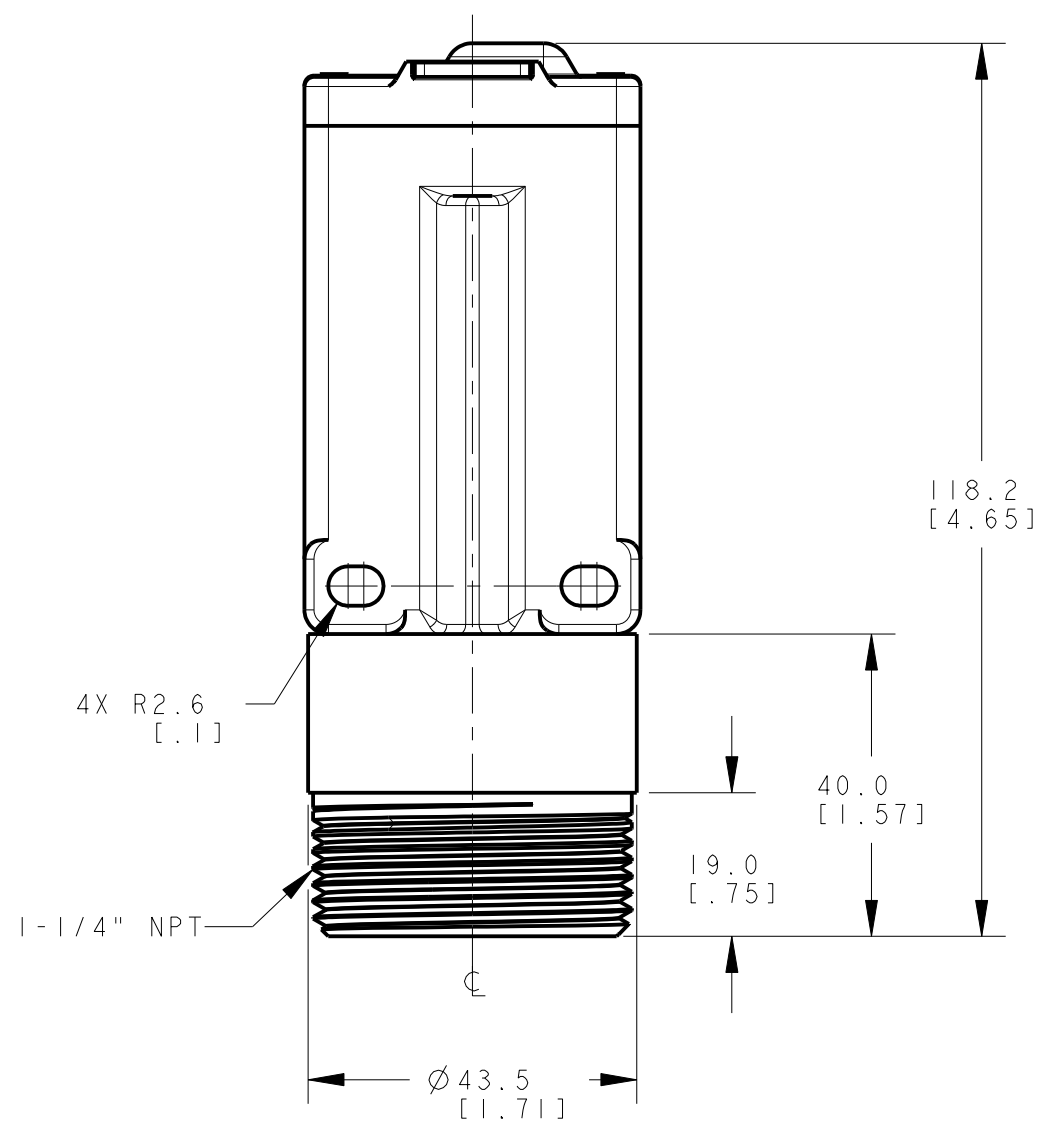
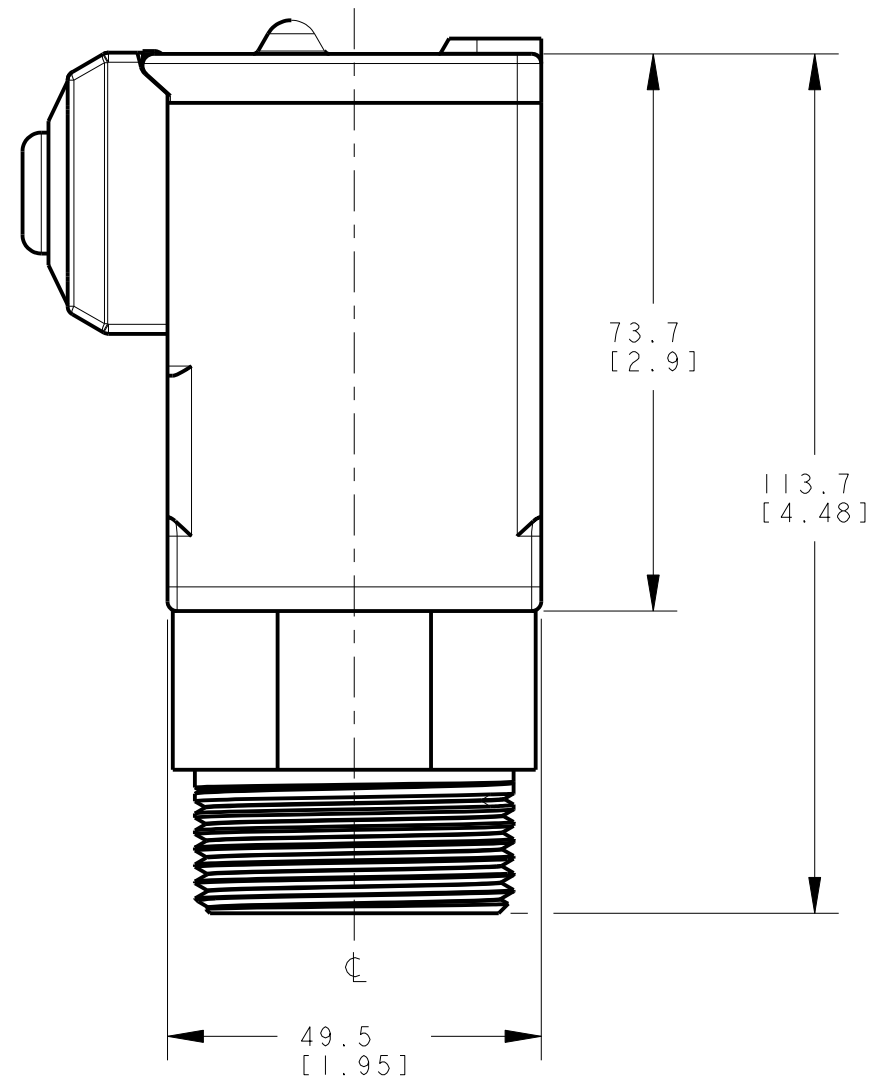
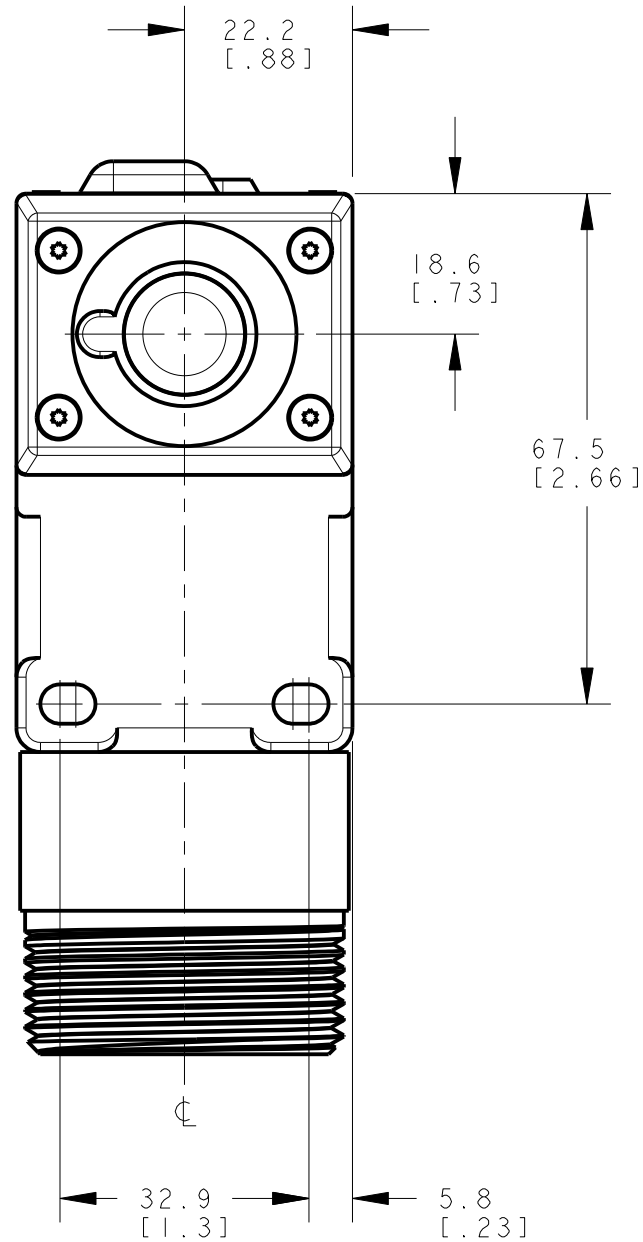
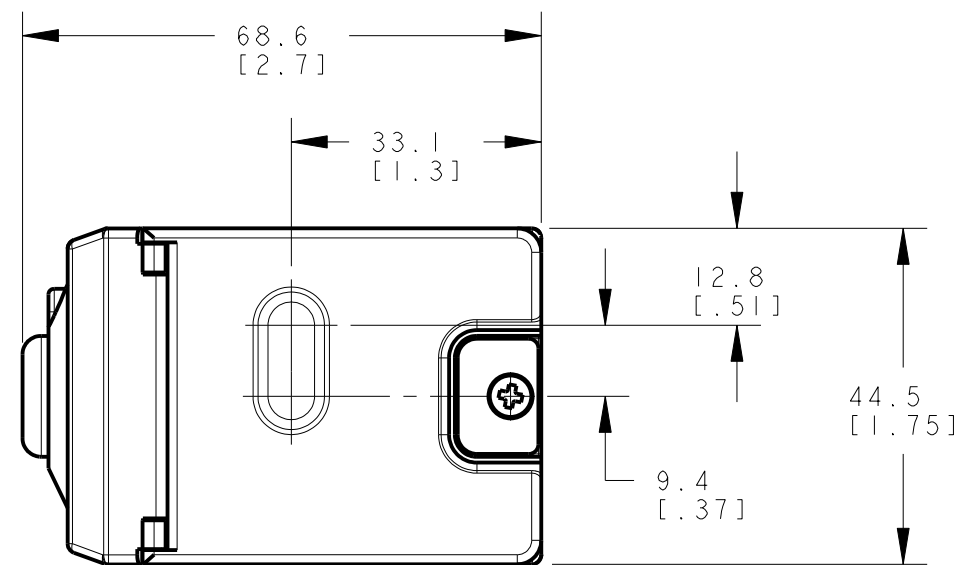
THIRD ANGLE PROJECTION



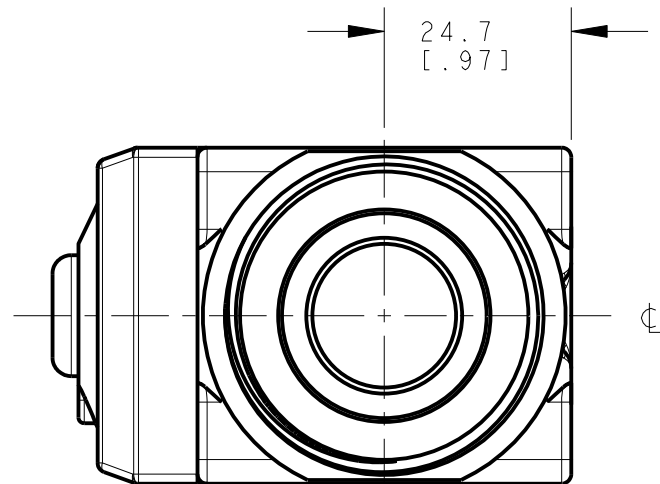
SIZE C	DRAWING NO. <b>218787</b>	REV. <b>A</b>
SCALE 1:1		SHEET 1 OF 2

CREO

DX80NQ45UA ULTRASONIC



ISOMETRIC VIEW  
SCALE 1:1



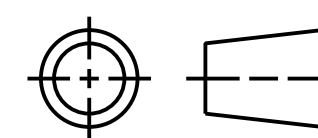
NOTES:  
1. ALL DIMENSIONS ARE MILLIMETERS [INCHES] UNLESS OTHERWISE NOTED.  
2. REFER TO "www.bannerengineering.com" FOR ADDITIONAL DATA AND SPECIFICATIONS.

This drawing is the property of BANNER ENGINEERING CORP. Any use or reproduction, in any form, without prior written permission of Banner is prohibited.  
© 2015 Banner Engineering Corp.

**BANNER** BANNER ENGINEERING CORP.  
www.bannerengineering.com

TITLE  
**STARTERKIT1200 TANK**

THIRD ANGLE PROJECTION



SIZE C DRAWING NO. **218787** REV. **A**

SCALE 1:1 SHEET 2 OF 2

CREO