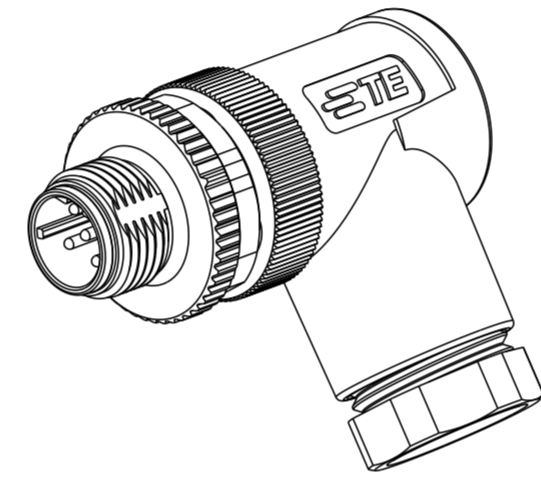
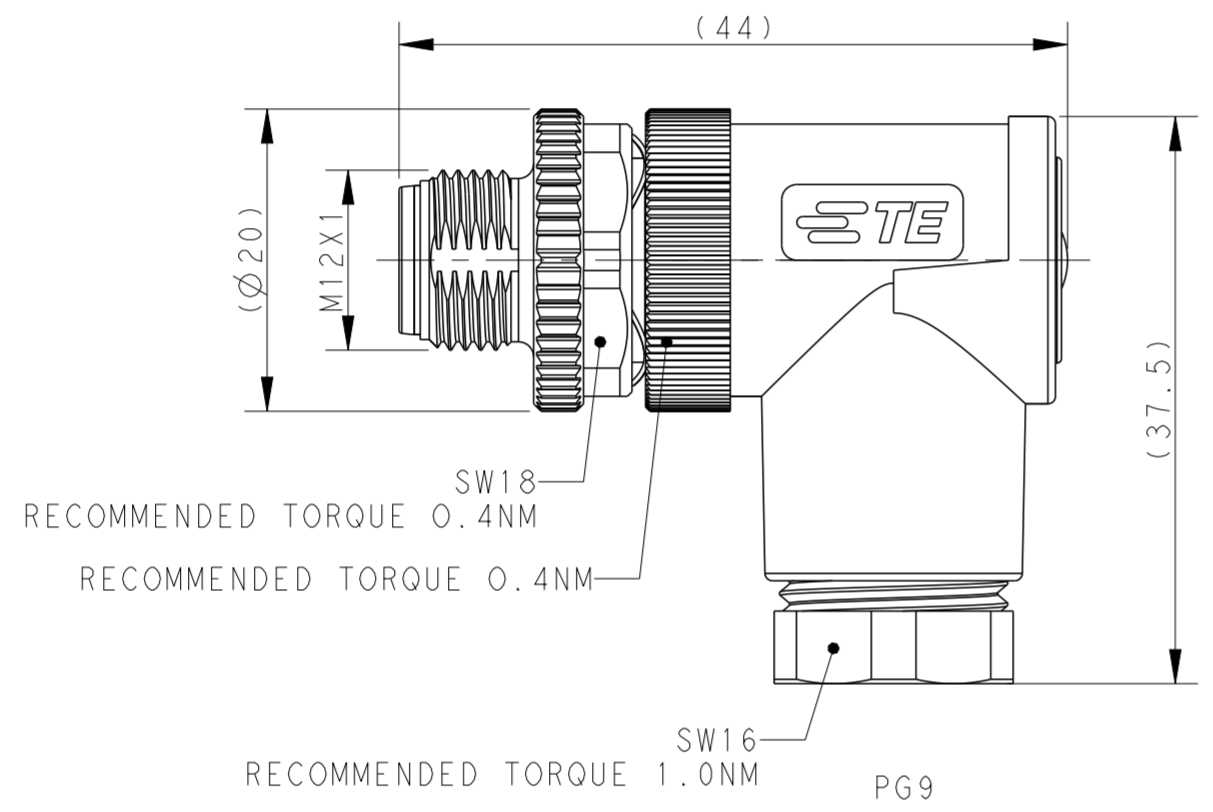
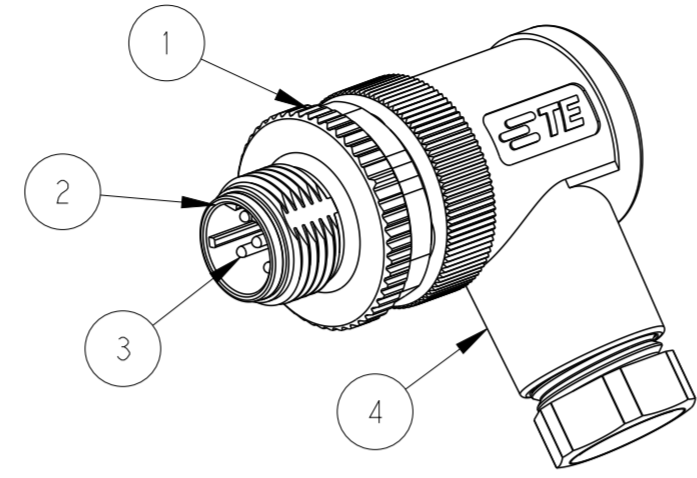
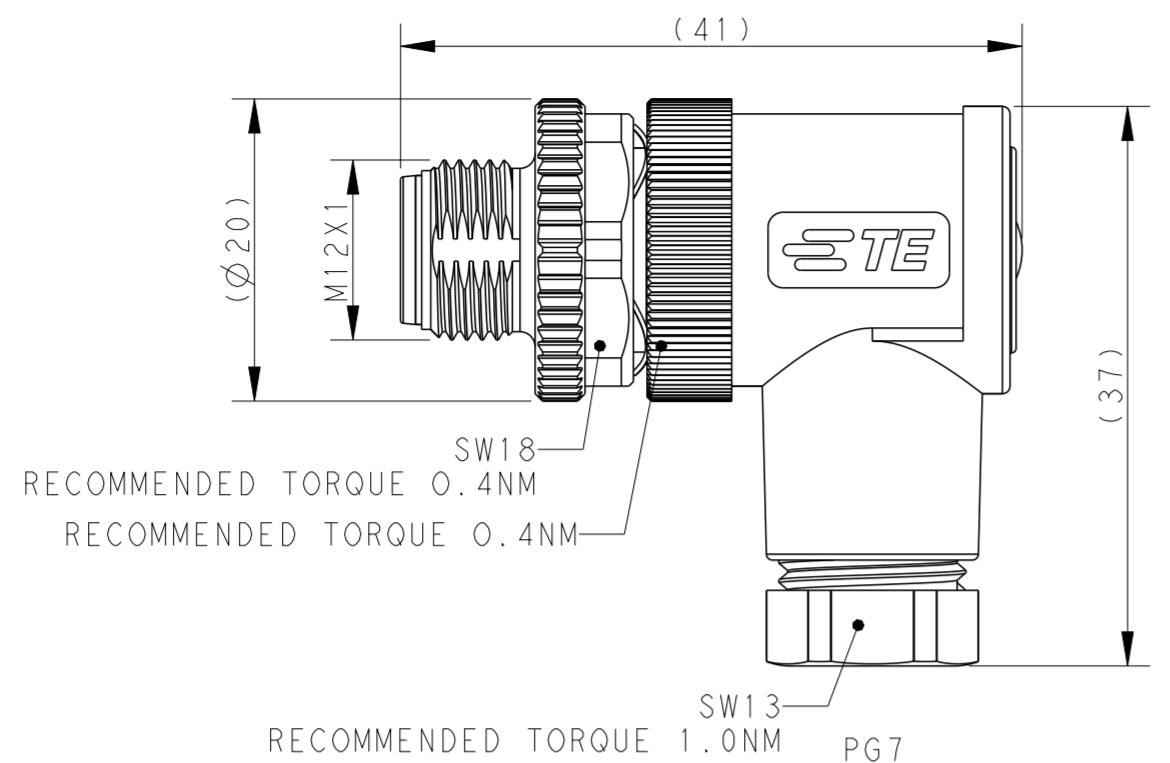
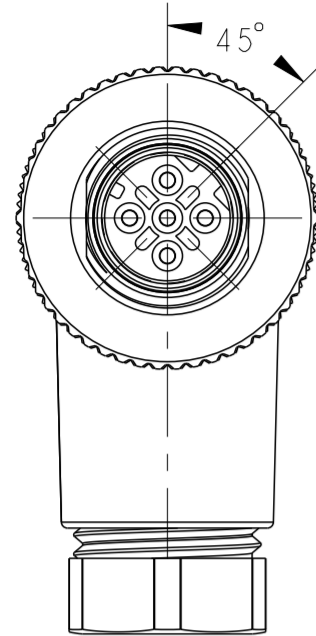


THIS DRAWING IS UNPUBLISHED. RELEASED FOR PUBLICATION 20
COPYRIGHT 20 BY - ALL RIGHTS RESERVED.

REVISIONS				
P	LTR	DESCRIPTION	DATE	APVD
AQ		ECR-15-018715 ADD 114 SPEC.	29DEC2015	NP XX
A2		ECR-16-016708 ADD REF	22JAN2016	NP XX
A3		ECR-20-012708 ADD MODEL PG9	22SEP2020	SC CW
B		ECR-22-132011	25AUG2022	BP CW

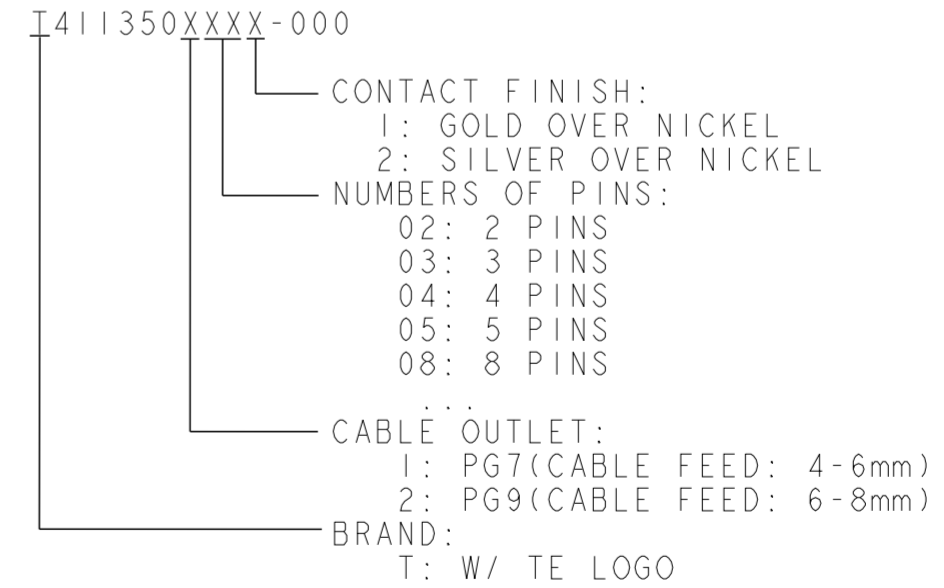


TECHNICAL DATA	T411350X02X-000	T411350X03X-000	T411350X04X-000	T411350X05X-000
	RATED VOLTAGE	250V	250V	250V
RATED CURRENT	4A	4A	4A	4A
POLLUTION DEGREE	3	3	3	3
OVERVOLTAGE CATEGORY	II	II	II	II
MATERIAL GROUP	II	II	II	II
CONTACT RESISTANCE	≤10mΩ	≤10mΩ	≤10mΩ	≤10mΩ
INSULATION RESISTANCE	>100MΩ	>100MΩ	>100MΩ	>100MΩ
DEGREE OF PROTECTION	IP67	IP67	IP67	IP67
OPERATION TEMPERATURE	-40~85°C	-40~85°C	-40~85°C	-40~85°C

- NOTE:
- MATERIAL:
 - ITEM NO.1:NUT -ZINC DIE-CAST,NICKEL PLATED
 - ITEM NO.2:HOUSING -PA
 - ITEM NO.3:CONTACT -BRONZE
 - ITEM NO.4:HOUSING BODY: -ZINC DIE-CAST,NICKEL PLATED
 - CONTACT FINISH: GOLD OVER NICKEL OR SILVER OVER NICKEL
 - CABLE WIRES:
 - 24AWG/0.25mm²...18AWG/0.75mm² (WITHOUT FERRULE)
 - 26AWG/0.14mm²...20AWG/0.50mm² (WITH FERRULE)
 - ALL DIMENSIONS ARE FOR NOMINAL REFERENCE ONLY UNLESS OTHERWISE STATED
 - PACKAGING: IPIECE IN A BAG
 - PN INFORMATION

PIN ARRANGEMENT D-CODE		
T411350X02X-000	T411350X03X-000	T411350X04X-000
T411350X05X-000		

T4113502051-000	RPC-M12D-MR-5CON-PG9-MU
T4113501051-000	RPC-M12D-MR-5CON-PG7-MU
T4113502052-000	RPC-M12D-MR-5CON-PG9-M
T4113501052-000	RPC-M12D-MR-5CON-PG7-M
T4113502041-000	RPC-M12D-MR-4CON-PG9-MU
T4113501041-000	RPC-M12D-MR-4CON-PG7-MU
T4113502042-000	RPC-M12D-MR-4CON-PG9-M
T4113501042-000	RPC-M12D-MR-4CON-PG7-M
T4113502031-000	RPC-M12D-MR-3CON-PG9-MU
T4113501031-000	RPC-M12D-MR-3CON-PG7-MU
T4113502032-000	RPC-M12D-MR-3CON-PG9-M
T4113501032-000	RPC-M12D-MR-3CON-PG7-M
T4113502021-000	RPC-M12D-MR-2CON-PG9-MU
T4113501021-000	RPC-M12D-MR-2CON-PG7-MU
T4113502022-000	RPC-M12D-MR-2CON-PG9-M
T4113501022-000	RPC-M12D-MR-2CON-PG7-M
TE PN	TYPE



THIS DRAWING IS A CONTROLLED DOCUMENT.		DWN HAO WANG 08DEC2014	TE Connectivity	
DIMENSIONS: mm		CHK KOBBY ZHAO 08DEC2014		
TOLERANCES UNLESS OTHERWISE SPECIFIED:		APVD XIANG XU 08DEC2014	NAME M12 MALE, RIGHT ANGLE UNSHIELDED CONNECTOR D CODE, SCREW TERMINAL	
0 PLC ±0.2		PRODUCT SPEC 108-106140	SIZE A2	
1 PLC ±0.2		APPLICATION SPEC 114-137144	CAGE CODE -	
2 PLC ±0.2		WEIGHT -	DRAWING NO C-T411350XXXX000	
3 PLC ±		RESTRICTED TO -		
4 PLC ±		SCALE 2:1 SHEET 1 OF 1 REV B		
ANGLES ±		Customer Drawing		
FINISH -				