

PDM

SKU:U089



Description

PDM mini Unit is a digital MEMS silicon-based microphone based on PDM (Pulse Density Modulation) signal. The microphone has high signal-to-noise ratio, high sensitivity, low power consumption, anti-radio frequency interference, smooth frequency response and other characteristics. It automatically switches the microphone state according to the clock frequency (power down/activate/sleep) and can be widely used for audio data collection on wearable devices and smart digital devices.

Product Features

- I2S PORT, PDM encoding output (CLK/DAT)
- High sensitivity, high signal to noise ratio
- Low power consumption
- Anti-radio frequency interference
- Compatible with LEGO

Include

- 1x PDM mini Unit
- 1x HY2.0 4P Cable(5CM)

Applications

- Spectrum Analyzer
- Recorder
- Noise meter

Specification

Resources	Parameter
Sensitivity	94dB SPL@1KHz Nom.:22dBFS
Signal to Noise Ratio	94dB SPL@1KHz,A-weighted Nom.:61.4dB
Total Harmonic Distortion	100dB SPL@1KHz Nom.:1%
Working voltage range	1.6 V to 3.6 V
Working Current	600μA
Net Weight	4g
Gross Weight	8g
Product Size	24*24*13mm
Package Size	35*36*18mm

Related Link

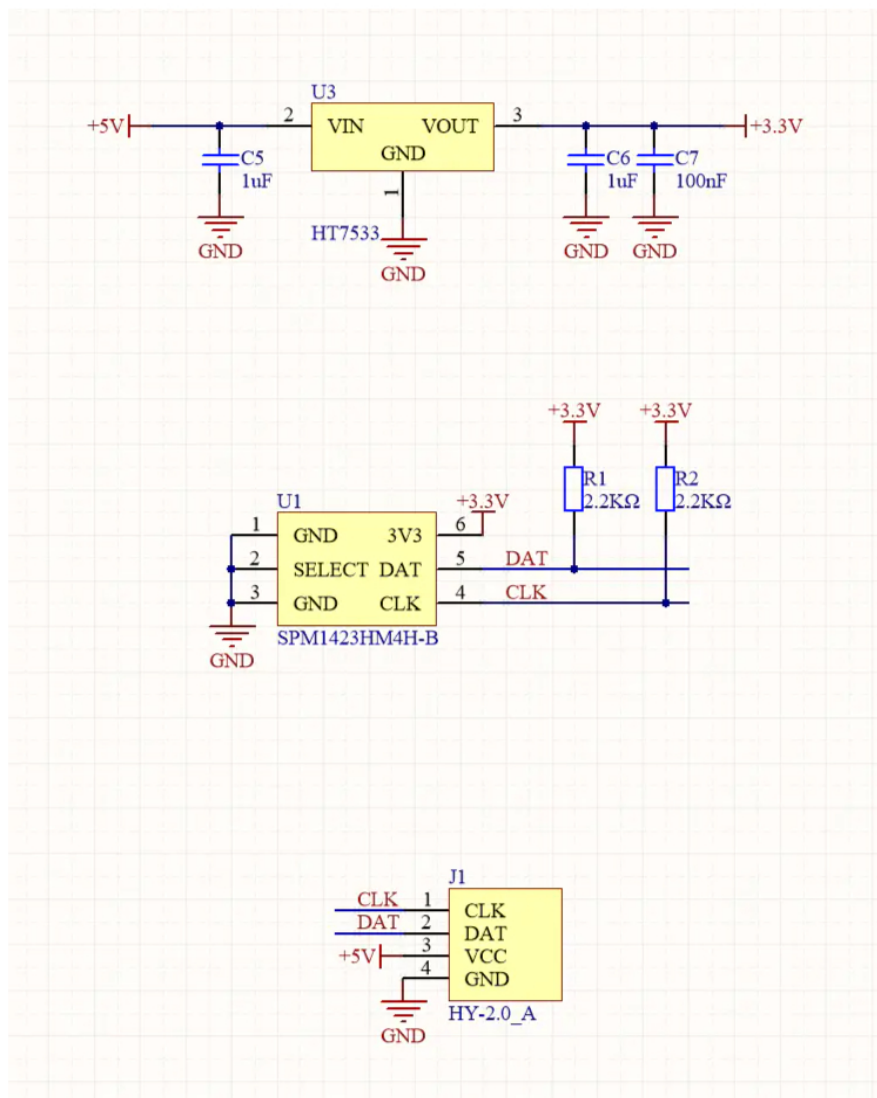
Datasheet

[SPM1423](#)

EasyLoader

EasyLoader is a concise and fast program writer, which has a built-in case program related to the product. It can be burned to the main control by simple steps to perform a series of function verification. Please install the corresponding driver according to the device type. M5Core host (Please click [here](#) to view the CP210X driver installation tutorial, M5StickC/V/T/ATOM series can be used without driver)

Schematic



Example

1. Arduino

Please click [here](#) to download Arduino Code.

