

XDPE132G5H Digital Multi-phase Controller

16-phase Dual Loop PWM Voltage Regulator

Quality Requirement Category: Industrial

Features

- 16-phase single or up to 8+8 dual loop configurable PWM Controller
- I2C and PMBus Rev 1.3 with AVSBus for output voltage control and telemetry
- 0.625 mV VID step via PMBUS VOUT_COMMAND
- AMD SVI2 Rev 1.10 compliant with Peak Current Control (PCC) and IOU_T telemetry support up to 1023 A
- nVIDIA PWMVID compliant
- Phase Fault Protection and Flag with auto-compensation
- Digitally Programmable Load Line – No external components
- Min/Max Telemetry registers and real-time monitoring via PMBus and AVSBus (I_{OUT}, V_{OUT}, Temp)
- Phase current sense gain and offset calibration
- Cycle-by-cycle phase current limit
- Analog “IMON” for output current reporting
- Two IOU_{T_WARN} pins to flag an output OC condition on both loops
- Input Over Power flag
- Catastrophic Fault Output (CAT_FLT) pin
- Dual Enable Pins
- Adaptive Transient Algorithm (ATA) minimizes output bulk capacitors and system cost
- Efficiency Shaping Features using Dynamic Phase Control and Diode Emulation
- Protections: OVP, UVP, OC Warn, OCP, OT Warn, OTP, cycle-by-cycle per phase current limit
- Multiple Time Programming (MTP) with up to 25 writes for USER Section
- Compatible with 3.3 V tri-state Drivers
- 200 kHz to 2 MHz switching frequency per phase
- +3.3 V supply voltage; -40 °C to 120 °C Ambient
- Pb-Free, Halogen Free, RoHS, 7x7 mm, 56-pin, 0.4 mm pitch QFN

Applications

- AMD SVI2 GPU and CPU Processors
- nVIDIA GPU Processors
- High Performance ASIC Processors with AVSBus.
- High performance Ethernet Switching and Routing ASSPs

Description

The XDPE132G5H is a digital multi-phase buck controller that can be configured in either a single loop or dual loop mode with a feature set optimized to support high performance processors that require AVSBus, AMD SVI2, or nVIDIA PWMVID. It can support up to 16 phases and allows flexible phase assignment between the two loops. The controller allows system voltage set point programming and margining through PMBus or dynamic voltage

XDPE132G5H Digital Multi-phase Controller

16-phase Dual Loop PWM Voltage Regulator



Description

scaling through AVSBus. The output voltage set point can also be controlled through the SVI2 bus or the nVIDIA PWM_VID.

The XDPE132G5H includes Efficiency Shaping Technology to deliver exceptional efficiency at minimum cost across the entire load range. Dynamic Phase Control adds/drops phases based upon load current. The XDPE132G5H can be configured to enter 1- or 2-phase operation and active diode emulation mode automatically or by command (through PMBus, AVSBus, or SVI2 commands).

The XDPE132G5H offers digitally programmable load line thereby eliminating the need for any external load line setting components. The controller is designed to work with internal current sense OptiMOS™ Power Stages and provides accurate input and output current reporting.

A unique Adaptive Transient Algorithm (ATA), based on proprietary non-linear control algorithms provides excellent transient response with reduced output capacitance. The controller also supports programmable cycle-by-cycle per phase current limit for superior dynamic current limiting.

The I2C/PMBus interface can communicate with up to 127 XDPE132G5H-based controllers. Device configuration and fault parameters are easily defined using the OpenPower GUI and stored in on-chip memory.

The XDPE132G5H's extensive fault protection includes output OV, UV and OC protection, with 2 OT protection inputs with an OT Warning VRHOT signal output, and two output over-current warning flags.

Note: "Infineon strongly recommends pairing Infineon's OptiMOS™ Power Stages with our Digital XDP™ family of controllers to ensure correct interoperability. Interoperability when pairing with other vendor power stages/ discrete power components cannot be guaranteed by Infineon and requires thorough evaluation and characterization by the power stage/ discrete power component vendor."

XDPE132G5H Digital Multi-phase Controller

16-phase Dual Loop PWM Voltage Regulator



Description

1 Ordering Information

Base Part Number	Package Type	Standard Pack		Orderable Part Number
		Form	Qty	
XDPE132G5H	QFN 7 mm x 7 mm	Tape and Reel	3000	XDPE132G5H-Gxxx ¹
XDPE132G5H	QFN 7 mm x 7 mm	Tape and Reel	3000	XDPE132G5H-G000

Note: 1) Customer Specific Configuration File, where xxx = Customer Configuration File (Codes assigned by IFX Marketing).

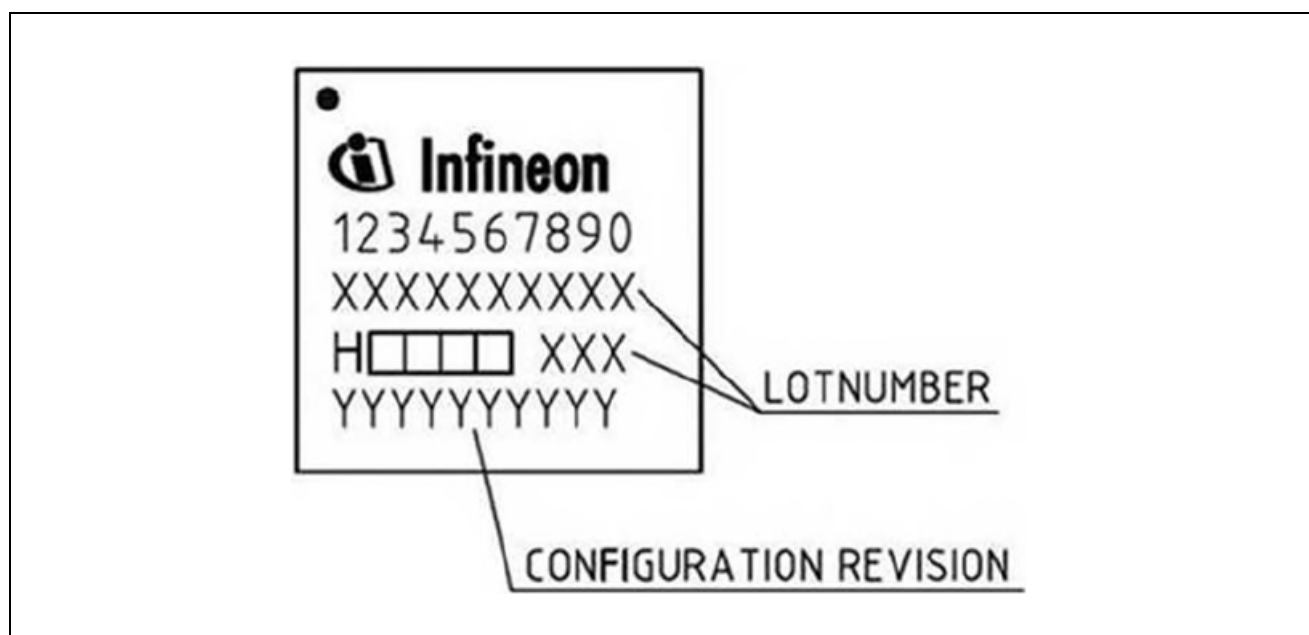


Figure 1 Package Marking

Description

2 Typical Application Diagram

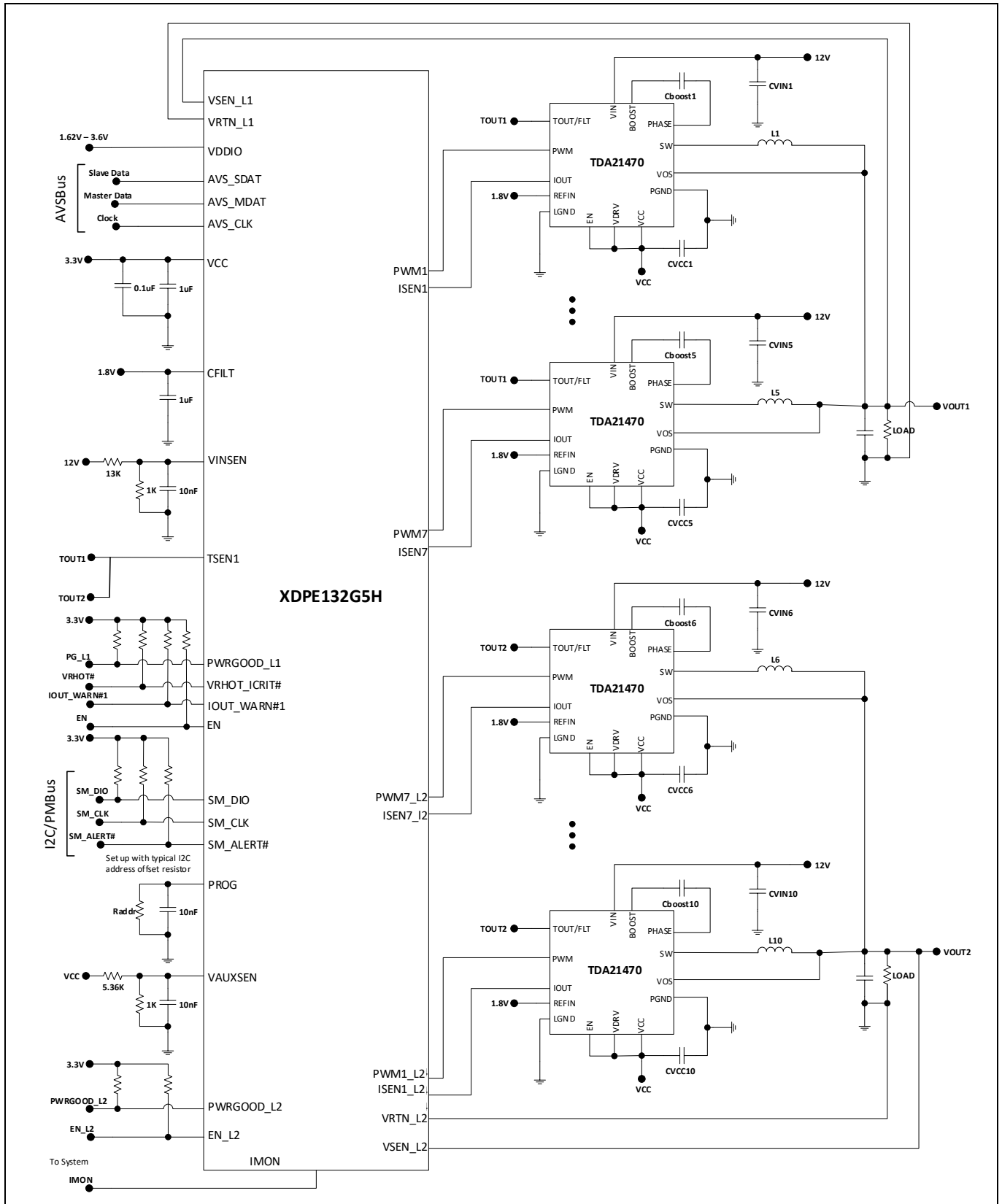


Figure 2 Dual Loop VR using XDPE132G5H Controller and TDA21470 Power Stage in 7+7 Phase Configuration

Trademarks of Infineon Technologies AG

μ HVIC™, μ IPM™, μ PFC™, AU-ConvertIR™, AURIX™, C166™, CanPAK™, CIPOS™, CIPURSE™, CoolDP™, CoolGaN™, COOLiR™, CoolMOS™, CoolSET™, CoolSiC™, DAVE™, DI-POL™, DirectFET™, DrBlade™, EasyPIM™, EconoBRIDGE™, EconoDUAL™, EconoPACK™, EconoPIM™, EiceDRIVER™, eupec™, FCOS™, GaNpowIR™, HEXFET™, HITFET™, HybridPACK™, iMOTION™, IRAM™, ISOFACE™, IsoPACK™, LEDrivr™, LITIX™, MIPAQ™, ModSTACK™, my-d™, NovalithIC™, OPTIGA™, OptiMOS™, ORIGA™, PowIRaudio™, PowIRstage™, PrimePACK™, PrimeSTACK™, PROFET™, PRO-SIL™, RASIC™, REAL3™, SmartLEWIS™, SOLID FLASH™, SPOC™, StrongIRFET™, SupIRBuck™, TEMPFET™, TRENCHSTOP™, TriCore™, UHVIC™, XHP™, XMC™

Trademarks updated November 2015

Other Trademarks

All referenced product or service names and trademarks are the property of their respective owners.

Edition 2021-07-15

Published by

Infineon Technologies AG

81726 München, Germany

© 2021 Infineon Technologies AG.

All Rights Reserved.

Do you have a question about this document?

Email: erratum@infineon.com

Document reference

XDPE132G5H

IMPORTANT NOTICE

The information given in this document shall in no event be regarded as a guarantee of conditions or characteristics ("Beschaffheitsgarantie").

With respect to any examples, hints or any typical values stated herein and/or any information regarding the application of the product, Infineon Technologies hereby disclaims any and all warranties and liabilities of any kind, including without limitation warranties of non-infringement of intellectual property rights of any third party.

In addition, any information given in this document is subject to customer's compliance with its obligations stated in this document and any applicable legal requirements, norms and standards concerning customer's products and any use of the product of Infineon Technologies in customer's applications.

The data contained in this document is exclusively intended for technically trained staff. It is the responsibility of customer's technical departments to evaluate the suitability of the product for the intended application and the completeness of the product information given in this document with respect to such application.

For further information on the product, technology delivery terms and conditions and prices please contact your nearest Infineon Technologies office (www.infineon.com).

WARNINGS

Due to technical requirements products may contain dangerous substances. For information on the types in question please contact your nearest Infineon Technologies office.

Except as otherwise explicitly approved by Infineon Technologies in a written document signed by authorized representatives of Infineon Technologies, Infineon Technologies' products may not be used in any applications where a failure of the product or any consequences of the use thereof can reasonably be expected to result in personal injury.