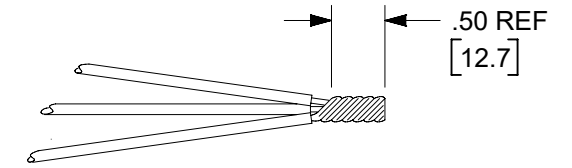


WIRE COMBINATIONS FOR NYLON-INSUALTED CLOSED END CONNECTORS

MOLEX P/N: 191600024 (NC-8), 191600131 (NC-8 BULK)  
191600028 (NC-8T)

WIRE PREPARATION

- A.) STRIP LEADS TO APPROXIMATELY .88 (22.2)
- B.) PRETWIST WIRE COMBINATION EVENLY AND TIGHT.
- C.) TRIM STRIPPED PRETWISTED ZONE TO .50 (12.7) LONG.



UL LISTED & CSA CERTIFIED WIRE COMBINATIONS

STRANDED WIRE ONLY

8 AWG	10 AWG	12 AWG	14 AWG	16 AWG	18 AWG
				5	3
				5	2
				5	1
				4	
				4	6
				4	5
				4	4
				4	3
				4	2
				4	1
				3	8
				3	7
				3	6
				3	5
				3	4
				3	3
				3	2
				2	9
					8
					7
					6
					5
					4
					11
					10
					9
					8
					6
					5
					12
					11
					10
					9
					8
					7
1			1		
1				1	
1					1
1					2

STRANDED WIRE ONLY

10 AWG	12 AWG	14 AWG	16 AWG	18 AWG
2				
1	1			
1		2		
1			4	
1			2	
1			1	
1				6
1				5
1				4
1				3
1				2
1				1
	1	3		
	1	2		
	1	1		
	1		5	
	1		4	
	1		3	
	1		2	
	1			8
	1			7
	1			6
	1			5
	1			4
	1			3
	2	2		
	2		3	
	2		2	
	2		1	
	2			4
	2			3
	2			2
	2			1
	2			
	3			
		6		
		5		
		4		2
		4		1

STRANDED WIRE ONLY

12 AWG	14 AWG	16 AWG	18 AWG
	3		
	3	3	
	3	2	
	3	1	
	3		5
	3		4
	3		3
	3		2
	3		1
	2	4	
	2	3	
	2	2	
	2	1	
	2		7
	2		6
	2		5
	2		4
	2		3
	2		2
	1	6	
	1	5	
	1	4	
	1	3	
	1		10
	1		9
	1		8
	1		7
	1		6
	1		5
	1		4
		7	
		7	1
		6	
		6	3
		6	2
		6	1
		5	
		5	4

\* - RATED 300 VOLTS ALL OTHER 600 VOLTS



RATING 105°C 600 VOLT  
(1000 VOLT IN SIGNS OR FIXTURES)  
FILE: E32244



RATING 125°C 600 VOLT  
(1000 VOLT IN SIGNS OR FIXTURES)  
FILE: LR 18689

APPLICATION WITH HANDTOOL:

HOLD TOOL WITH LOCATOR PLATE FACING UP.  
INSERT CLOSED END CONNECTOR IN HOLE.  
INSURE THAT SHOULDER OF CONNECTOR IS RESTING ON LOCATOR PLATE.  
CLOSE TOOL JAWS UNTIL CONNECTOR IS HELD SNUG IN PLACE.  
LOAD CONNECTOR WITH DESIRED WIRE COMBINATION.  
COMPLETE CRIMP BY CLOSING TOOL HANDLES UNTIL THEY RELEASE.

CRIMP TOOLING AVAILABLE

640012500 (RHT-2080) HANDTOOL  
640052500 (AT-2080) CRIMP HEAD FOR 192790001 (AT-200)  
AIR HAND TOOL



192280030 (ATP-301) AIR TAPE PRESS OR  
638853500 MINI-MAC TAPE APPLICATOR WITH  
192880245 (ATP-NC-8) CRIMPING DIES

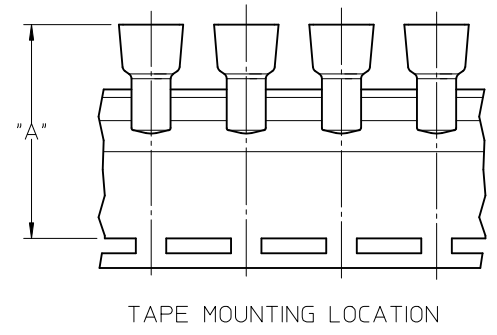
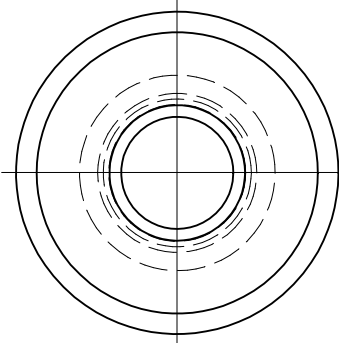
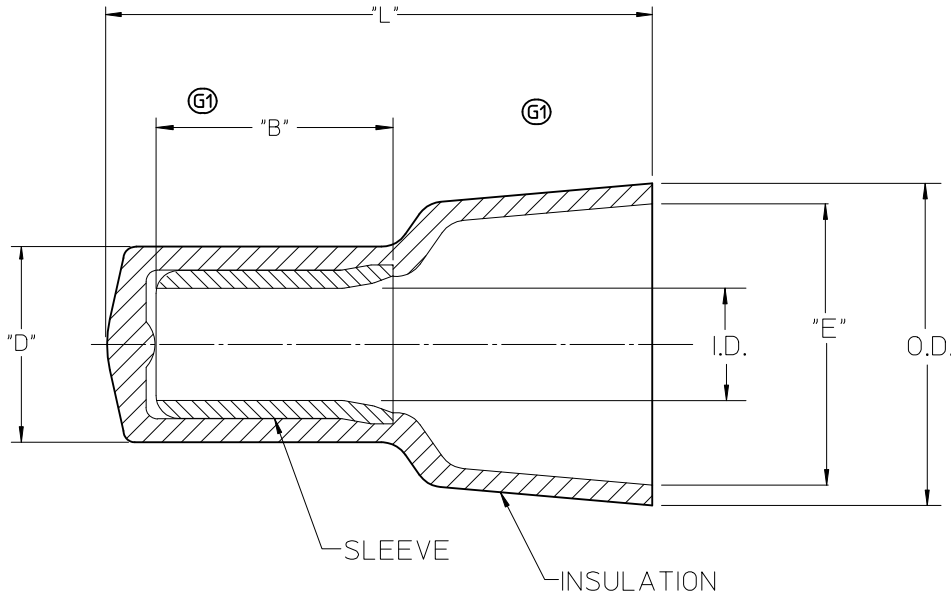
ALTERNATE: HOLLINGSWORTH HAND TOOL USING:  
H-15 OR H38-15 DIE NUMBERS.

ADDITIONAL UL/ CSA WIRE COMBINATIONS  
(2) 12 AWG STRANDED WITH (1) 12 AWG SOLID

NOTE: THIS DOCUMENT USED TO MAKE STUFFER SHEET  
PART NO: 194080109  
DOC NO'S: E-19160-009 & PK-19408-109

FUNCTIONAL SYMBOLS FA = 0 FE = 0 FD = 0	THIS DRAWING CONTAINS INFORMATION THAT IS PROPRIETARY TO MOLEX ELECTRONIC TECHNOLOGIES, LLC AND SHOULD NOT BE USED WITHOUT WRITTEN PERMISSION		CURRENT REV DESC: CRIMP TOOLING P/N'S UPDATED.			
	DIMENSION UNITS INCH/MM	SCALE NTS				
	GENERAL TOLERANCES (UNLESS SPECIFIED)		EC NO: 704038		CLOSED END CONNECTOR WIRE COMBINATIONS NC-8 PRODUCT SPECIFICATION	
	DIVISIONAL SYMBOLS		DRWN: DMYRICK 2022/04/11		PRODUCT CUSTOMER DRAWING	
4 PLACES ±		CHKD: JMACNEIL 2022/05/04		DOCUMENT NUMBER		
3 PLACES ±		APPR: JMACNEIL 2022/05/04		PSD		
2 PLACES ±		INITIAL REVISION:		DOC PART		
1 PLACE ±		DRWN: JHACKNEY 1999/11/03		REVISION		
0 PLACES ±		APPR: JMACNEIL 2012/06/06		PS-19160-008		
ANGULAR TOL ± °		THIRD ANGLE PROJECTION		PSD 001 D1		
DRAFT WHERE APPLICABLE MUST REMAIN WITHIN DIMENSIONS		DRAWING		SHEET NUMBER		
		B-SIZE 19160		1 OF 1		

LOOSE PIECE		TAPE MOUNTED		"L" MAX.	"B" MIN (G1)	"D" MAX.	"E" MIN.	I.D. MIN.	O.D. MAX.	"A" DIM ±.02/0.5 (G1)
MATERIAL NO.	ENG. NO.	MATERIAL NO.	ENG. NO.							
191600012	NC-2214	191600070	NC-2214T	.62/15.7	.30/7.6	.19/4.8	.24/6.1	.09/2.3	.32/8.1	1.54/39.2
191600009	NC-2212	191600071	NC-2212T	.76/19.3	.30/7.6	.23/5.8	.27/6.9	.10/2.5	.36/9.1	1.63/41.4
191600002	NC-1610	191600083	NC-1610T	.90/22.8	.28/7.1	.28/7.1	.38/9.6	.15/3.8	.45/11.4	1.75/44.5
191600024	NC-8	191600028	NC-8T	1.10/27.9	.42/10.6	.36/9.1	.48/12.2	.21/5.3	.57/14.5	1.86/47.4



NOTES:

- MATERIAL: SLEEVE: TIN-PLATED COPPER  
INSULATION: 6/6 NYLON,  
NATURAL TRANSLUCENT
- PARTS ARE ROHS COMPLIANT.

SALES DRAWING

<b>CORRECT TOLERANCES</b> EC NO: WNA2010-0673 DRAWN BY: DRW/ETHRODAHL 2010/05/07 CHK'D R: DEROSS 04/02/23 APPR: JMAGNEIL 2010/06/23	QUALITY SYMBOLS ▽=0 ▽=0	GENERAL TOLERANCES (UNLESS SPECIFIED)		DIMENSION STYLE		SCALE	DESIGN UNITS	THIRD ANGLE PROJECTION			
				IN/MM		5:1	INCH				
				mm	INCH	DRAWN BY	DATE	TITLE			
				4 PLACES ± --- ± ---	3 PLACES ± --- ± ---	H. BEITZE	04/02/23	CLOSED END CONNECTORS NYLON INSULATED MOLEX INCORPORATED			
				2 PLACES ± --- ± ---	1 PLACE ± --- ± ---	R. DEROSS	04/02/23				
		ANGULAR ± ---°		APPROVED BY	DATE	DOCUMENT NO.		SHEET NO.			
		DRAFT WHERE APPLICABLE MUST REMAIN WITHIN DIMENSIONS		R. DEROSS	04/02/23	SD-19160-001		1 OF 1			
				MATERIAL NO.		SEE CHART		THIS DRAWING CONTAINS INFORMATION THAT IS PROPRIETARY TO MOLEX INCORPORATED AND SHOULD NOT BE USED WITHOUT WRITTEN PERMISSION			
				SIZE	B						