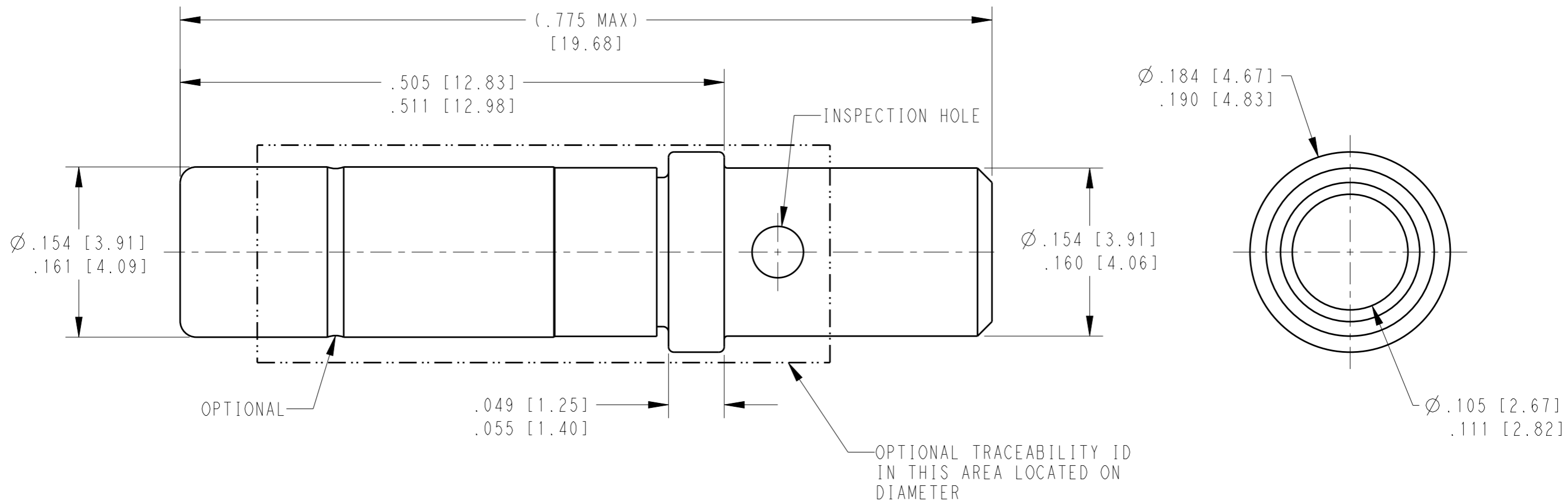


REVISIONS

P	LTR	DESCRIPTION	DATE	DWN	APVD
NC		NEW RELEASE PER E.O P15504	22FEB2007	-	RDR
A		NEW RELEASE PER E.O. P20205	04JUN2009	DM	RDR
B		REVISED PER E-18-001206	24JAN2018	JA	DM
B1		REVISED PER PCN E-19-018080	19NOV2019	MK	DM



TE INTERNAL PN	DEUTSCH PN	PLATING
0462-203-1231	0462-203-1231	GOLD
0462-203-12141	0462-203-12141	NICKEL

THIS DRAWING IS A CONTROLLED DOCUMENT.		DWN D. MEYER 16DEC1997	STE TE Connectivity	
DIMENSIONS: INCHES [mm]		CHK M. GONZALES 03JUN2009		
TOLERANCES UNLESS OTHERWISE SPECIFIED:		APVD R. REED 04JUN2009	NAME CONTACT SOCKET SIZE 12	
0 PLC \pm		PRODUCT SPEC 108-151004	SIZE A3	
1 PLC \pm		APPLICATION SPEC 114-151004	CAGE CODE 4AFU8	DRAWING NO 0462-203-12XX
2 PLC \pm		WEIGHT 1.27g	RESTRICTED TO	
3 PLC \pm		CUSTOMER DRAWING	SCALE 10:1	SHEET 1 OF 1
4 PLC \pm			REV B1	
ANGLES \pm				
FINISH				

(B1) 1. SEE APPLICATION SPECIFICATION 114-151004 FOR CRIMP TOOLS AND WIRE RANGE

NOTES: