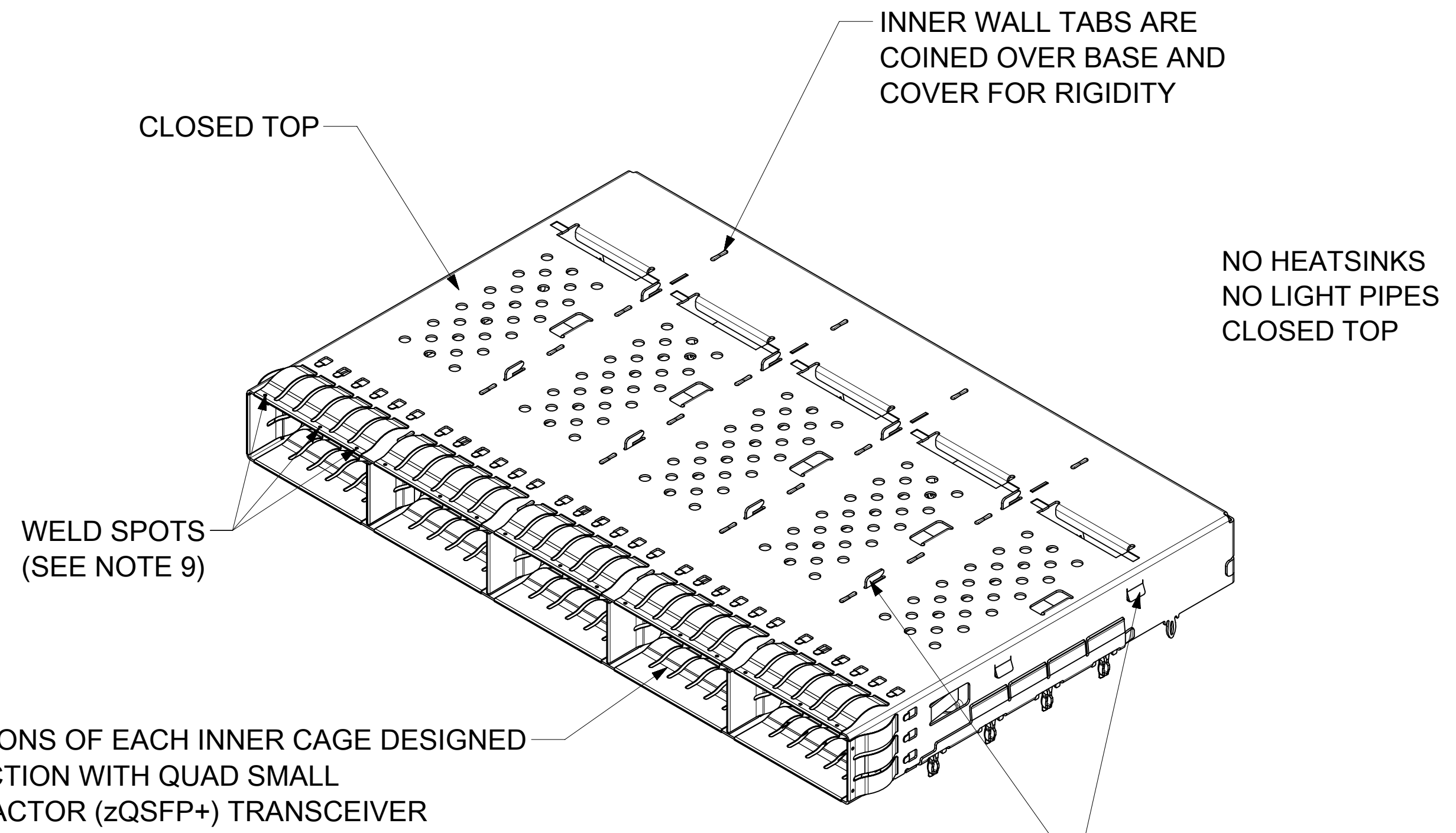
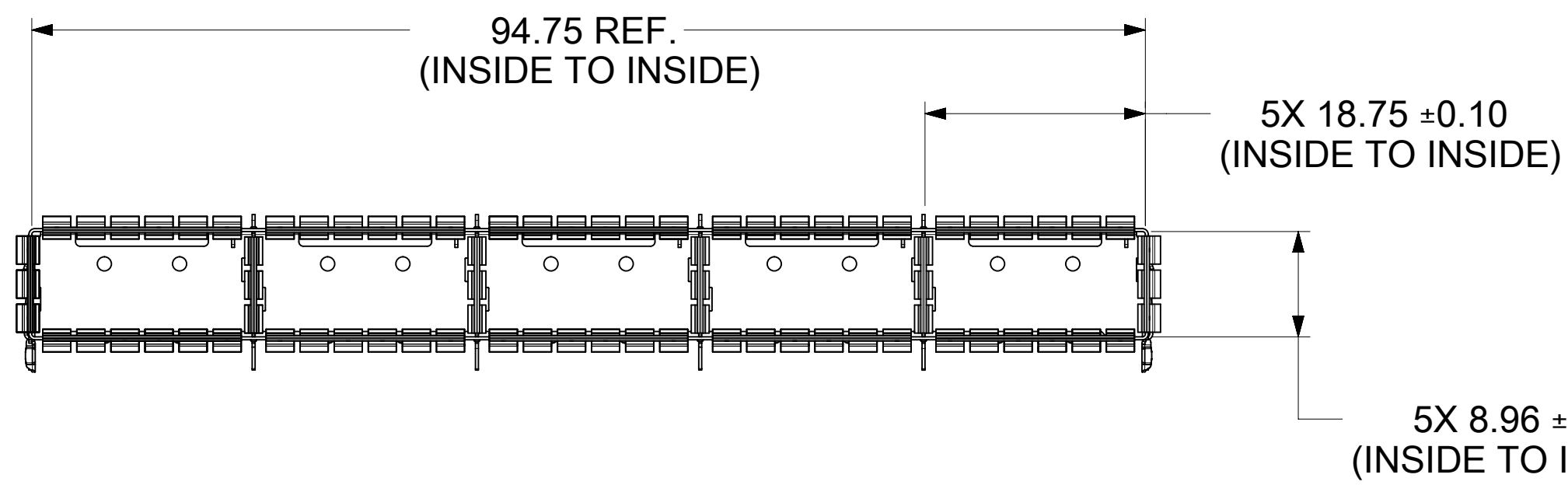
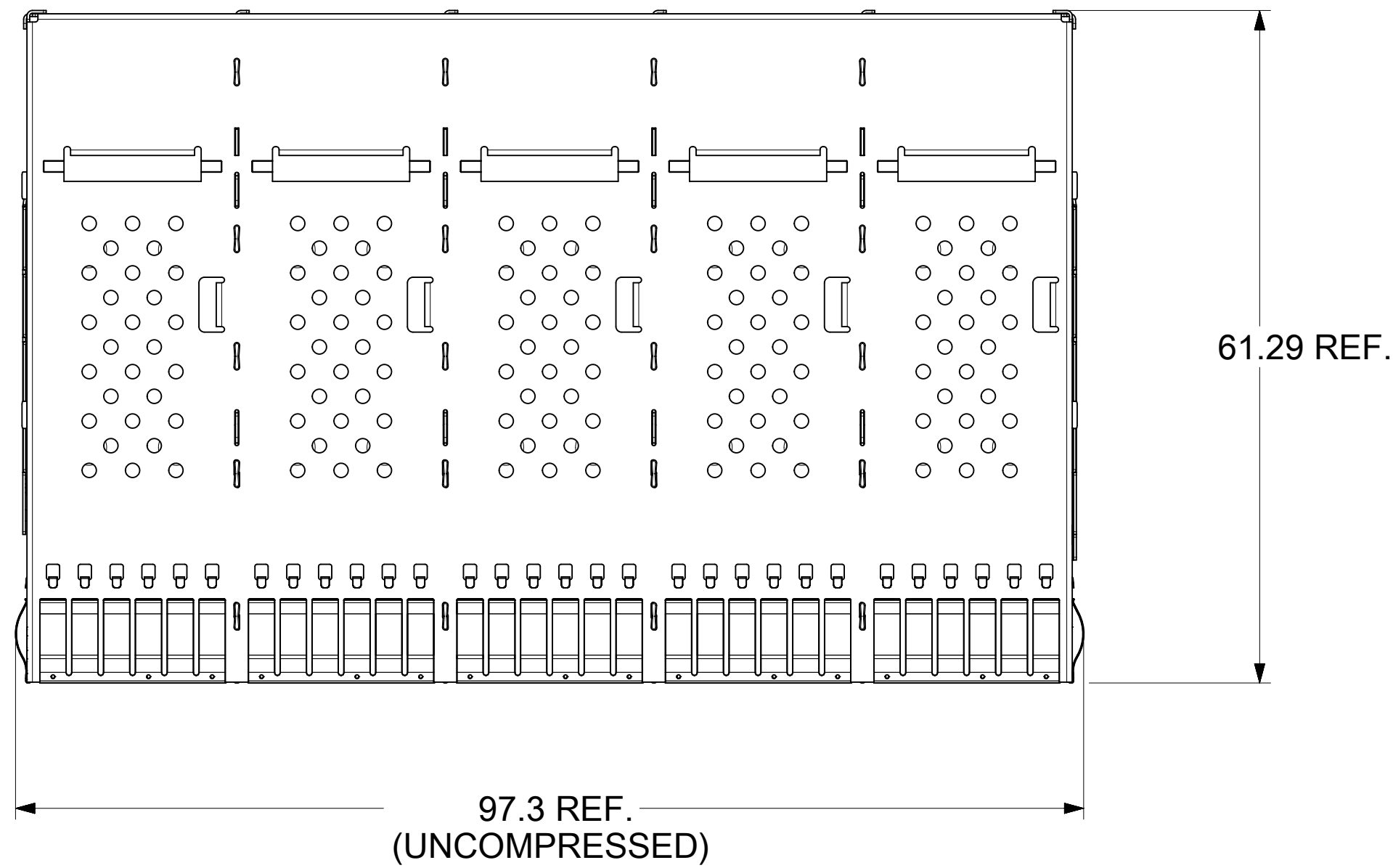


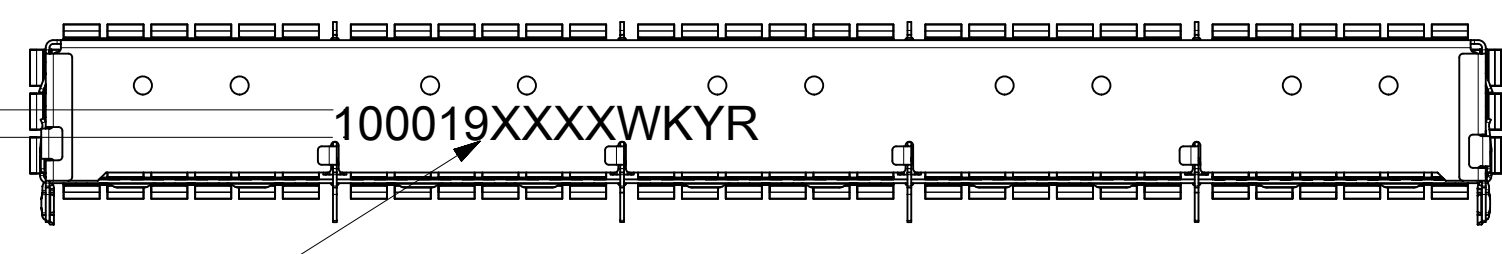
BASIC CAGE DETAILS

1000193240

SHOWN



MOLEX P/N W/ SPRING FINGERS	#OF REAR LEGS PER PORT
1000193240	0



P/N AND WEEK/YEAR DATE CODE TO BE PRINTED ON BACK OF COMPLETED CAGE ASSEMBLY APPROXIMATELY AS SHOWN.
NOTES:
SEE TABLE BELOW FOR DATE CODE INFORMATION

- NOTES:
- MATERIAL: CAGE: STAINLESS STEEL
CENTER WALLS: STAINLESS STEEL
SPRING FINGERS: STAINLESS STEEL
HEAT SINKS: NICKEL PLATED ALUMINUM
HEAT SINK CLIP: STAINLESS STEEL
LIGHT PIPES: POLYCARBONATE (UL 94-V-0)
 - DIMENSIONS MARKED ∇ ARE CRITICAL TO FUNCTION OF THE PART AND MUST BE INSPECTED
 - DRAWING APPLIES TO ALL P/N'S SHOWN ON PAGE 3
 - DURING INCOMING INSPECTION, CAGE LEG LOCATIONS AND STRAIGHTNESS MUST BE CHECKED USING APPROPRIATE GO - NO GO GAGE
 - DURING INCOMING INSPECTION, CAGE MUST BE INSPECTED TO MAKE SURE LEG CONFIGURATIONS AND PART NUMBERS ARE CORRECT, USE SHEETS 3, 4 AND 5
 - PARTS TO BE INSPECTED PER MOLEX COSMETIC SPEC WI-HP-7-2774 (CLASS B UNLESS OTHERWISE SPECIFIED)
 - PRESS-FIT LEGS 2.44 LONG -
1.57 MINIMUM PCB THICKNESS FOR SINGLE SIDED USE.
3.00 MINIMUM PCB THICKNESS FOR BELLY TO BELLY USE.
 - NO RoHS EXEMPTIONS.
 - WELD SPOTS MAY SHOW SLIGHT MATERIAL DISCOLORATION.

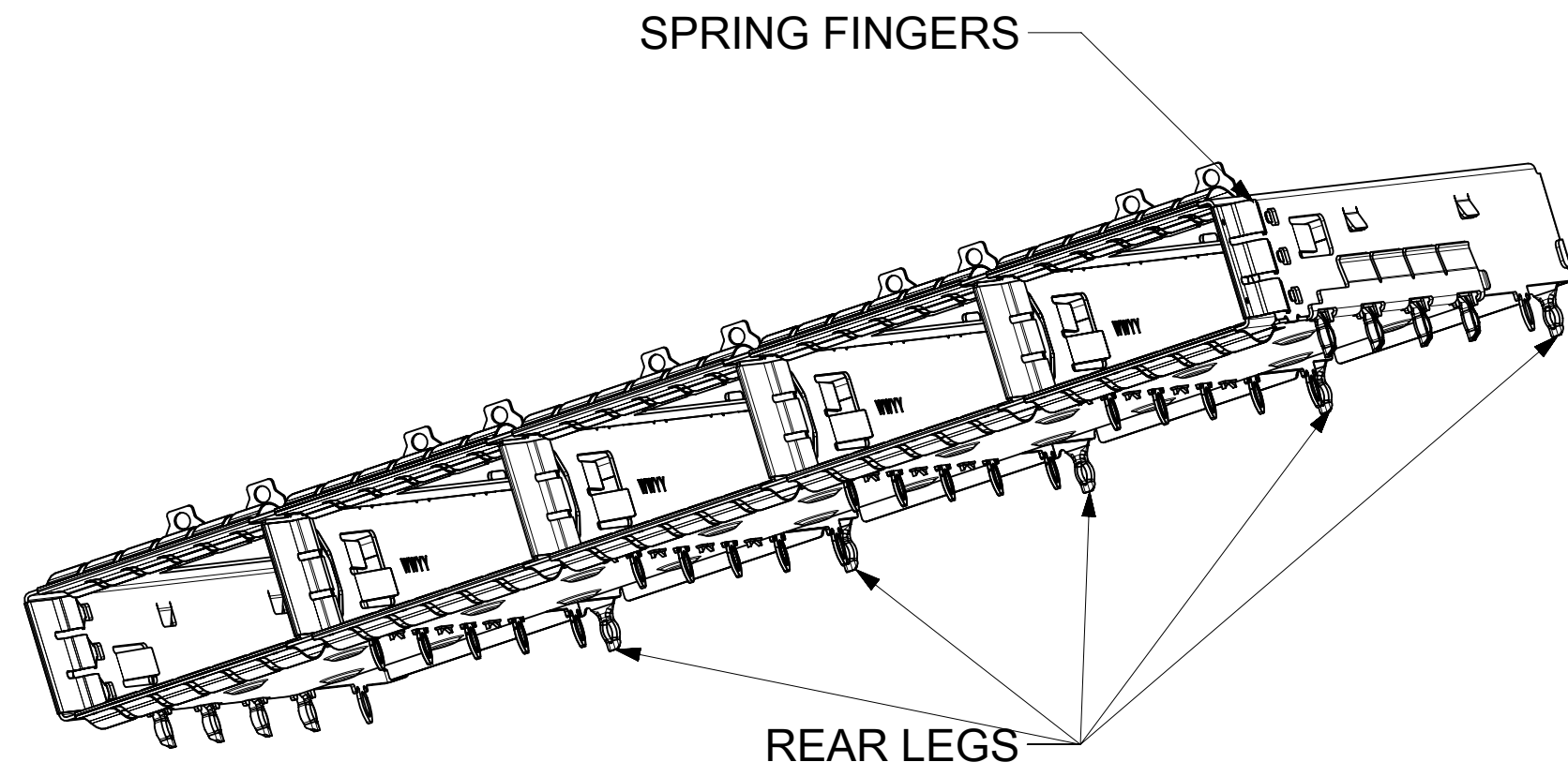
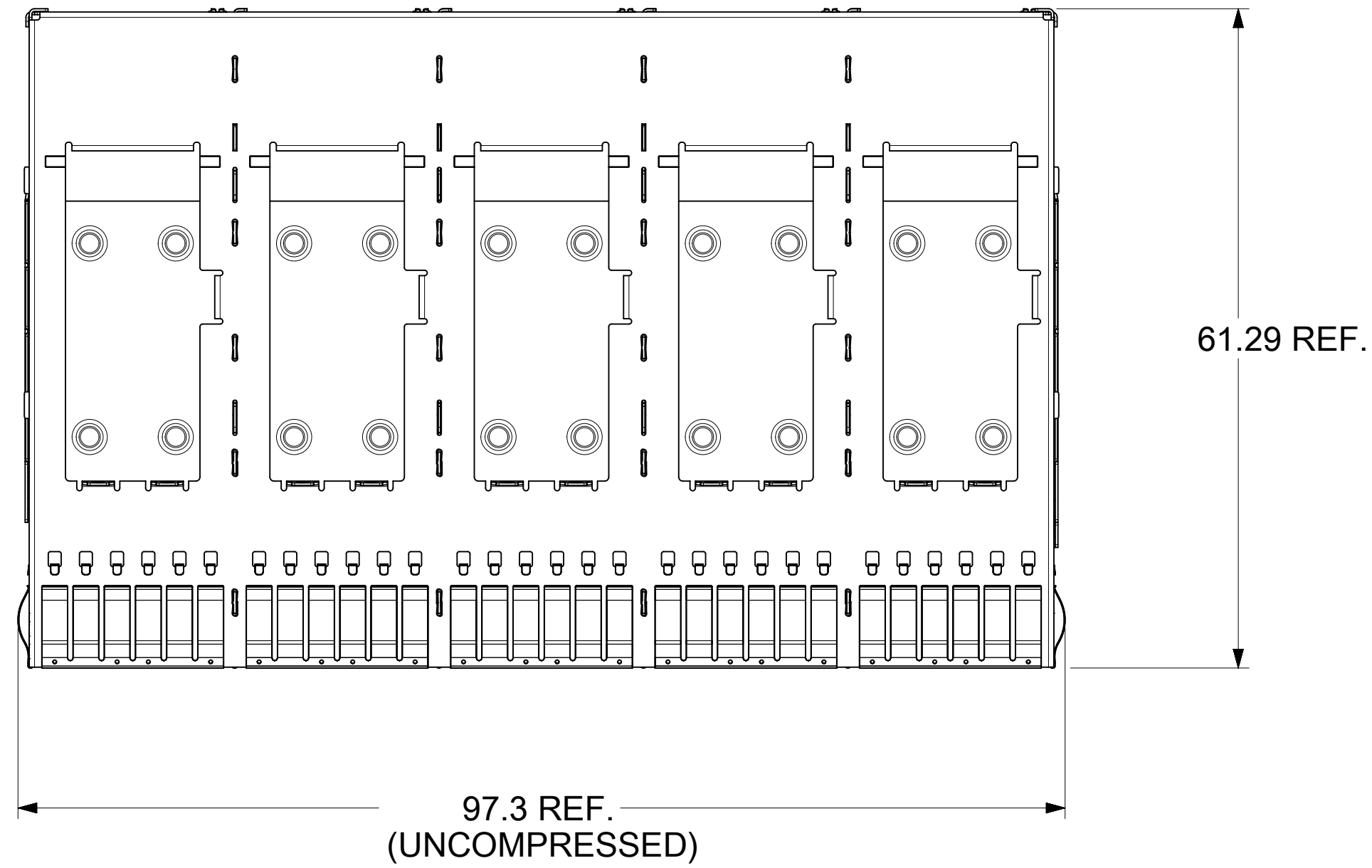
WEEK/YEAR DATE CODE TABLE	
WK	WEEK OF THE YEAR 01 THRU 52 (EXAMPLE: 01= FIRST WEEK OF YEAR 52= LAST WEEK OF YEAR)
YR	22, 23, 24 ETC.. (EXAMPLE: YEAR 2022= 22)

FUNCTIONAL SYMBOLS $\nabla_A = 0$ $\nabla_C = 0$ $\nabla_P = 0$ DIVISIONAL SYMBOLS	THIS DRAWING CONTAINS INFORMATION THAT IS PROPRIETARY TO MOLEX ELECTRONIC TECHNOLOGIES, LLC AND SHOULD NOT BE USED WITHOUT WRITTEN PERMISSION		CURRENT REV DESC: SEE REVISION DESCRIPTION		
	DIMENSION UNITS	SCALE	GENERAL TOLERANCES (UNLESS SPECIFIED)		
	mm	2:1	ANGULAR TOL $\pm 2.0^\circ$		
	4 PLACES \pm		3 PLACES \pm		
3 PLACES \pm		2 PLACES ± 0.13		EC NO: 698878	ZQSFP+ 1X5 GANGED CAGE ASSY ASSY'S W/ SUS TAB TYPE SPRING FINGER
2 PLACES ± 0.25		1 PLACE \pm		DRWN: PRAJWG 2022/02/17	
0 PLACES \pm		DRAFT WHERE APPLICABLE MUST REMAIN WITHIN DIMENSIONS		DRWN: PRAJWG 2022/02/17	PRODUCT CUSTOMER DRAWING DOCUMENT NUMBER: 1000193200 DOC TYPE: PSD DOC PART: ASY REVISION: A
THIRD ANGLE PROJECTION		DRAWING: D-SIZE	SERIES: 100019	APPR: JCHIANG 2022/03/24	
				MATERIAL NUMBER: SEE P/N TABLE	CUSTOMER: GENERAL MARKET
				SHEET NUMBER: 1 OF 6	

BASIC CAGE DETAILS

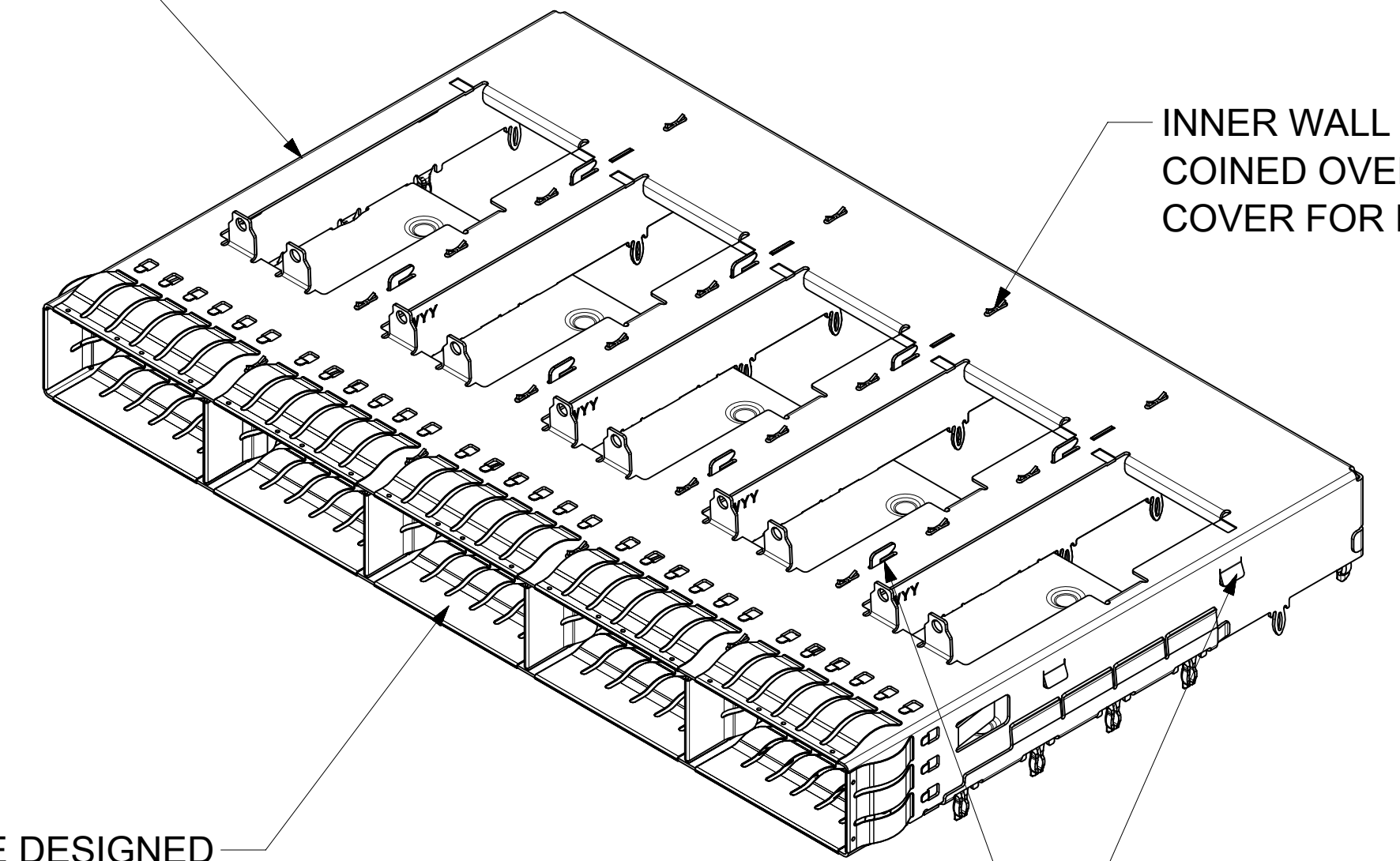
1000199252

SHOWN



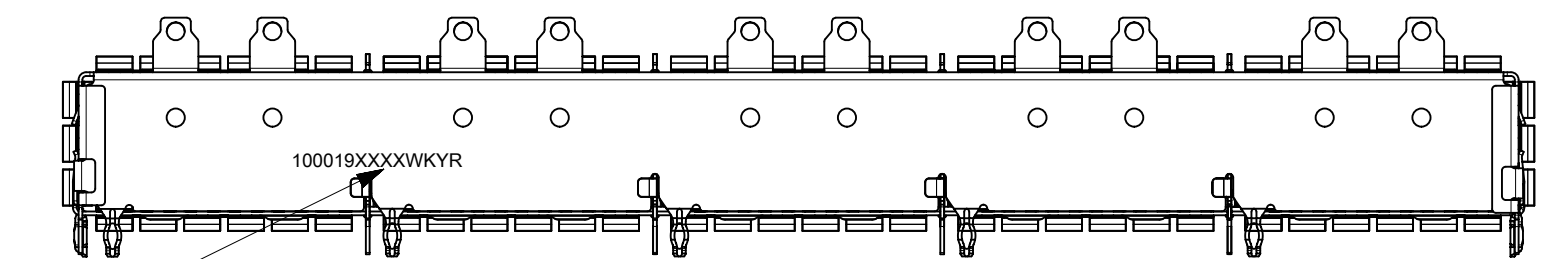
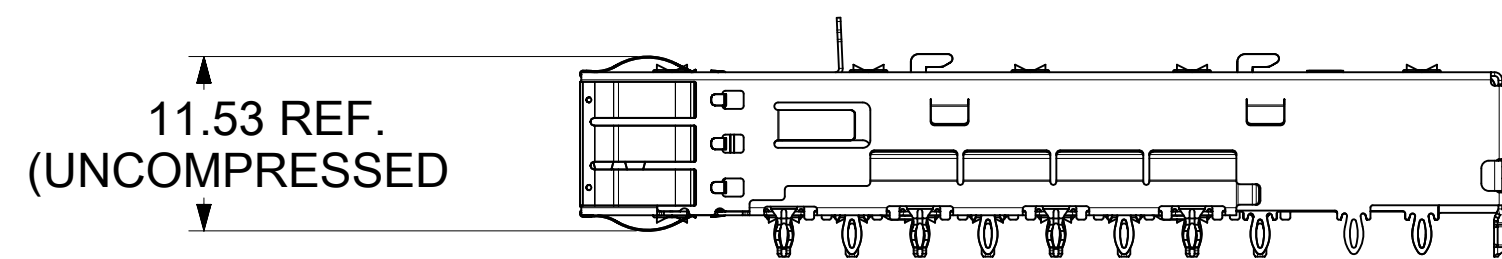
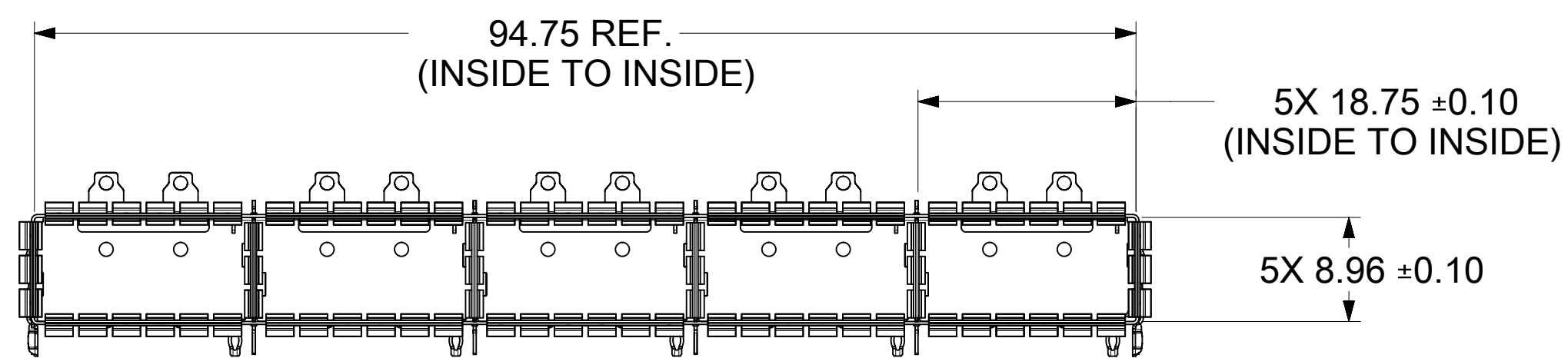
OPEN TOP

NO HEATSINKS
NO LIGHT PIPES
OPEN TOP



DIMENSIONS OF EACH INNER CAGE DESIGNED TO FUNCTION WITH QUAD SMALL FORM-FACTOR (zQSFP+) TRANSCEIVER

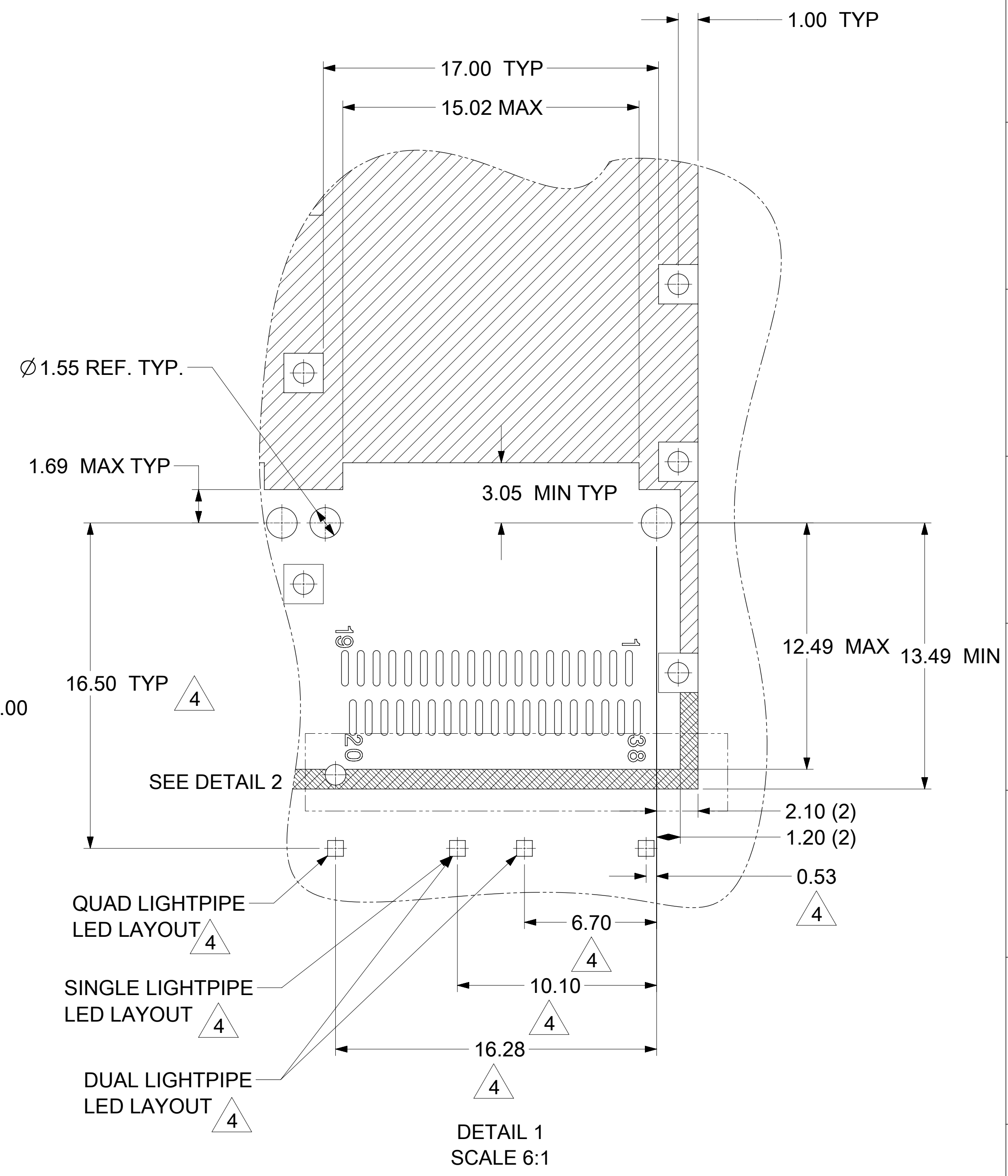
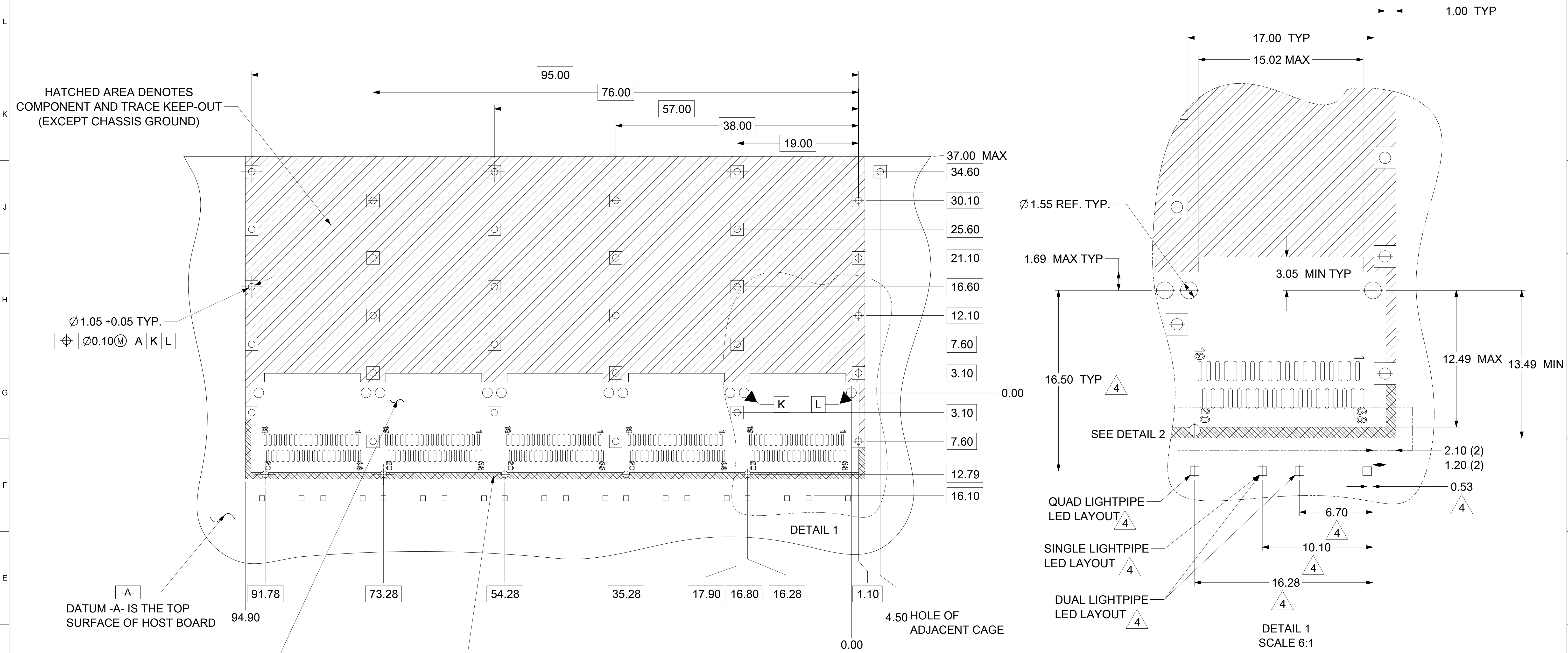
MOLEX P/N W/ SPRING FINGERS	#OF REAR LEGS PER PORT
1000199252	1



P/N AND WEEK/YEAR DATE CODE TO BE PRINTED ON BACK OF COMPLETED CAGE ASSEMBLY APPROXIMATELY AS SHOWN.
NOTES:
SEE TABLE BELOW FOR DATE CODE INFORMATION

FUNCTIONAL SYMBOLS $\nabla_A = 0$ $\nabla_C = 0$ $\nabla_D = 0$ DIVISIONAL SYMBOLS	THIS DRAWING CONTAINS INFORMATION THAT IS PROPRIETARY TO MOLEX ELECTRONIC TECHNOLOGIES, LLC AND SHOULD NOT BE USED WITHOUT WRITTEN PERMISSION		CURRENT REV DESC: SEE REVISION DESCRIPTION	
	DIMENSION UNITS	SCALE	EC NO: 698878	
	mm	2:1	DRWN: PRAJWG	2022/02/17
	GENERAL TOLERANCES (UNLESS SPECIFIED)		CHK'D: TKUMARKC	2022/03/10
	ANGULAR TOL $\pm 2.0^\circ$		APPR: JCHIANG	2022/03/24
4 PLACES \pm		INITIAL REVISION:		
3 PLACES \pm		DRWN: PRAJWG	2022/02/17	
2 PLACES ± 0.13		APPR: JCHIANG	2022/03/24	
1 PLACE ± 0.25		THIRD ANGLE PROJECTION		
0 PLACES \pm		DRAWING	SERIES	
DRAFT WHERE APPLICABLE MUST REMAIN WITHIN DIMENSIONS		D-SIZE	100019	
DOCUMENT NUMBER		DOC TYPE	DOC PART	REVISION
1000193200		PSD	ASY	A
MATERIAL NUMBER		CUSTOMER	SHEET NUMBER	
GENERAL MARKET		2 OF 6		

PCB LAYOUT FOR SINGLE SIDED MOUNTING



HATCHED AREA DENOTES COMPONENT AND TRACE KEEP-OUT (EXCEPT CHASSIS GROUND)

Ø 1.05 ± 0.05 TYP.
 ⊕ Ø 0.10 (M) A K L

-A- DATUM -A- IS THE TOP SURFACE OF HOST BOARD

AREA DENOTES COMPONENT KEEP-OUT (TRACES ALLOWED)

CROSS HATCHED AREA DENOTES WHERE SURFACE TRACES ARE PERMITTED SEE NOTE 6

- NOTES:
1. PADS AND VIAS GO TO CHASSIS GROUND. (RECOMMENDED PADS TO BE 2.00mm SQUARE.)
 2. RECOMMENDED THRU HOLE PLATING INCLUDES HASL, OSP, OR IMMERSION (GOLD, SILVER, OR TIN).
 3. CONNECTOR PAD LAYOUT PER SFF-8663 WILL ACCOMMODATE MOLEX CONNECTOR SERRIES 170432.
 4. NOTED DIMENSIONS ONLY APPLY TO CAGE ASSEMBLIES WITH LIGHT PIPES.
 5. REFERENCE WHEN REAR LEGS ARE PRESENT. IF NO REAR LEGS, VIA AREA CAN BE USED FOR SURFACE TRACES. SEE SINGLE SIDE LAYOUT, DETAIL 2.

FUNCTIONAL SYMBOLS	THIS DRAWING CONTAINS INFORMATION THAT IS PROPRIETARY TO MOLEX ELECTRONIC TECHNOLOGIES, LLC AND SHOULD NOT BE USED WITHOUT WRITTEN PERMISSION		CURRENT REV DESC: SEE REVISION DESCRIPTION	
	FA = 0	mm	SCALE	3.5:1
DIVISIONAL SYMBOLS	GENERAL TOLERANCES (UNLESS SPECIFIED)		EC NO: 698878	
	FC = 0	ANGULAR TOL ± 2.0°		DRWN: PRAJWG 2022/02/17
FUNCTIONAL SYMBOLS	4 PLACES	±	DRWN: PRAJWG 2022/03/10	CHK'D: TKUMARKC
	3 PLACES	±	DRWN: PRAJWG 2022/03/24	APPR: JCHIANG
	2 PLACES	± 0.13	DRWN: PRAJWG 2022/03/24	INITIAL REVISION:
	1 PLACE	± 0.25	DRWN: PRAJWG 2022/03/24	DRWN: PRAJWG 2022/02/17
DIVISIONAL SYMBOLS	0 PLACES	±	DRWN: PRAJWG 2022/03/24	APPR: JCHIANG
	DRAFT WHERE APPLICABLE MUST REMAIN WITHIN DIMENSIONS		THIRD ANGLE PROJECTION	DRAWING SERIES
DOCUMENT STATUS		P1	RELEASE DATE	2022/03/24 02:36:00
MATERIAL NUMBER		CUSTOMER		SHEET NUMBER
1000193200		GENERAL MARKET		3 OF 6

molex

ZQSFP+ 1X5 GANGED CAGE ASSY
 ASSY'S W/ SUS TAB TYPE SPRING FINGER

PRODUCT CUSTOMER DRAWING

DOCUMENT NUMBER: 1000193200
 DOC TYPE: PSD
 DOC PART: ASY
 REVISION: A

PCB LAYOUT FOR BELLY TO BELLY MOUNTING

NOTE:
SEE SHEET 4 FOR
HOST CONNECTOR DETAIL
AND LED LOCATION DETAILS

HATCHED AREA DENOTES
COMPONENT AND TRACE KEEP-OUT
(EXCEPT CHASSIS GROUND)

DATUM -A- IS THE TOP
SURFACE OF HOST BOARD

Ø 1.05 ± 0.05 TYP

⊕ Ø0.10 Ⓜ A K L

AREA DENOTES
COMPONENT KEEP-OUT
(TRACES ALLOWED)

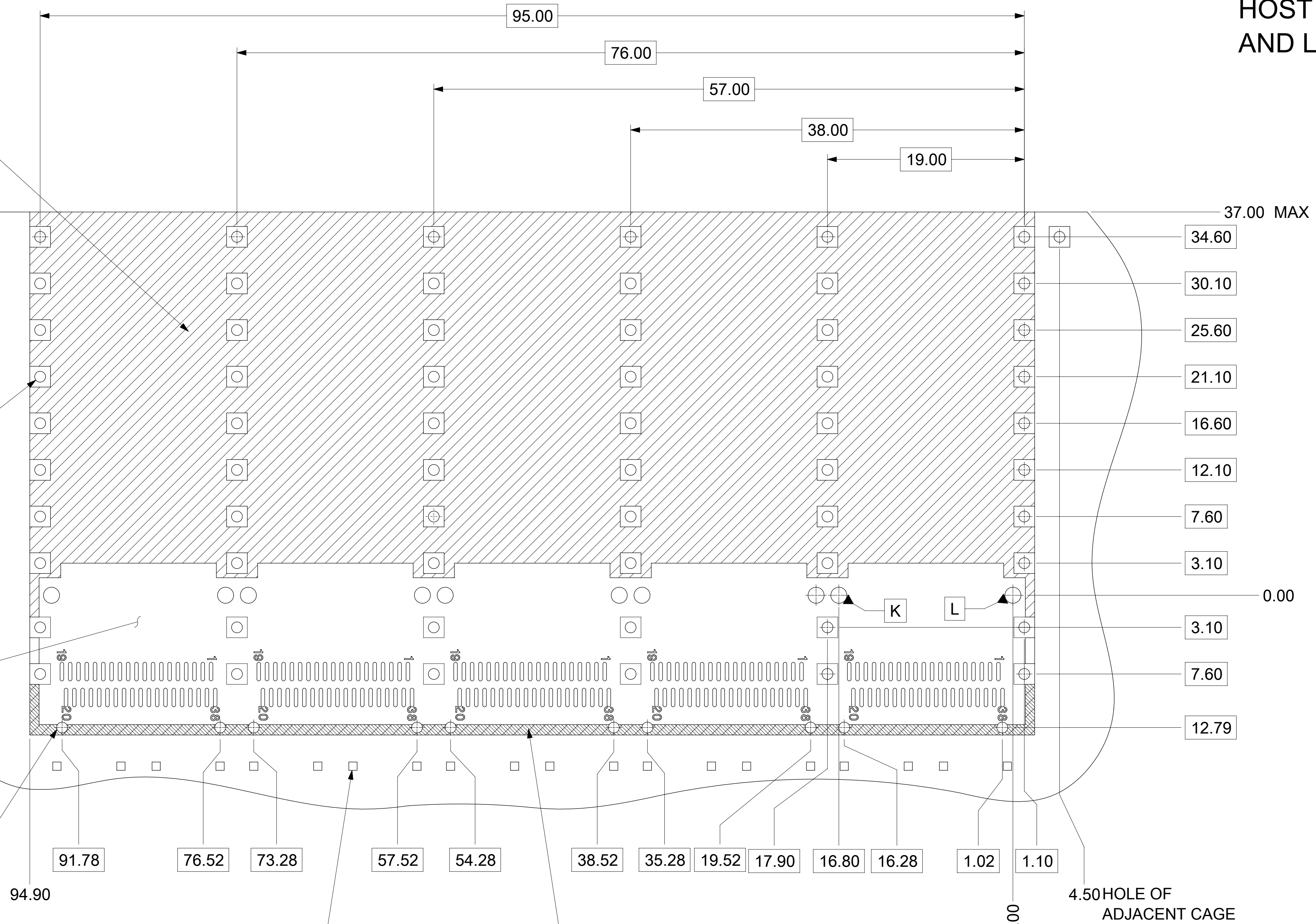
HOLES FOR OPTIONAL
REAR LEGS

FOR CAGE ASSEMBLIES
WITH LIGHT PIPES

CROSS HATCHED AREA DENOTES
WHERE SURFACE TRACES
ARE PERMITTED. SEE NOTE 5.

4.50 HOLE OF
ADJACENT CAGE

- NOTES:
- PADS AND VIAS GO TO CHASSIS GROUND. (RECOMMENDED PADS TO BE 2.00mm SQUARE.)
 - RECOMMENDED THRU HOLE PLATING INCLUDES HASL, OSP, OR IMMERSION (GOLD, SILVER, OR TIN).
 - CONNECTOR PAD LAYOUT PER SFF-8663 WILL ACCOMODATE MOLEX CONNECTOR SERIES 170432.
 - REFERENCE WHEN REAR LEGS ARE PRESENT. IF NO REAR LEGS, VIA AREA CAN BE USED FOR SURFACE TRACES.
- SEE SINGLE SIDE LAYOUT, DETAIL 2 ON SHEET 4.



FUNCTIONAL SYMBOLS	THIS DRAWING CONTAINS INFORMATION THAT IS PROPRIETARY TO MOLEX ELECTRONIC TECHNOLOGIES, LLC AND SHOULD NOT BE USED WITHOUT WRITTEN PERMISSION		CURRENT REV DESC: SEE REVISION DESCRIPTION	
	FA = 0	mm	SCALE	4:1
DIVISIONAL SYMBOLS	GENERAL TOLERANCES (UNLESS SPECIFIED)		EC NO: 698878	
	FC = 0	ANGULAR TOL ± 2.0°	DRWN: PRAJWG	2022/02/17
FUNCTIONAL SYMBOLS	FP = 0	4 PLACES ±	CHK'D: TKUMARKC	2022/03/10
	4 PLACES ±	3 PLACES ±	APPR: JCHIANG	2022/03/24
	3 PLACES ±	2 PLACES ± 0.13	INITIAL REVISION:	
	2 PLACES ± 0.25	1 PLACE ±	DRWN: PRAJWG	2022/02/17
DIVISIONAL SYMBOLS	0 PLACES ±	0 PLACES ±	APPR: JCHIANG	2022/03/24
	DRAFT WHERE APPLICABLE MUST REMAIN WITHIN DIMENSIONS		THIRD ANGLE PROJECTION	DRAWING
		D-SIZE		SERIES
		100019		MATERIAL NUMBER
		SEE P/N TABLE		CUSTOMER
		GENERAL MARKET		SHEET NUMBER
		4 OF 6		

molex

ZQSFP+ 1X5 GANGED CAGE ASSY
ASSY'S W/ SUS TAB TYPE SPRING FINGER

PRODUCT CUSTOMER DRAWING

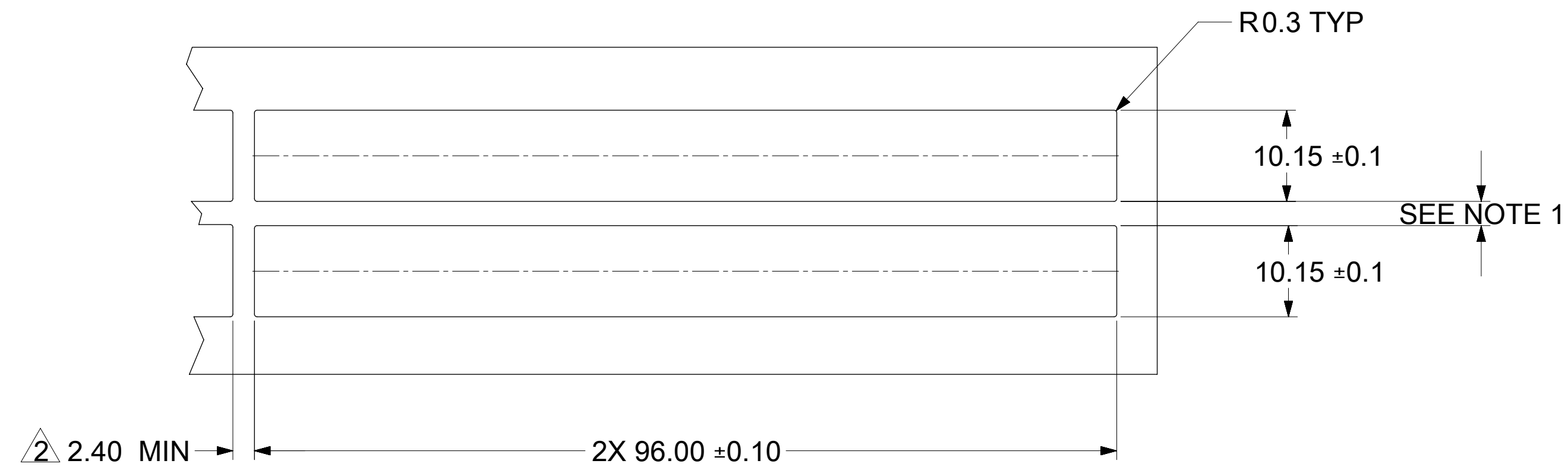
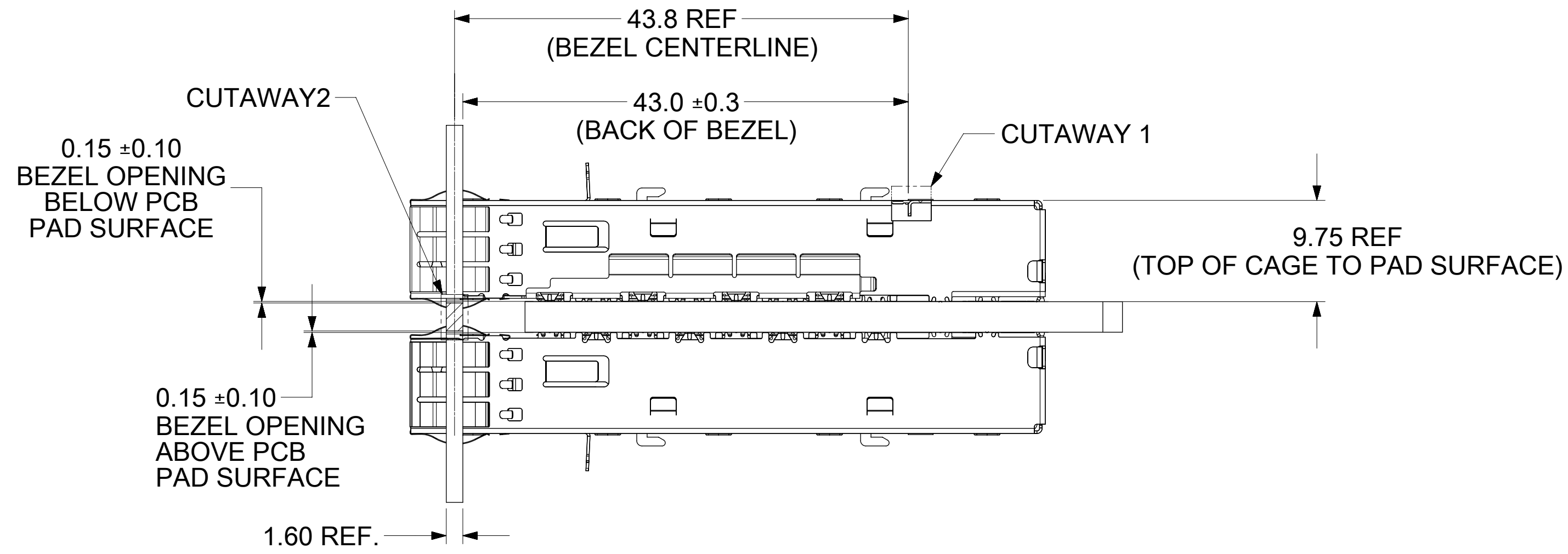
DOCUMENT NUMBER DOC TYPE DOC PART REVISION

1000193200

PSD ASY A

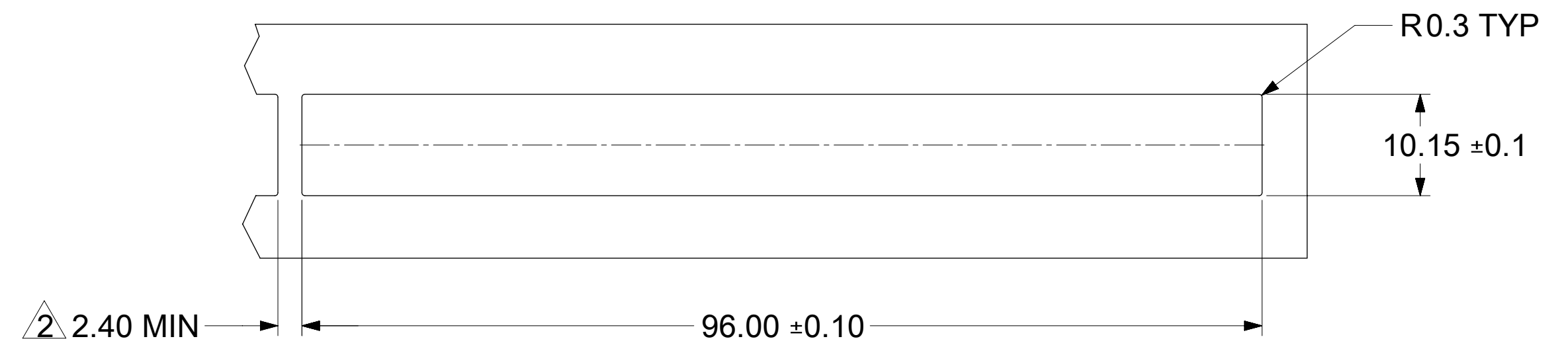
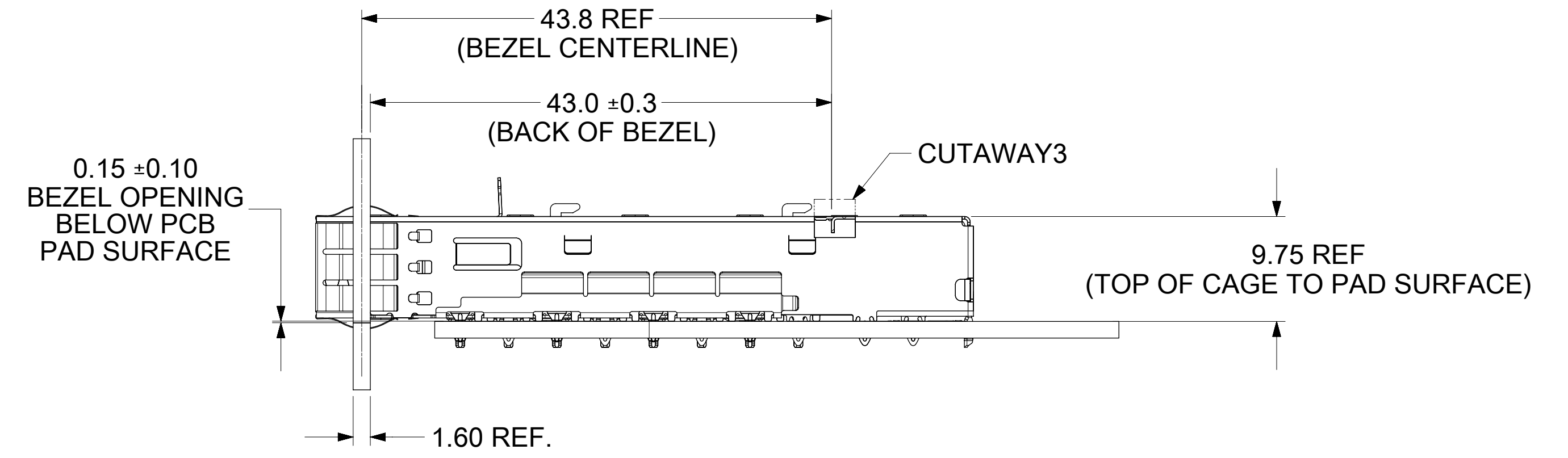
SEE P/N TABLE GENERAL MARKET 4 OF 6

BEZEL AND BOARD POSITION DIMENSIONS FOR BELLY TO BELLY MOUNTING



NOTE:
 1. PCB THICKNESS VARIATION MUST BE CONSIDERED WHEN DETERMINING BEZEL OPENING LOCATION.
 2. THIS DIMENSION IS FOR REFERENCE ONLY. USER CAN MODIFY IT DEPENDS ON APPLICATION. (THIS DIMENSION VARIES BASED ON DISTANCE OF " HOLE OF ADJACENT CAGE" ON PCB LAYOUT.)

BEZEL AND BOARD POSITION DIMENSIONS FOR SINGLE SIDE MOUNTING



FUNCTIONAL SYMBOLS	THIS DRAWING CONTAINS INFORMATION THAT IS PROPRIETARY TO MOLEX ELECTRONIC TECHNOLOGIES, LLC AND SHOULD NOT BE USED WITHOUT WRITTEN PERMISSION		
	DIMENSION UNITS	SCALE	CURRENT REV DESC: SEE REVISION DESCRIPTION
$\nabla_A = 0$	mm	2.5:1	
$\nabla_C = 0$	GENERAL TOLERANCES (UNLESS SPECIFIED)		
$\nabla_D = 0$	ANGULAR TOL $\pm 2.0^\circ$		
DIVISIONAL SYMBOLS	4 PLACES	\pm	EC NO: 698878
	3 PLACES	\pm	DRWN: PRAJWG 2022/02/17
	2 PLACES	± 0.13	CHK'D: TKUMARKC 2022/03/10
	1 PLACE	± 0.25	APPR: JCHIANG 2022/03/24
	0 PLACES	\pm	INITIAL REVISION: DRWN: PRAJWG 2022/02/17 APPR: JCHIANG 2022/03/24
DRAFT WHERE APPLICABLE MUST REMAIN WITHIN DIMENSIONS		THIRD ANGLE PROJECTION	DRAWING SERIES MATERIAL NUMBER CUSTOMER SHEET NUMBER
			D-SIZE 100019 SEE P/N TABLE GENERAL MARKET 5 OF 6

molex

ZQSFP+ 1X5 GANGED CAGE ASSY
 ASSY'S W/ SUS TAB TYPE SPRING FINGER

PRODUCT CUSTOMER DRAWING

DOCUMENT NUMBER	DOC TYPE	DOC PART	REVISION
1000193200	PSD	ASY	A

