

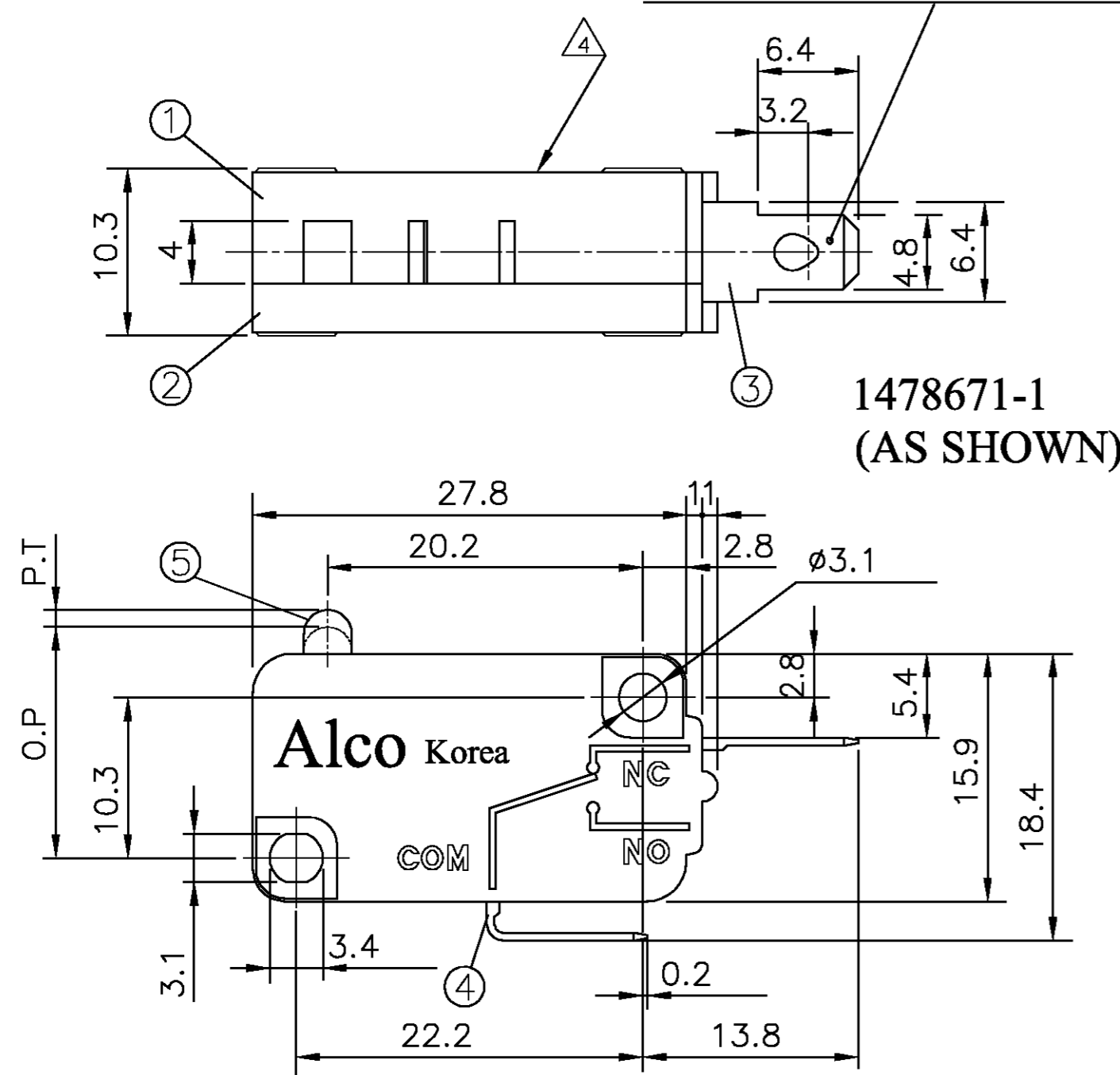
THIS DRAWING IS UNPUBLISHED. RELEASED FOR PUBLICATION
 © COPYRIGHT 2001 BY TYCO ELECTRONICS CORPORATION. ALL RIGHTS RESERVED.

LOC		DIST		REVISIONS			
P	LTR	DESCRIPTION	DATE	DWN	APVD		
E	B	E	EBD0-0129-03	09-06-03	SS	JA	
		D	EB00-0025-03	04-02-03	PB	JA	
		C	EB00-0308-02	23-09-02	SS	JA	

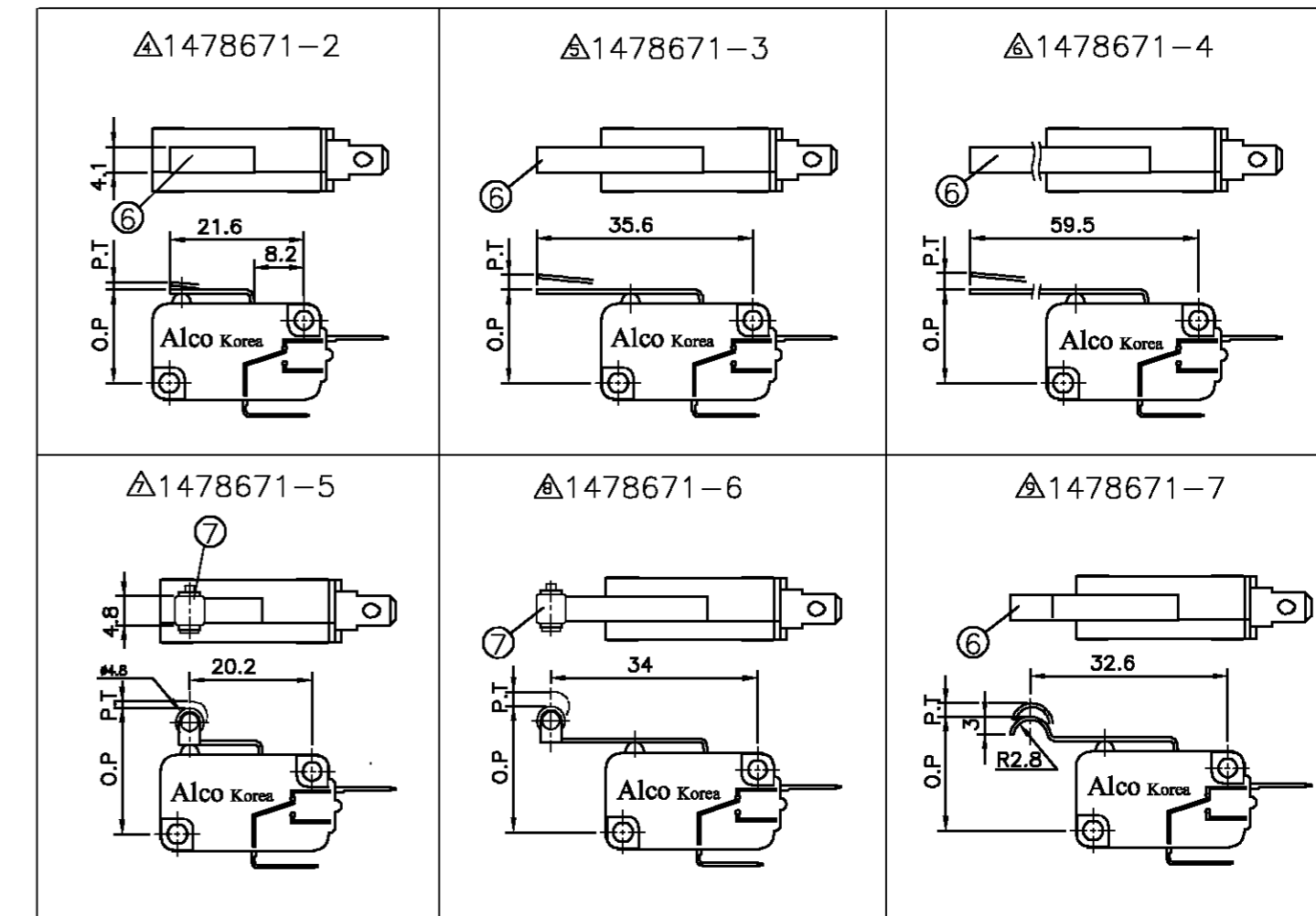
SPECIFICATION DATA

	Minature Range		
	16	5	0.1
Amp Rating	16	5	0.1
Insulation Resistance	Min. 100M ohm		
Contact Resistance	Max 15 M ohm		Max 50 M ohm
Dielectric Strength	AC 2,000V		
Operating Speed	0.2mm/sec - 1,000mm/sec		1mm/sec - 500mm/sec
Max allowed Mechanical Open/Close Frequencies	600 Cycles/min		300 Cycles/min
Shock Resistance (Without Lever)	300mm/sec sq (approx 30G)		
Vibration Resistance (Without Lever)	1.5mm 10-55 Hz (2Hr)		1.5mm 10 - 20Hz (2 Hr)
Electrical Life	100,000 Operations at Rated Load (Max 20 Operations/min)		1,000,000 Operations
Mechanical Life	10,000,000 Operations (Max 200 operations/min)		
Safety Approval	UL / CSA / VDE		
Operating Temperature Range	-20 deg C to 130 deg C RH85% Max		-30 deg C to 130 deg C RH80% Max
UL File No.	E60363		
CSA File No	218582		
VDE File No.	40006699		40006698

.187" TAB & SOLDERING TERMINAL, 0.5mm THICK.



1478671-1
(AS SHOWN)



NOTES:

- FOR TECHNICAL DATA REFER TO YOUR LOCAL TYCO ELECTRONICS SALES OFFICE.
- ALL DIMENSIONS ARE NOMINAL. FOR REFERENCE ONLY UNLESS OTHERWISE STATED.
- ALL DIMENSIONS ARE COMMON TO THE MAIN BODY. VARIATIONS ARE IN THE OPERATING LEVERS.
- TYCO PART NUMBER AND LOT No. INKJET MARKED IN THIS AREA.
- GENERAL INFO.

CONTACT ARRANGEMENT	SPST (SPNC)	MARKING	UL, CSA, LOT No. 0.1A-125VAC 0.1A-30VDC MODEL NAME 0.1A 125/250VAC- 2750 μT105 +---
	COM NC		

NO	DRAWING NO	△	CHARACTERISTICS					
			Operating Force	Releasing Force	Pre Travel	Operating Position	Over Travel	Movement Differential
1	1478671-1	—	Max 60 g	Min 12 g	Max 1.6 mym	14.8 ±0.4 mym	Min 0.8 mym	Max 0.4 mym
2	1478671-2	△	60 g	12 g	1.6 mym	15.4 ±0.4 mym	0.8 mym	0.4 mym
3	1478671-3	△	35 g	6 g	4.0 mym	15.4 ±1.4 mym	1.3 mym	1.2 mym
4	1478671-4	△	15 g	3 g	7.5 mym	15.4 ±3.0 mym	2.6 mym	2.4 mym
5	1478671-5	△	60 g	12 g	1.6 mym	20.7 ±0.8 mym	0.8 mym	0.4 mym
6	1478671-6	△	35 g	6 g	4.0 mym	20.7 ±1.6 mym	1.3 mym	1.2 mym
7	1478671-7	△	35 g	6 g	4.0 mym	18.6 ±1.5 mym	1.3 mym	1.2 mym

6 FOR PACKAGING INFORMATION SEE SPEC. 107-115

7	ROLLER	(1)
6	LEVER	(1)
5	BUTTON	1
4	COMMON TERMINAL	1
3	TERMINAL	1
2	COVER	1
1	BOX	1
NO	PART NAME	Q'TY

TYCO SALES PART No.	TYCO PART NO.	DESCRIPTION	COLOUR	QTY	PACK DESC
MP01-NC-ASMM	△ 1478671-7	Microswitch, Simu Lever	Grey	1000	CARTON
MP01-NC-ANRM	△ 1478671-6	Microswitch, Norm Roller	Grey	800	CARTON
MP01-NC-ASRB	△ 1478671-5	Microswitch, Short Roller	Grey	1000	CARTON
MP01-NC-ALLL	△ 1478671-4	Microswitch, Long Lever	Grey	600	CARTON
MP01-NC-ANLM	△ 1478671-3	Microswitch, Norm Lever	Grey	800	CARTON
MP01-NC-ASLB	△ 1478671-2	Microswitch, Short Lever	Grey	1000	CARTON
MP01-NC-AOLB	1478671-1	Microswitch, Pin Plunger	Grey	1000	CARTON

THIS DRAWING IS A CONTROLLED DOCUMENT.

DWN	P. Bates	04FEB2003
CHK	C. Kaminski	17-10-01
APVD	C. Kaminski	17-10-01
PRODUCT SPEC	—	
APPLICATION SPEC	—	
WEIGHT	—	
CUSTOMER DRAWING	—	

tyco Electronics Tyco Electronics Corporation
Stanmore, Middlesex, HA7 4RS

NAME: MICRO SWITCH 0.1A
SOLDER TERMINAL
60g RANGE

SIZE: A2 CAGE CODE: 00779 DRAWING NO: C=1478671 RESTRICTED TO: —

SCALE: 1:1 SHEET: 1 OF 2 REV: E


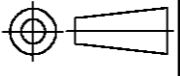
THIS DRAWING IS UNPUBLISHED. RELEASED FOR PUBLICATION
 © COPYRIGHT 2001 BY TYCO ELECTRONICS CORPORATION. ALL RIGHTS RESERVED.

LOC		DIST		REVISIONS			
P	LTR	DESCRIPTION	DATE	DWN	APVD		
E	B	EBD0-0129-03	09-06-03	SS	JA		
D		EB00-0025-03	04-02-03	PB	JA		
C		EB00-0308-02	23-09-02	SS	JA		

MAJOR COMPONENT & MATERIAL LIST

NO	PART NAME	MATERIAL	Q'ty	UL FRAME	FINISH (COLOR)
1	CASE	P.B.T RESIN	1	94 V-0	
2	COVER		1		
3	MOVABLE CONTACTOR	Phosphor Bronze Sheet t=0.3	1		
4	GUIDE PLATE	Brass Sheet t=0.8	1		SILVER PLATING
5	COMMON TERMINAL	Brass Sheet t=0.8	1		SILVER PLATING
6	PLATE SPRING	Beryllium Copper Sheet (t=0.1~ 0.25)	1		
7	TERMINAL AID	Brass Sheet (t=0.8)	1		
8	CONTACT	Au alloy	2		
9	TERMINAL	Brass Sheet (t=0.8)	1		
10	ACTUATOR	PHENOLIC RESIN	1	94 V-0	
11	LEVER	Stainless Steel Sheet (t=0.6)	(1)		

() = Where Applicable

THIS DRAWING IS A CONTROLLED DOCUMENT.		DWN S.Shackson 09JUN2003	 Tyco Electronics Corporation Stanmore, Middlesex, HA7 4RS	
DIMENSIONS: MM		CHK F.Wheeler-King 09JUN2003		
		APVD F.Wheeler-King 09JUN2003	NAME MICRO SWITCH 0.1A SOLDER TERMINAL 60g RANGE	
TOLERANCES UNLESS OTHERWISE SPECIFIED:		PRODUCT SPEC	SIZE A2	
0 PLC ± -		APPLICATION SPEC	CAGE CODE 00779	
1 PLC ± -		WEIGHT	DRAWING NO C=1478671	
2 PLC ± -		RESTRICTED TO	-	
3 PLC ± -		SCALE	1:1	
4 PLC ± -		SHEET	2 OF 2	
ANGLES ± -		REV	E	
FINISH		CUSTOMER DRAWING		