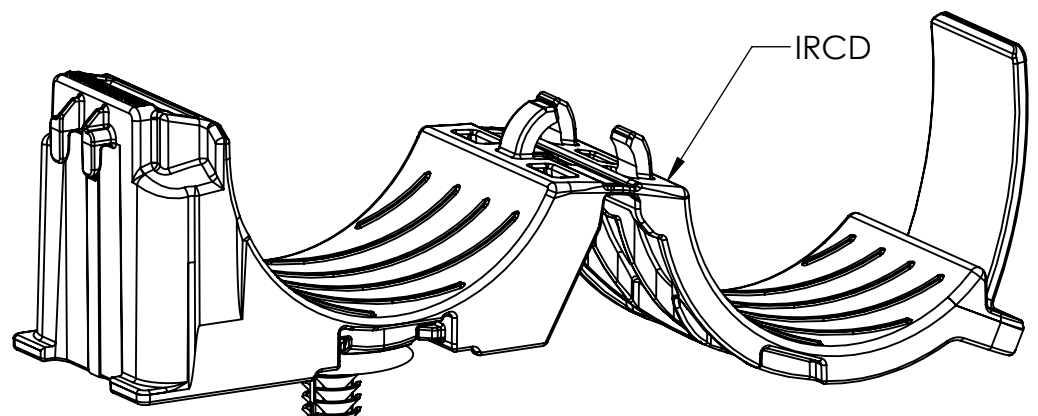
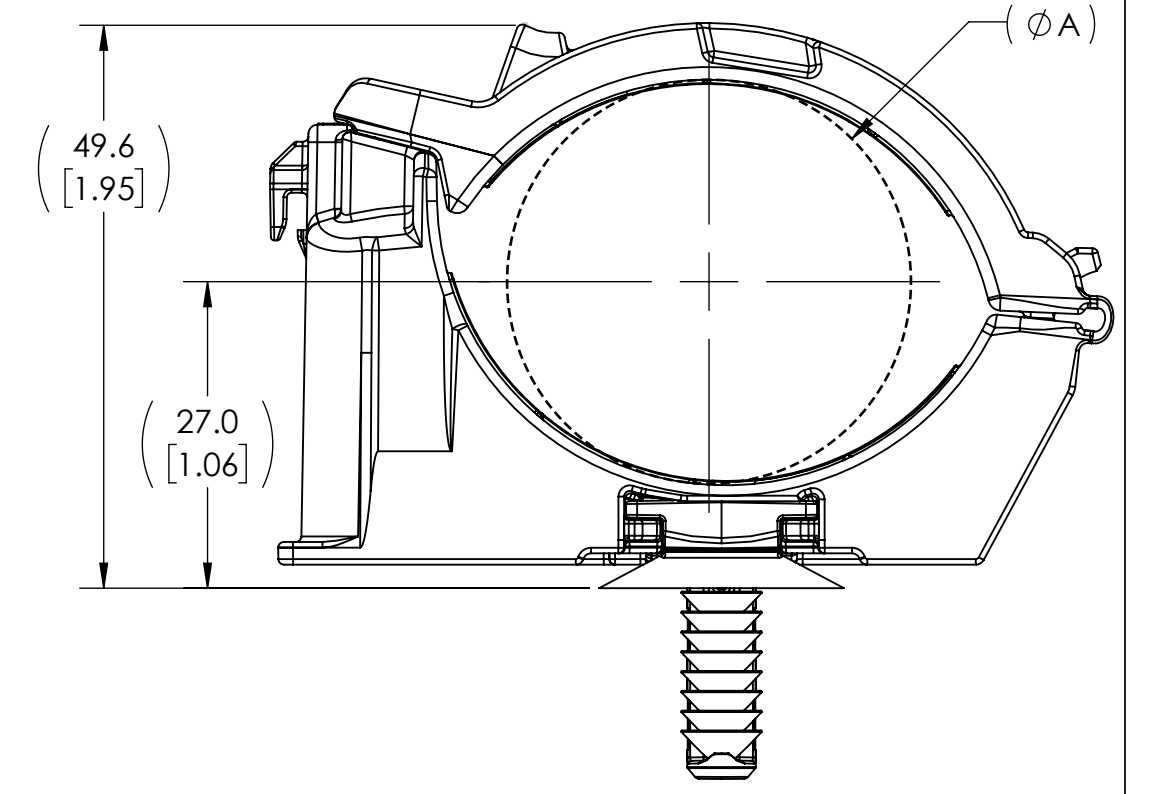
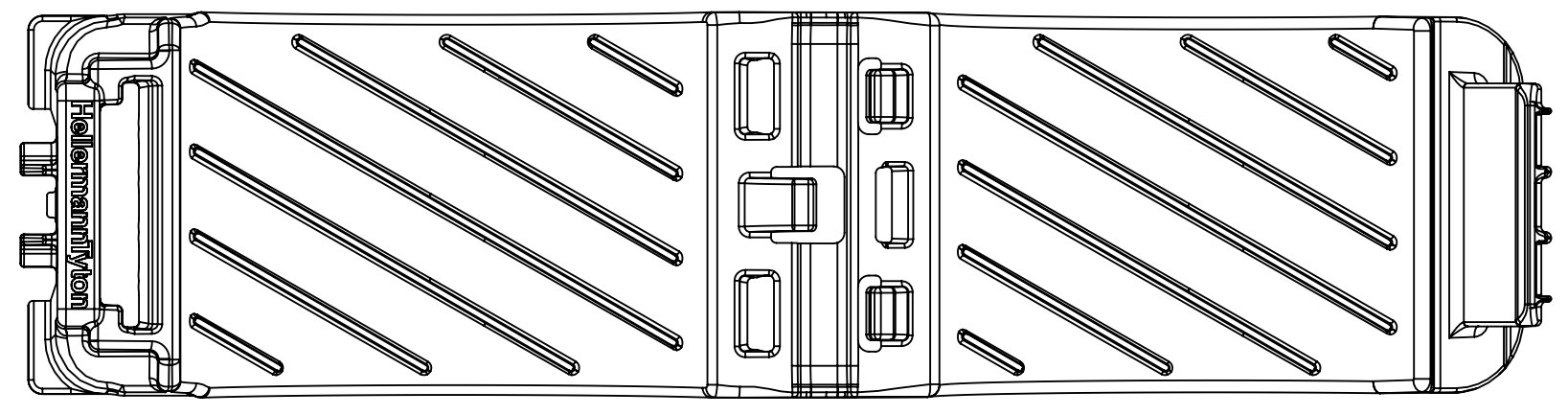


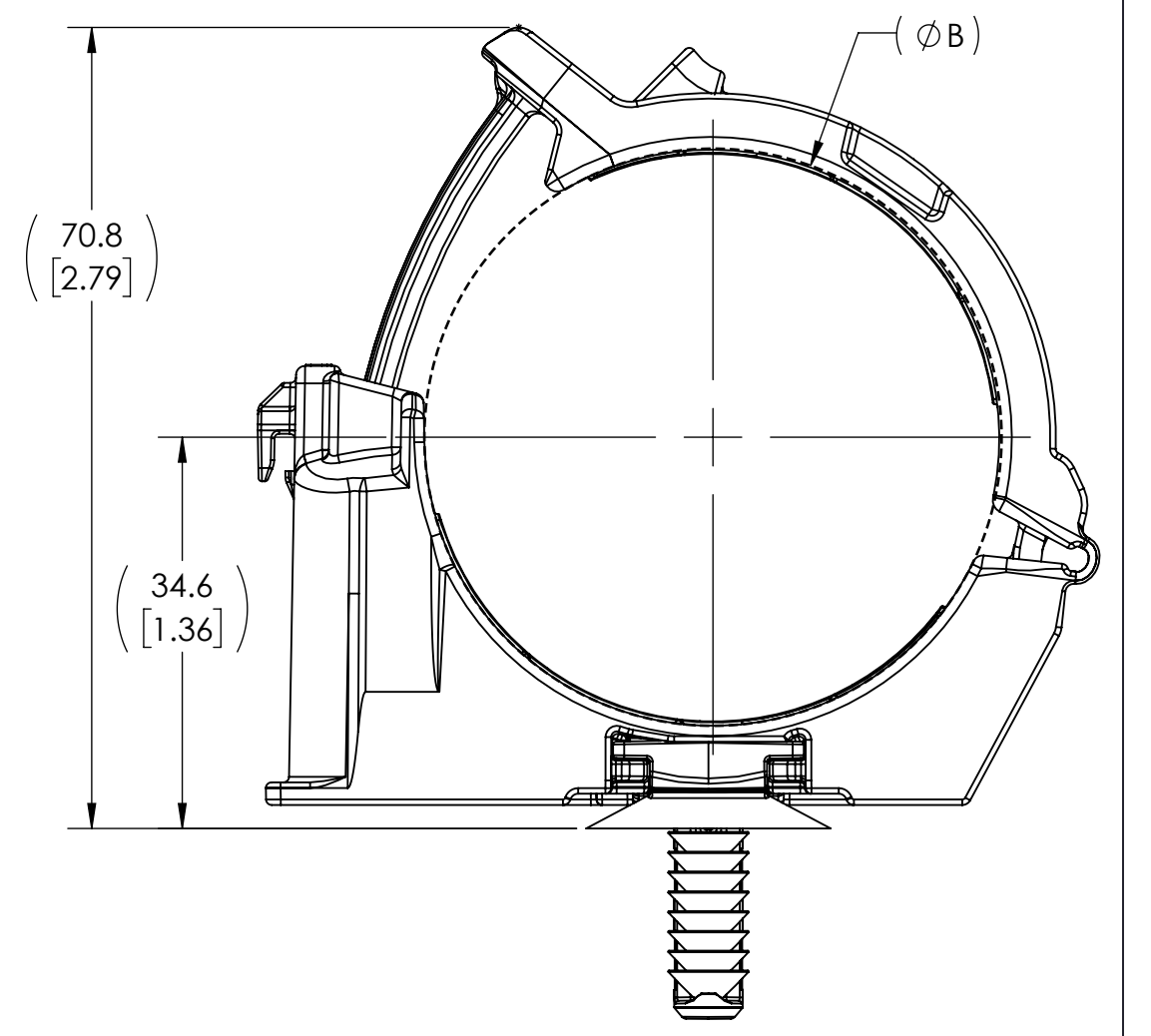
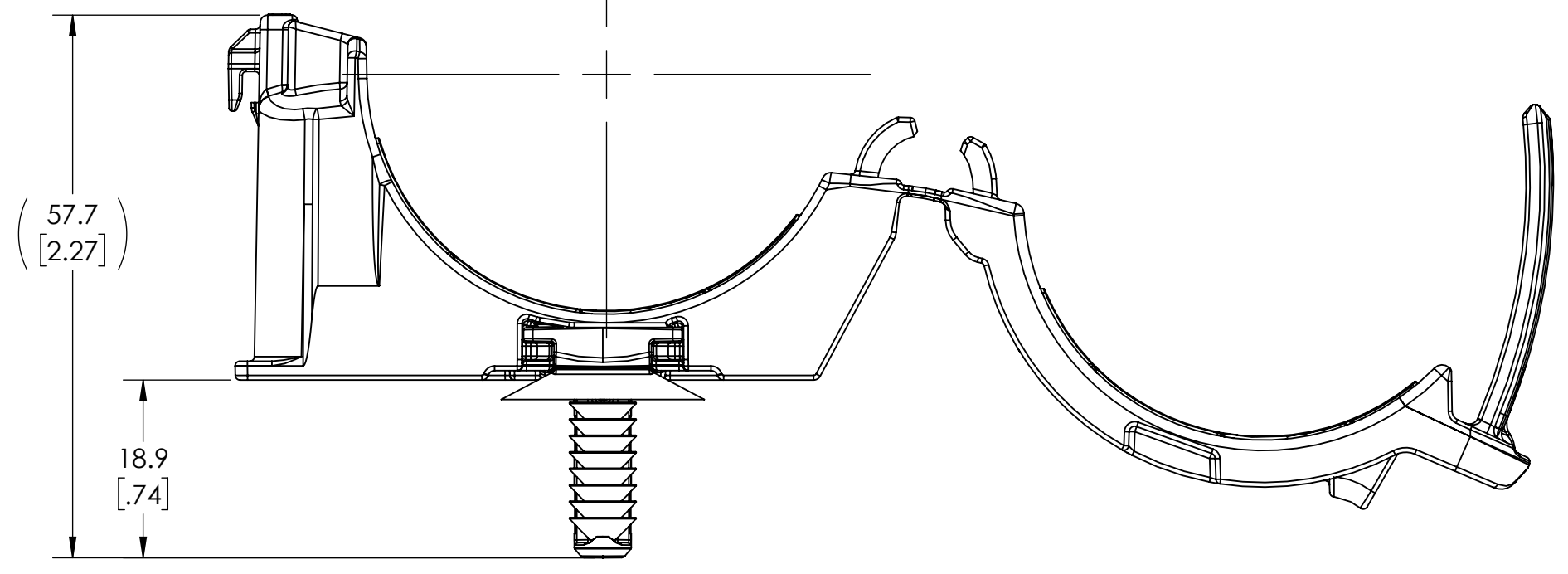
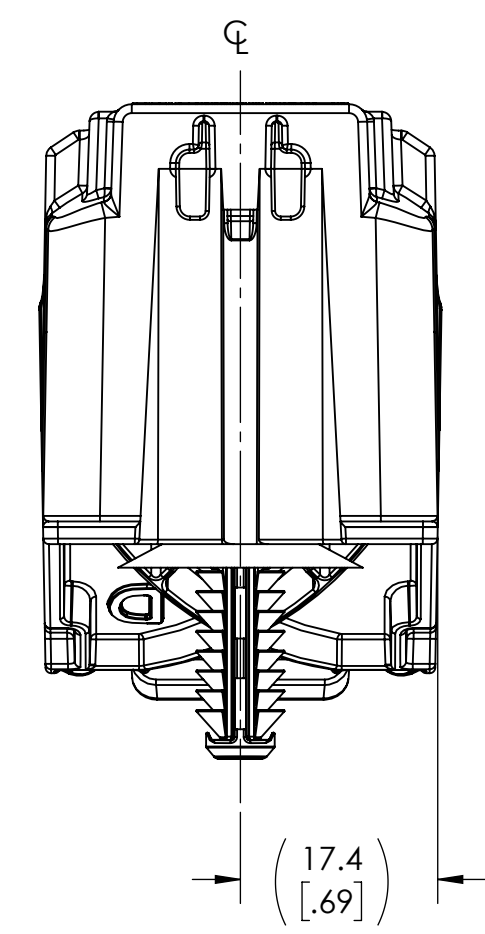
Revision level			Revision Record	Changed	Date	Approved	Date
Drawing	State	Part					
00.0	Design Release		SEE ECN# 015255	MHT	06/28/2019	CTF	06/28/2019



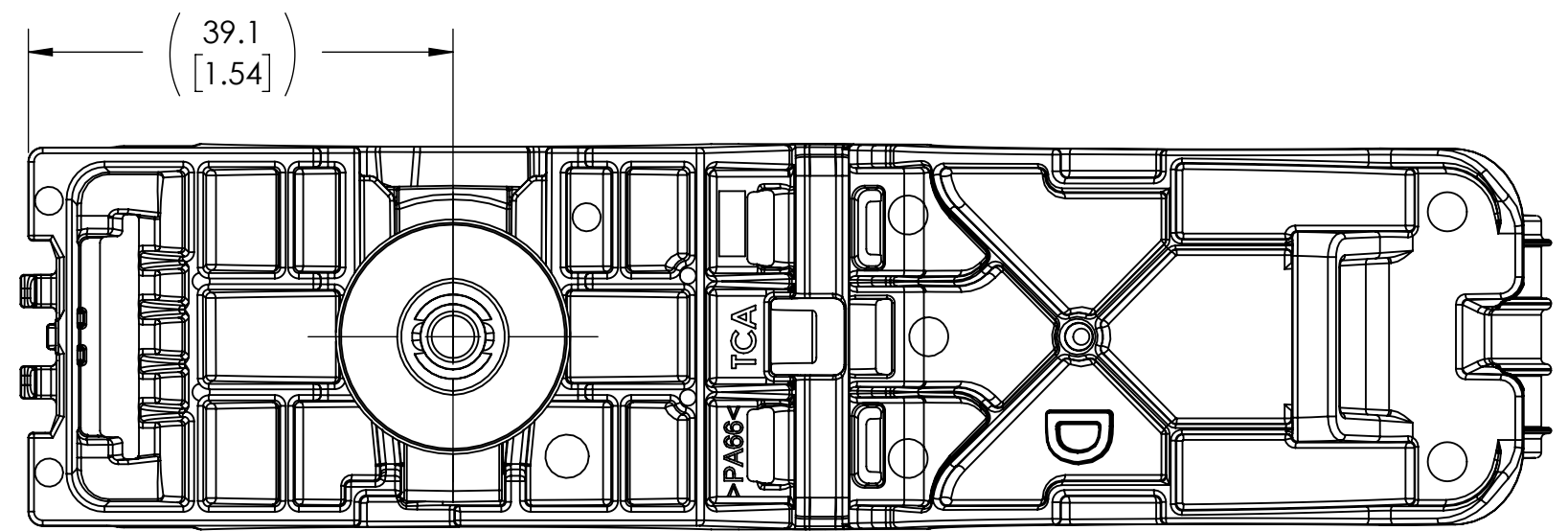
ISOMETRIC VIEW
SCALE 1 : 1
PRODUCT SHIPPED IN CLAMP
OPEN POSITION AS SHOWN



MINIMUM BUNDLE DIAMETER




MAXIMUM BUNDLE DIAMETER



- REFERENCE:**
- SHEET METAL THICKNESS RANGE: 0.60mm - 9.00mm
 - APPLICABLE HOLE SIZE:
 - A. 6.50mm +/-0.40
 - B. 6.35mm +/-0.20
 - C. 6.60mm +/-0.20
 - D. 6.35mm HEX +/-0.20

GLOBAL PART DESCRIPTION	BUNDLE TYPES	(A) MINIMUM DIAMETER	(B) MAXIMUM DIAMETER	IRCD CLAMP			IRCFT6.5LG CONNECTOR CLIP		
				DRAWING	MATERIAL	COLOR	DRAWING	MATERIAL	COLOR
IRCDF6.5LG-PA66HIRHSUV-BK	SOFT	36.0 [1.42]	51.0 [2.00]	16-1642-004-CSU	PA66HIRHSUV	BLACK	16-1645-051-CSU	PA66HIRHSUV	BLACK
	HARD	35.2 [1.39]	49.9 [1.96]						

Notes	Material SEE CHART	Units: millimeters Dimension without tolerances details to: .xxx = ±.013 .xx = ±.13 .x = ±.3 None = ±.8 ∠ = ±0.5° Dimension Formatted mm{in}	The copyright of this drawing is reserved by HellermannTyton. It is issued on condition that it is not reproduced, copied, or disclosed to a third party, either wholly or in part, without the consent of HellermannTyton.	Drawn	MHT	06/24/2019	Article/Type-No IRCDF6.5LG	Scale 3:2		
				Approved	CTF	06/24/2019			Title INLINE RATCHET P-CLAMP D WITH 6.5mm LONG FIR TREE	Project Number PRP19-0334
				 North America Email: corp@htamericas.com Web: www.hellermann.tyton.com						
					Sheet 1/1					