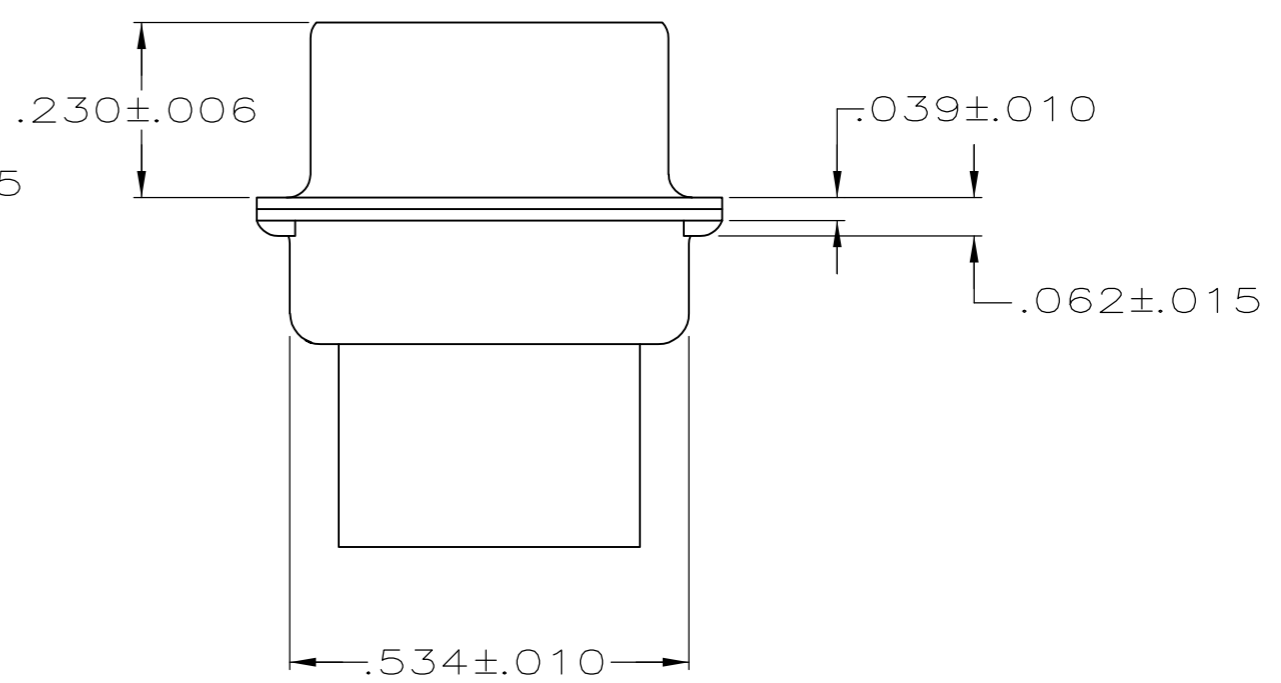
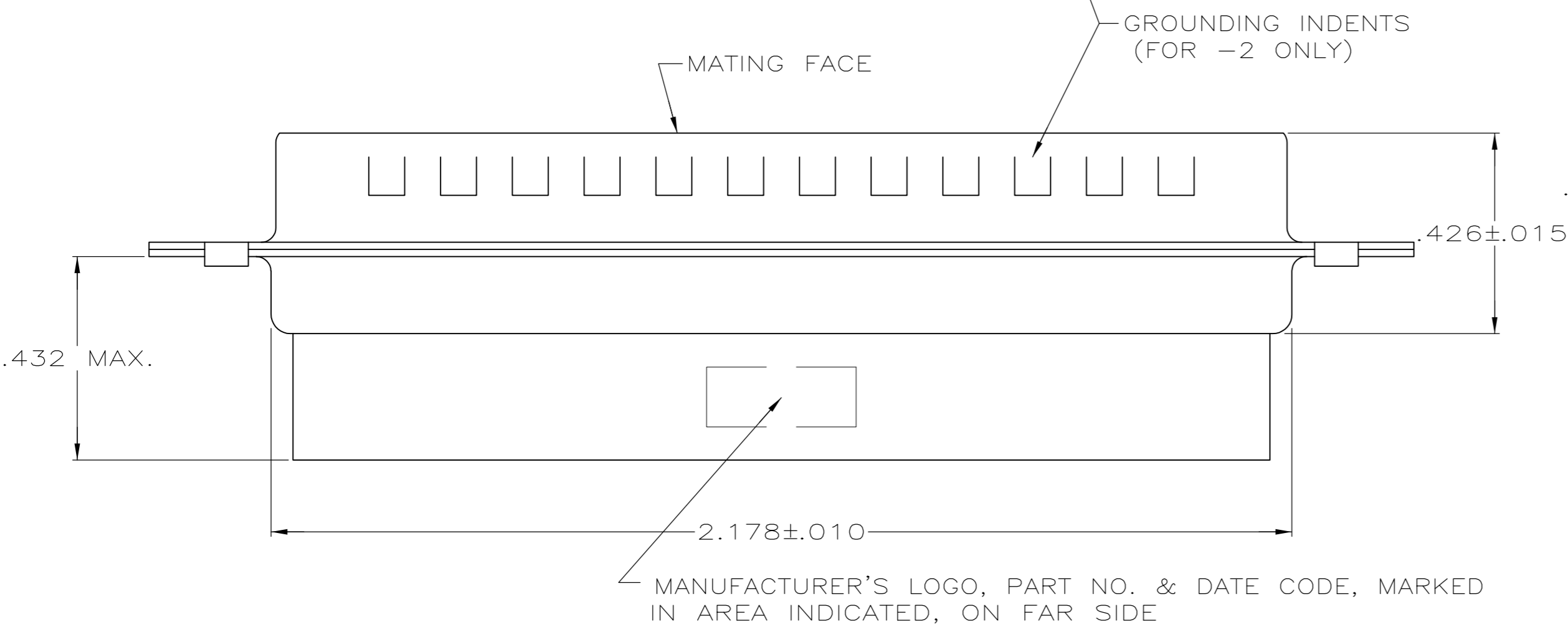
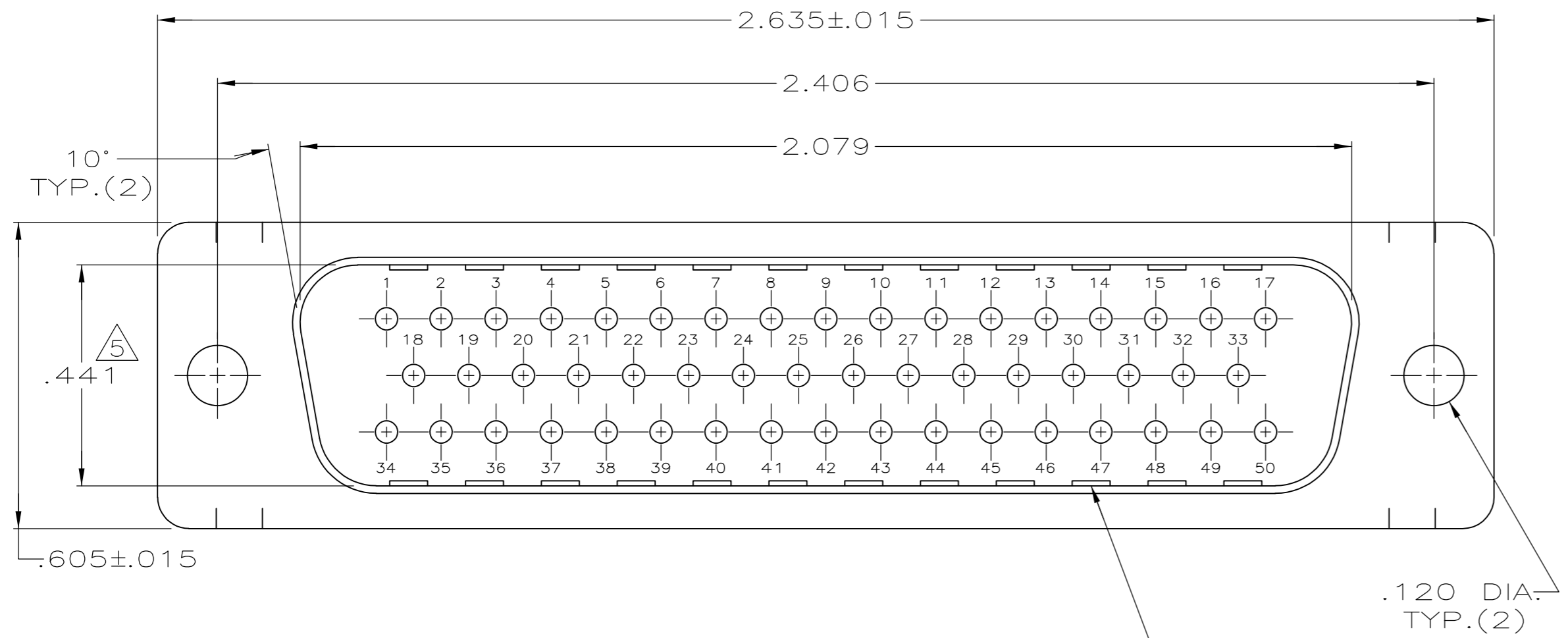


THIS DRAWING IS UNPUBLISHED. RELEASED FOR PUBLICATION
 © COPYRIGHT - By - ALL RIGHTS RESERVED.

| | | | | | | | |
|-----|------|-----------|-----|---------------------------|-----------|-----|------|
| LOC | DIST | REVISIONS | | | | | |
| GP | 00 | P | LTR | DESCRIPTION | DATE | DWN | APVD |
| | | E | | REVISED PER ECO-14-011808 | 09AUG2014 | AP | SB |



- 1 CONNECTOR ACCEPTS SIZE 20 DF PIN CONTACTS, RETENTION TINES ARE AN INTEGRAL PART OF INSERT.
- 2 MATERIAL: MOLDED PARTS - GLASS-FILLED PBT OR GLASS-FILLED NYLON, UL94V-0 RATED. COLOR: BLACK SHELLS - STEEL PER ASTM A109.
- 3 FINISH: SHELL - .000200 MIN TIN PLATE OVER .000100 MIN COPPER UNDERPLATE.
- 4 FINISH: SHELL - ZINC PLATED .000200-.000400 THICK, YELLOW CHROMATE COATING.
- 5 THIS DIMENSION IS $.441 \pm 0.010$ FOR -2.

| | | | |
|----------------|--------|-------------------|-----------|
| STANDARD | 4 | NO | 1658641-3 |
| STANDARD | 3 | YES | 1658641-2 |
| STANDARD | 3 | NO | 1658641-1 |
| PACKAGING TYPE | FINISH | GROUNDING INDENTS | PART NO. |

| | | | | | | | | | |
|---|--|------------------|------------|---------|-----------|---|-----------|------------|---------------|
| THIS DRAWING IS A CONTROLLED DOCUMENT. | | DWN | J.REITZEL | 29JUL03 | | TE Connectivity | | | |
| DIMENSIONS: INCHES | | CHK | S.BOLASH | 29JUL03 | | NAME | | | |
| TOLERANCES UNLESS OTHERWISE SPECIFIED: | | APVD | M.WALMSLEY | 29JUL03 | | PLUG CONNECTOR, SIZE 5, 50 POS., AMPLIMITE™ HDP | | | |
| 0 PLC ± - 1 PLC ± - 2 PLC ± - 3 PLC ± .005 4 PLC ± - ANGLES ± 2° | | PRODUCT SPEC | 108-40005 | | | SIZE | CAGE CODE | DRAWING NO | |
| MATERIAL | | FINISH | SEE TABLE | | 114-40030 | A2 | 00779 | C=1658641 | RESTRICTED TO |
| 2 | | CUSTOMER DRAWING | | WEIGHT | - | SCALE | 4:1 | SHEET | 1 of 1 |
| | | | | REV | | E | | | |

1658641