

**PLEASE CHECK WWW.MOLEX.COM FOR LATEST PART INFORMATION**

**Part Number:** [1727040103](#)  
**Status:** **Active**  
**Overview:** [FCT D-Sub Connectors](#)  
**Description:** FCT Metal Backshell for D-Sub Connector, Shell Size 5, 45° Angle Cable Outlet, Large Inner Chamber, with Rubber Bushing and Locking Screws

**Documents:**

[Datasheet \(PDF\)](#)  
[Brochure \(PDF\)](#)

[RoHS Certificate of Compliance \(PDF\)](#)

**General**

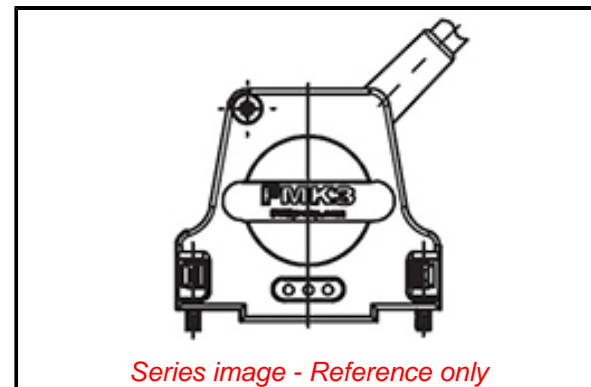
Product Family	D-Sub Products
Series	<a href="#">172704</a>
Overview	<a href="#">FCT D-Sub Connectors</a>
Product Category	Backshell
Product Name	FCT Products
Type	Rugged Metal
UPC	889056020145

**Physical**

Cable Diameter	3.00-12.00mm
Material - Backshell	Zinc Die-cast
Material - Bushing	TPE
Material - Screw	Steel
Mounting Style	Locking Screw
Net Weight	97.300/g
Orientation	45° Angle
Packaging Type	Carton
Plating - Backshell	Nickel
Shield Type	Solid Metal
Shielded	Yes
Temperature Range - Operating	-35° to +100°C
Thread Size	4-40 UNC
Thread Type	Standard
Tightening Test Torque	40 Ncm
Waterproof / Dustproof	No

**Material Info**

Engineering Number	FMK5
--------------------	------



**EU ELV**

**Not Relevant**

**EU RoHS**

**Compliant**

**REACH SVHC**

Not Reviewed

**Halogen-Free**

**Status**

**Not Reviewed**

For more information, please visit [Contact US](#)

China ROHS

ELV

RoHS Phthalates

**China RoHS**

Green Image

Not Relevant

Not Contained

**Search Parts in this Series**

[172704 Series](#)

**Use With**

FCT D-Sub, Size 5

**PLEASE CHECK WWW.MOLEX.COM FOR LATEST PART INFORMATION**