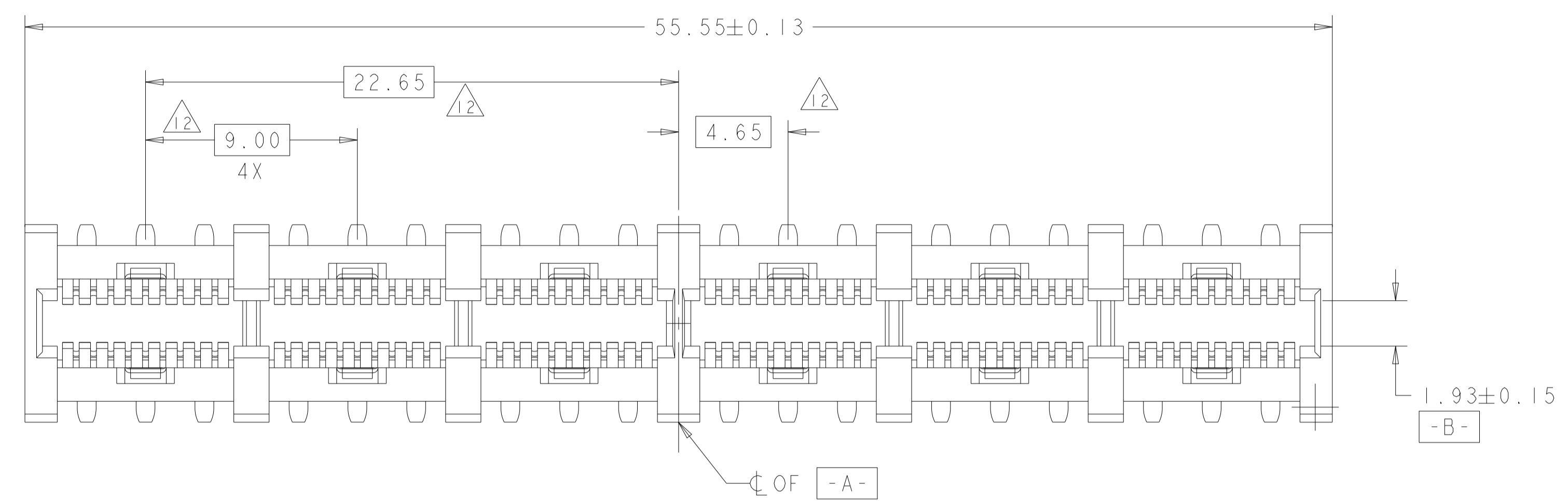
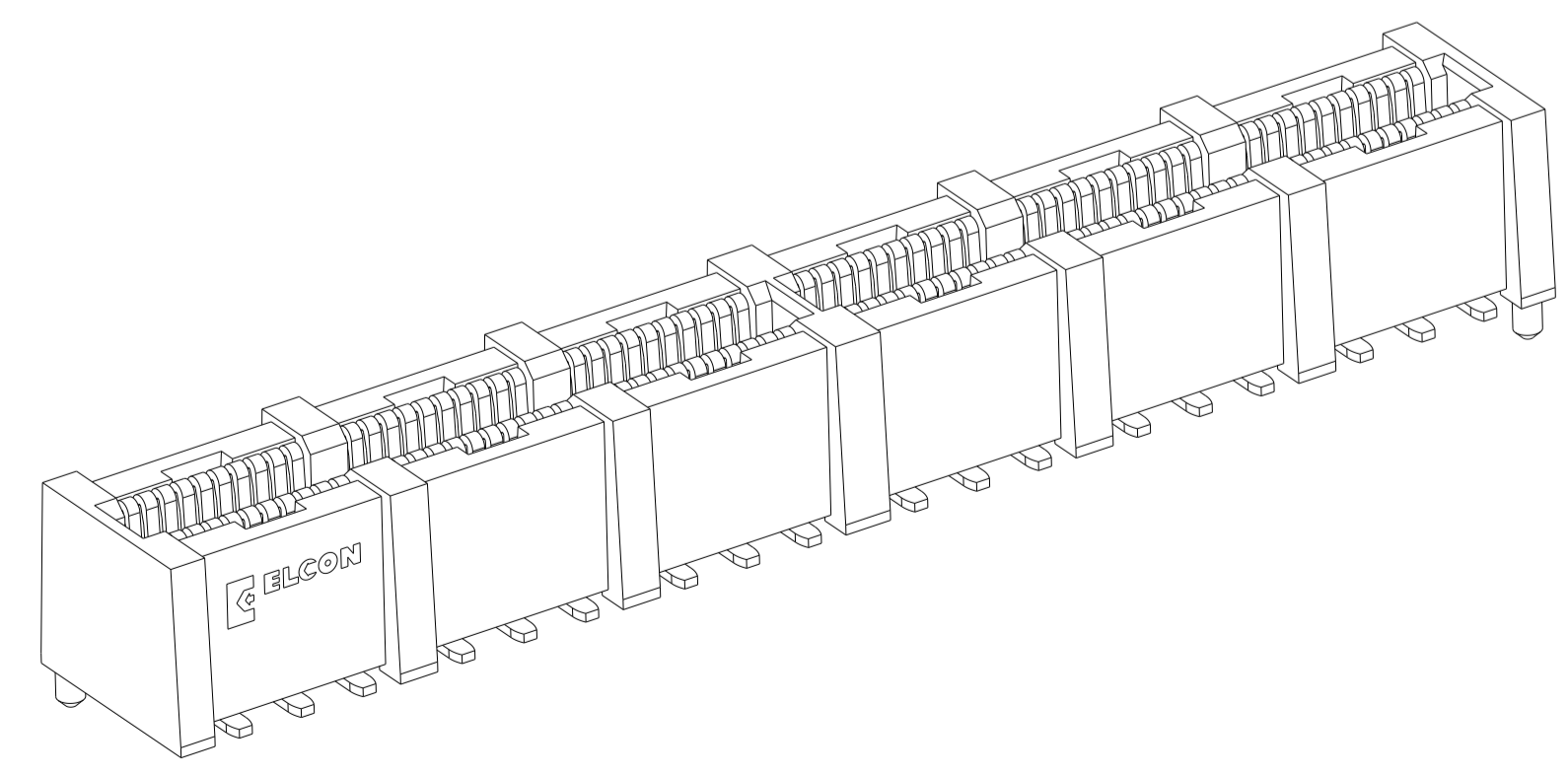
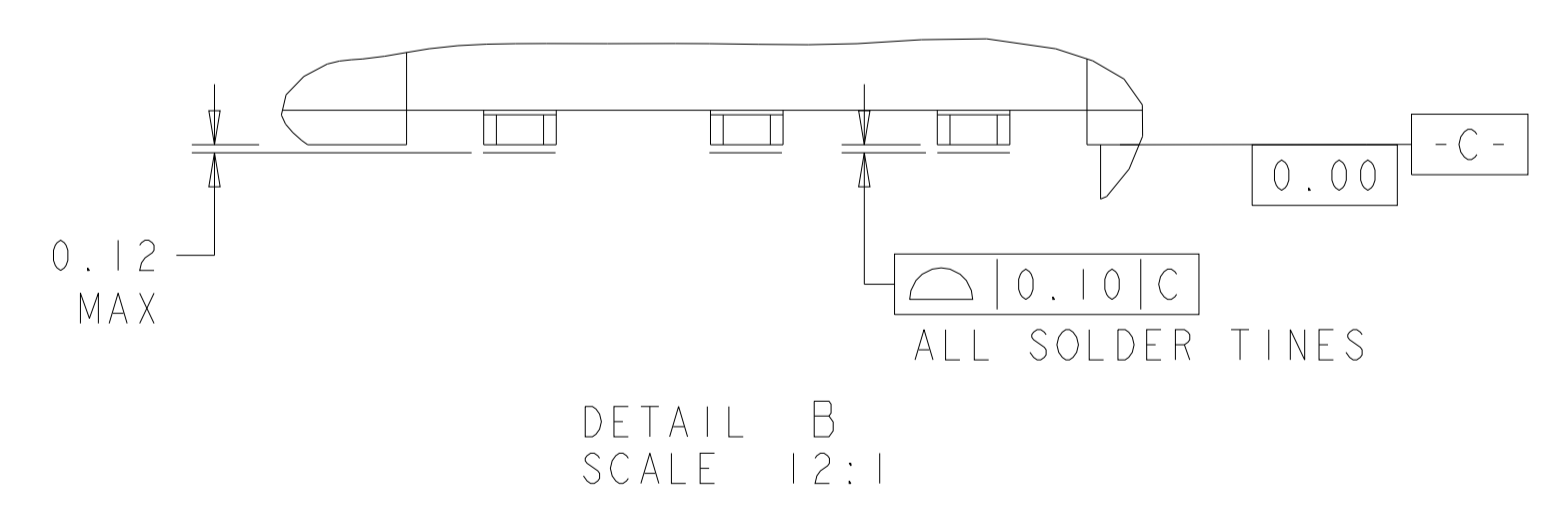
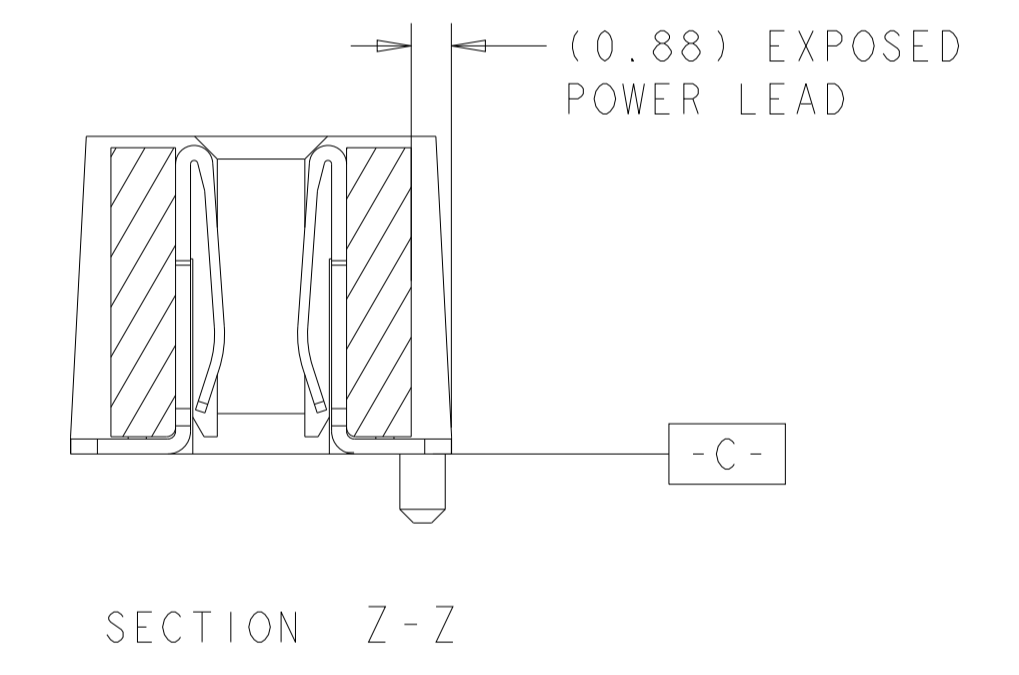
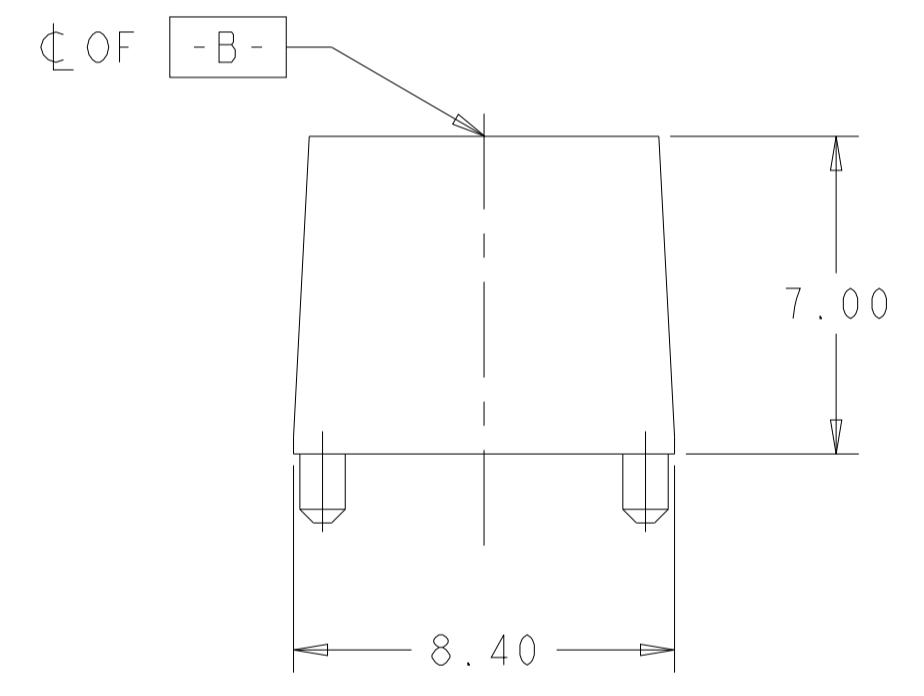
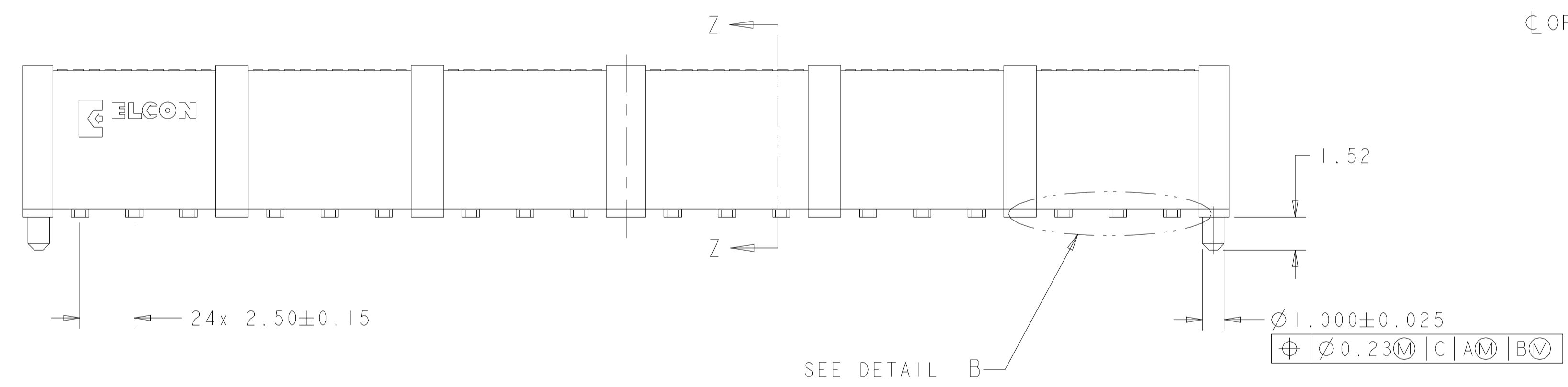


LOC	DIST	REVISIONS					
GP	00	P	LTN	DESCRIPTION	DATE	DWN	APVD
		A		RELEASED PER ECO-09-018442	14AUG2009	RG	RL
		A1		CHANGE PER ECO-09-019916	28AUG2009	MTS	MTS
		A2		ADD NEW DASH NUMBER	22DEC2020	SZ	SZ
		B		ECN-21-103539	30APR2021	RY	SZ



- PART NUMBER CHANGES AND OR DESIGN CHANGES AFFECTING ITEM INTERCHANGEABILITY REQUIRE PRIOR TYCO ELECTRONICS APPROVAL AND AUTHORIZATION BY REVISION TO THIS DRAWING.
- MATERIAL:
HOUSING: THERMOPLASTIC GLASS REINFORCED, COLOR-BLACK
UL94V-0 FLAMMABILITY RATED
CONTACTS: COPPER ALLOY
- FINISH:
POWER CONTACTS:
1.27µm MIN NICKEL PLATE ALL OVER
MATING AREA-0.76µm MIN GOLD OVER NICKEL PLATE
SMT TAILS-3.05µm MIN TIN OVER NICKEL PLATE
- ITEMS PROVIDED TO THIS SPECIFICATION TO BE PERMANENTLY IDENTIFIED WITH PART NUMBER AND DATE CODE.
- DATUMS AND BASIC DIMENSIONS ESTABLISHED BY CUSTOMER.
- FOR DESIGN OBJECTIVES SEE 108-2301.
- MAXIMUM BURR OF 0.013 ON CARD TAB AREA.
- CONNECTOR ACCEPTS 1.57±0.13 THK. PC BOARD.
- KEEP OUT AREA FOR COMPONENTS ONLY
- RECOMMENDED GOLD FINGER LENGTH FOR RELIABLE CONTACT.
- CONNECTOR MATES WITH TYCO ELECTRONICS P/N 1926785-1 OR 6651711-1, OR EQUIVALENT.
- MEASURED CENTERLINE OF HOUSING CIRCUIT WITHOUT CONTACTS.

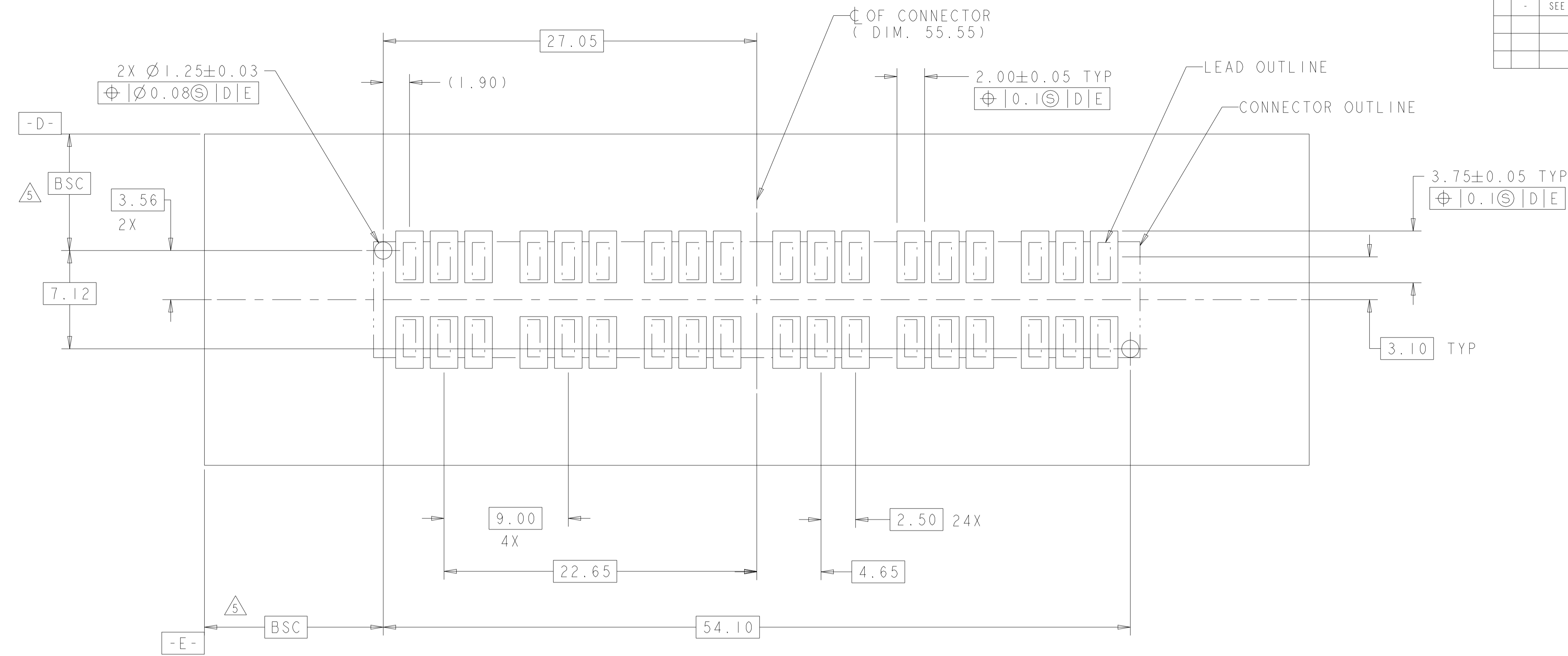


SCALE 4:1

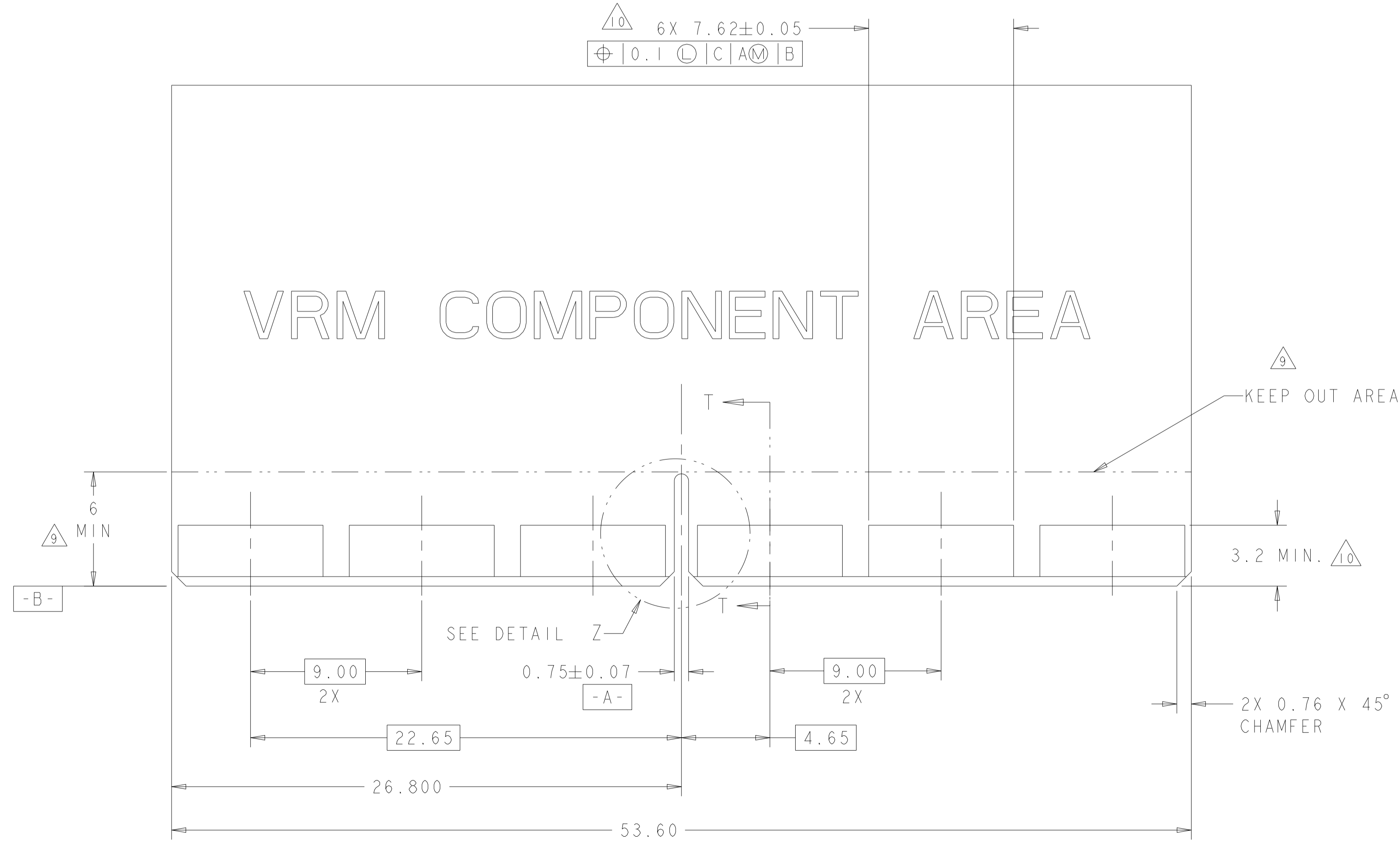
AS SHOWN	1926793-2
DESCRIPTION	PART NUMBER

<small>THIS DRAWING IS UNPUBLISHED. RELEASED FOR PUBLICATION 20. COPYRIGHT 20 BY TYCO ELECTRONICS CORPORATION. ALL RIGHTS RESERVED.</small>		DWN: RICHARD YU 22DEC2020 CHK: SEAN HAN 22DEC2020	Tyco Electronics Harrisburg, PA 17105-3608
DIMENSIONS: mm 0 PLC ±.5 1 PLC ±.5 2 PLC ±.25 3 PLC ±.5 4 PLC ±.5 ANGLES ±.5 FINISH	TOLERANCES UNLESS OTHERWISE SPECIFIED: ±.5	NAME: SEAN HAN PRODUCT SPEC APPLICATION SPEC SIZE: CAGE CODE DRAWING NO WEIGHT: - CUSTOMER DRAWING	Tyco Electronics Harrisburg, PA 17105-3608 SOCKET CONNECTOR ASSEMBLY SMT 6 POWER, MINI CROWN EDGE A 00779 C=1926793 SCALE 6:1 SHEET 1 OF 3 REV B

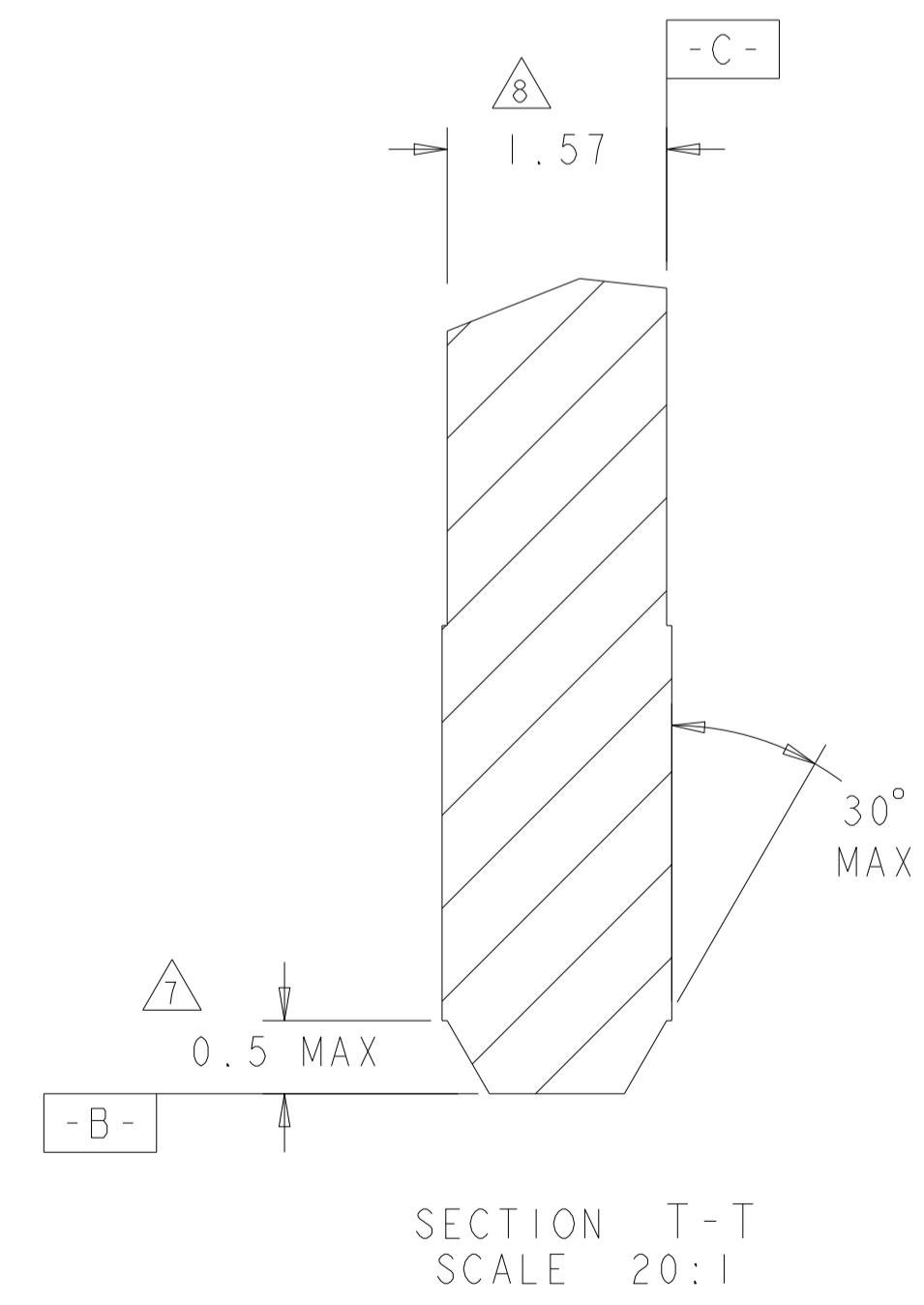
LOC		DIST		REVISONS			
GP	00	P	LTN	DESCRIPTION	DATE	DMN	APVD
-	-	-	-	SEE SHEET 1	-	-	-
-	-	-	-	-	-	-	-
-	-	-	-	-	-	-	-



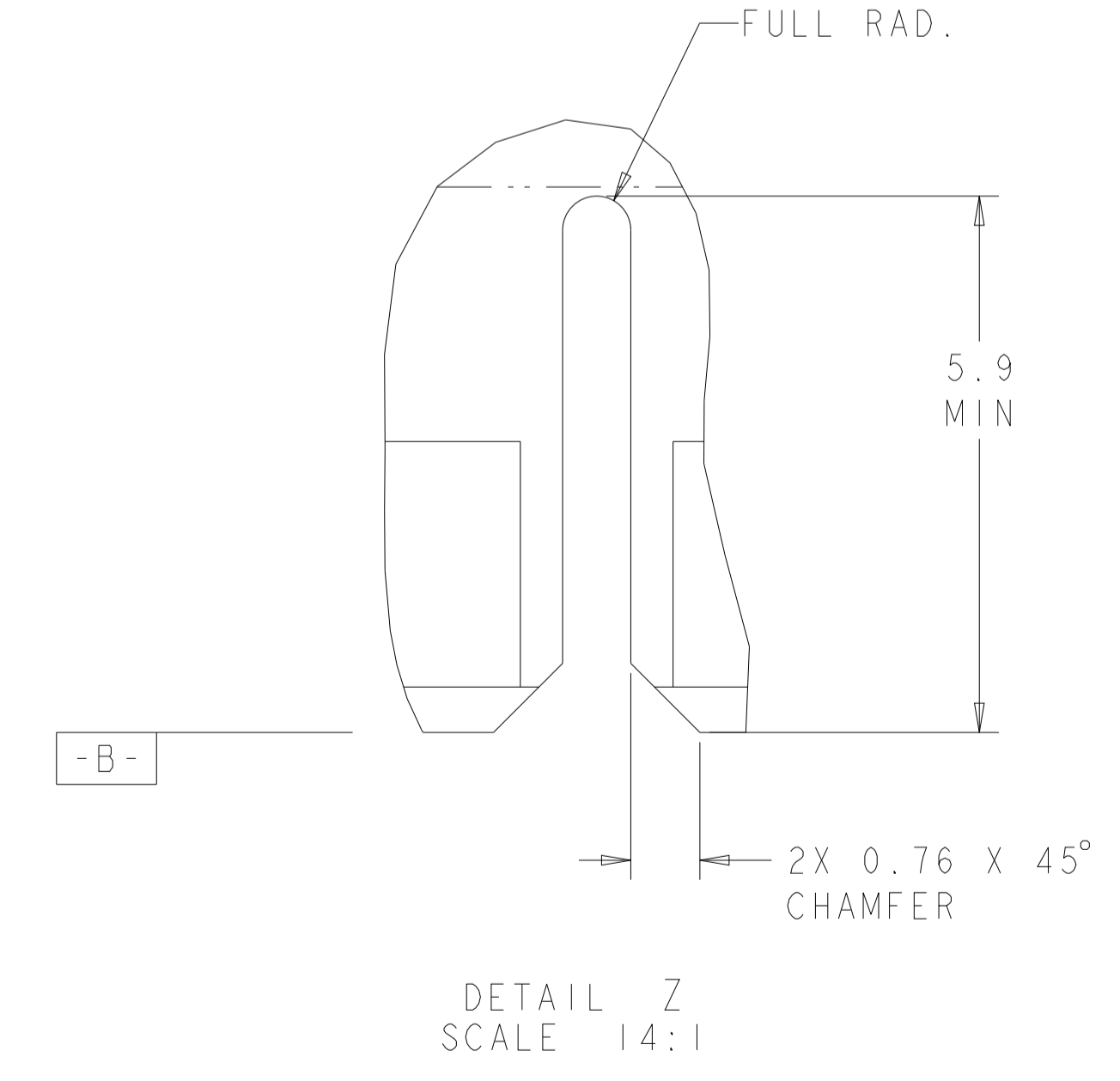
RECOMMENDED SOLDER LAND GUIDELINE
 AS VIEWED FROM THE CONNECTOR SIDE
 SCALE 6:1



RECOMMENDED MATING BOARD
 SCALE 6:1



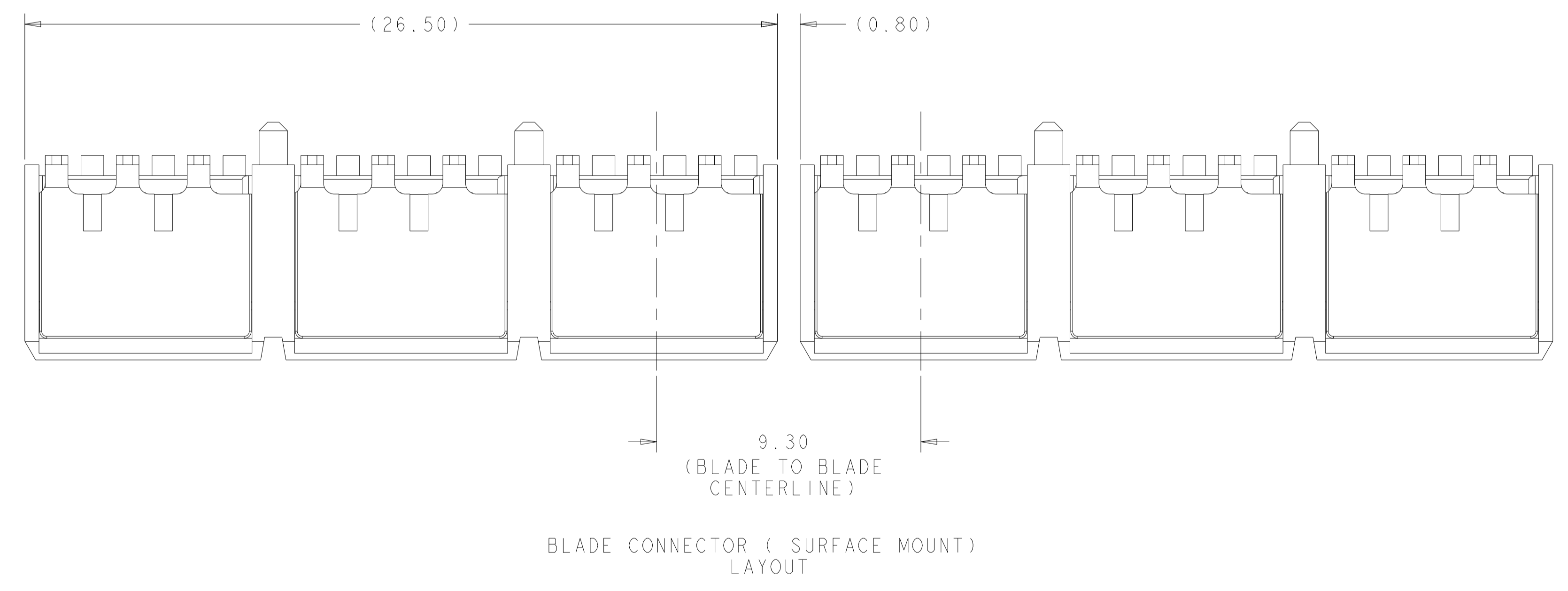
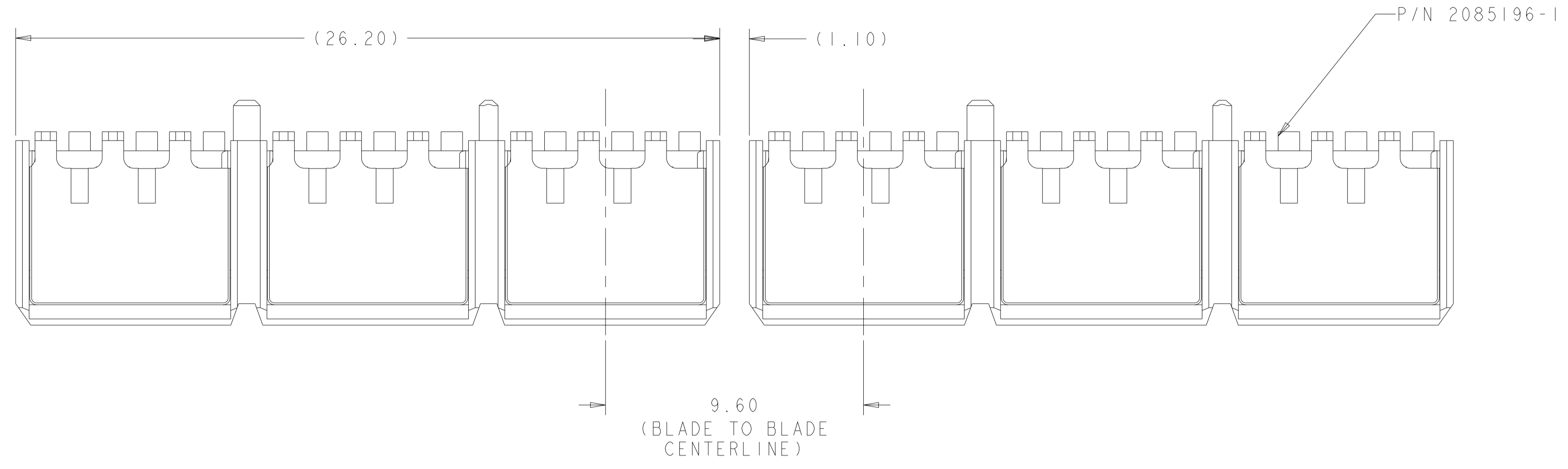
SECTION T-T
 SCALE 20:1



DETAIL Z
 SCALE 14:1

DIMENSIONS:		TOLERANCES UNLESS OTHERWISE SPECIFIED:		DMN: RICHARD YU	22DEC2020	Tyco Electronics Harrisburg, PA 17105-3608	
mm	0 PLC	±	0.25	CHK: SEAN HAN	22DEC2020	NAME: SOCKET CONNECTOR ASSEMBLY	
	1 PLC	±	0.5	PRODUCT SPEC		SMT	
	2 PLC	±	1.0	APPLICATION SPEC		6 POWER, MINI CROWN EDGE	
	3 PLC	±	1.5			SIZE: A	CAGE CODE: 1926793
	4 PLC	±	2.0			SCALE: 6:1	SHEET 2 OF 3
	ANGLES	±	±5	WEIGHT: -		REV: B	
MATERIAL: -	FINISH: -			CUSTOMER DRAWING			

LOC	DIST	REVISIONS			
P	LTN	DESCRIPTION	DATE	DMN	APVD
-	-	SEE SHEET 1	-	-	-



<small>THIS DRAWING IS A CONTROLLED DOCUMENT FOR TYCO ELECTRONICS CORPORATION. IT IS THE PROPERTY OF TYCO ELECTRONICS CORPORATION AND IS NOT TO BE REPRODUCED OR TRANSMITTED IN ANY FORM OR BY ANY MEANS, ELECTRONIC OR MECHANICAL, INCLUDING PHOTOCOPYING, RECORDING, OR BY ANY INFORMATION STORAGE AND RETRIEVAL SYSTEM, WITHOUT THE WRITTEN PERMISSION OF TYCO ELECTRONICS CORPORATION.</small>		DWN RICHARD YU 22DEC2020 CHK	Tyco Electronics Harrisburg, PA 17105-3608
DIMENSIONS: mm		APVD SEAN HAN 22DEC2020 PRODUCT SPEC	NAME SOCKET CONNECTOR ASSEMBLY SMT 6 POWER, MINI CROWN EDGE
TOLERANCES UNLESS OTHERWISE SPECIFIED: 0 PLC ±.5 1 PLC ±.5 2 PLC ±.25 3 PLC ±.5 4 PLC ±.5 ANGLES ±.5 FINISH		APPLICATION SPEC	SIZE A 00779 C=1926793
MATERIAL		WEIGHT	RESTRICTED TO CUSTOMER DRAWING
AMP 4805 REV 31MAR2000		SCALE 6:1	SHEET 3 OF 3 REV B