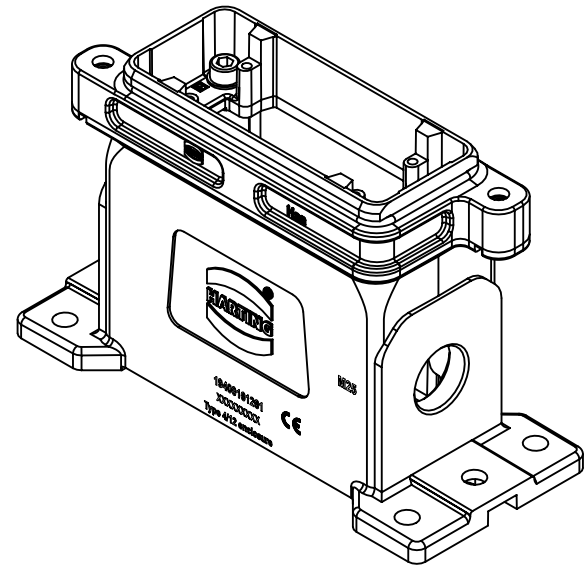
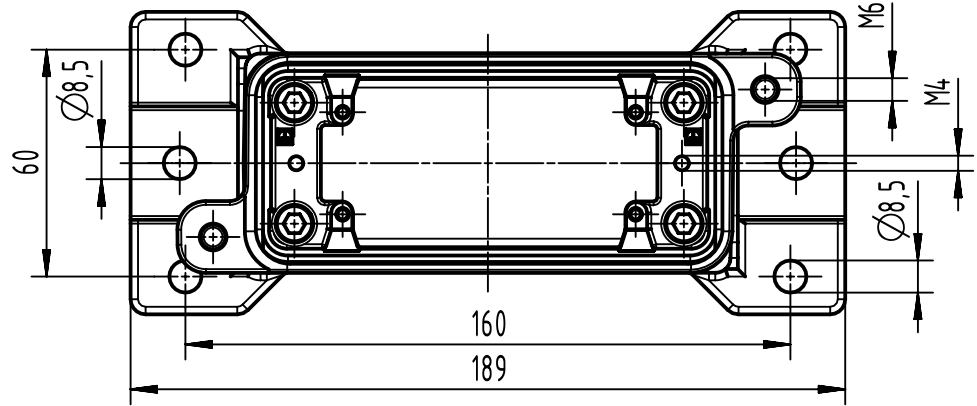
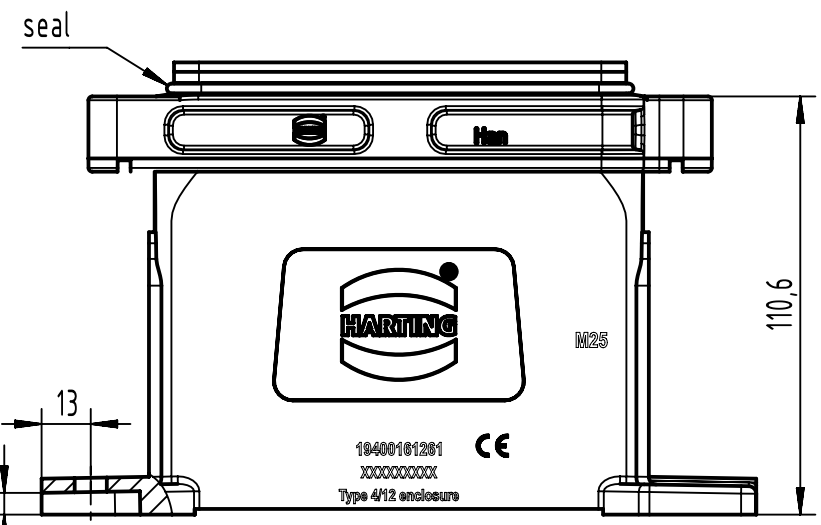
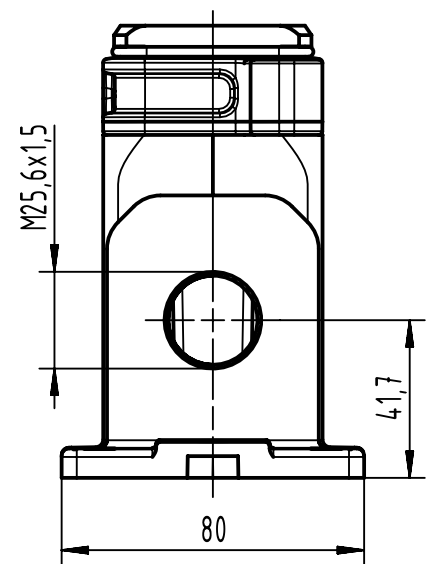
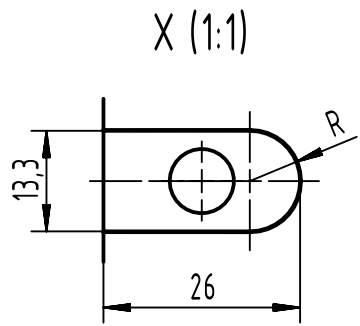


1 2 3 4 5 6

A
B
C
D



	All Dimensions in mm Original Size DIN A4		Scale 1:2	Free size tol.		Ref.	
	All rights reserved Department EL PD		Created by SPRENB	Inspected by SUNDERMEIER	Standardisation 302077	Sub.	
HARTING D-32339 Espelkamp			Title Han 16HPR-asg1-SV-M25			Date 2021-01-12	State Final Release
			Type TB	Number 19 40 016 1261		Doc-Key / ECM-Nr. 100126155/UGD/005/D 500000186068	Rev. D