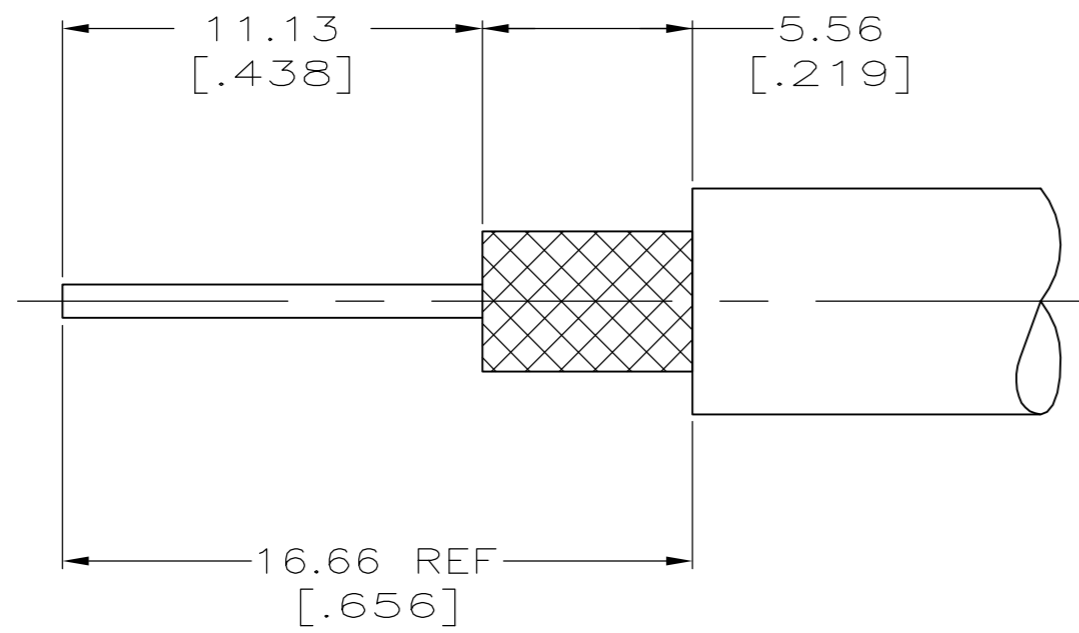


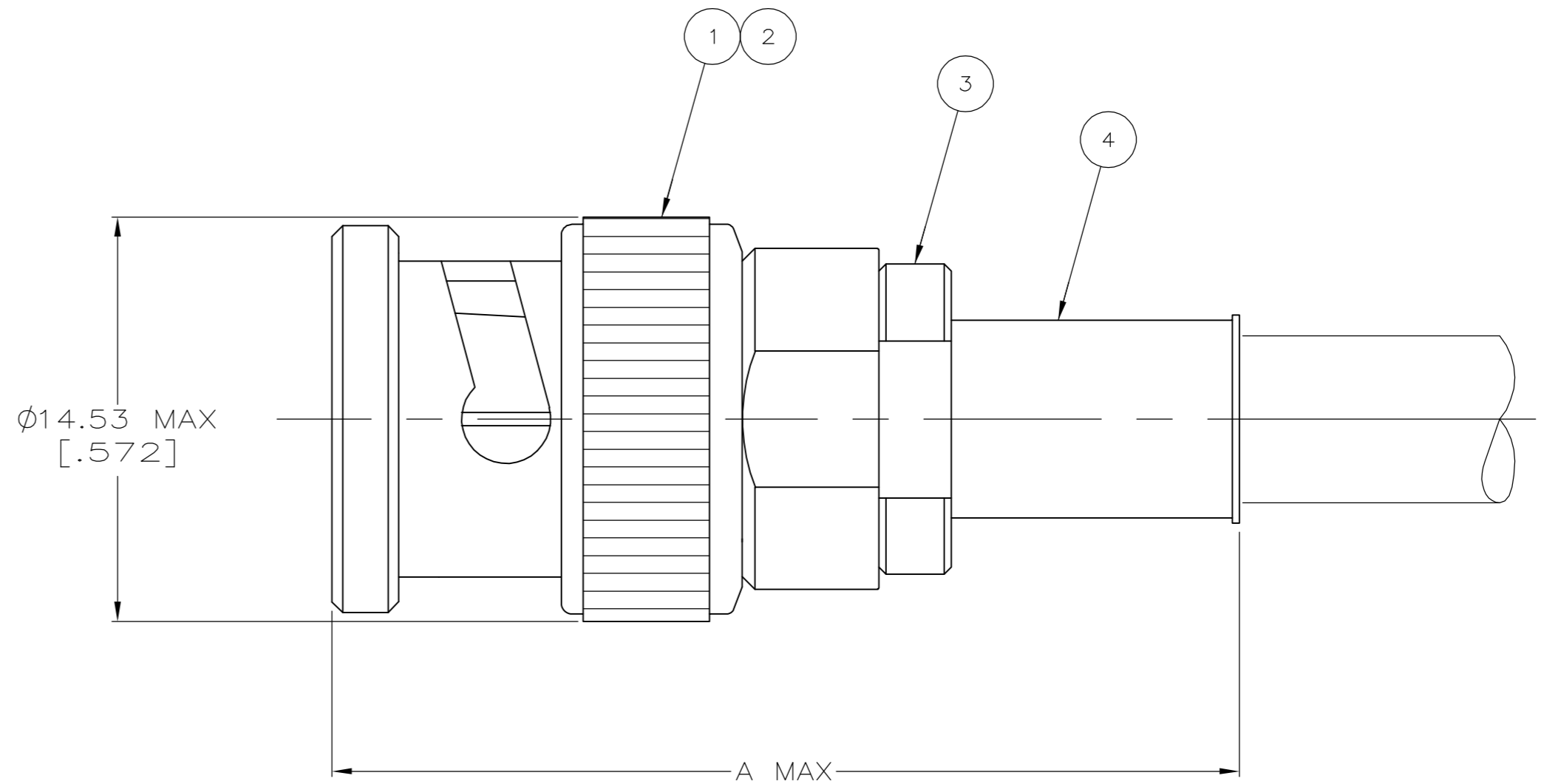
THIS DRAWING IS UNPUBLISHED. RELEASED FOR PUBLICATION
 © COPYRIGHT BY TYCO ELECTRONICS CORPORATION. ALL RIGHTS RESERVED.

| Loc | DIST | REVISIONS | | | |
|-----|------|-------------|-------------------------|-----------|-------|
| P | LTR | DESCRIPTION | DATE | DWN | APVD |
| AJ | 16 | 0 | REV PER EC-0S14-0496-04 | 03FEB2005 | AF JL |

1. CRIMP TOOL: 69141-1
2. RG-59/U,59A/U,59B/U,62/U,62A/U,62B/U,124/U,140/U AND 210/U
3. SEE I.S. 1799-1



RECOMMENDED STRIP LENGTH



| | | | | | | | |
|---------------|-------|---------|--------------------|-------------------------------|-------------------|--------------------------|-------------|
| 34.93 [1.375] | 2 | .416 OZ | 9-329041-0 | 9-50780-6 | 2-329106-1 | 9-329327-1 | 2-5329083-1 |
| A | CABLE | WEIGHT | 4 FERRULE QTY=1 | 3 CRIMP END ASSEMBLY QTY=1 | 2 GASKET QTY=1 | 1 PLUG ASSEMBLY QTY=1 | PART NUMBER |

| | | | | |
|--|------------|--|---|---------------|
| THIS DRAWING IS A CONTROLLED DOCUMENT. | | DWN A. FERNANDEZ-DOCK5 03FEB2005 | Tyco Electronics Corporation Harrisburg, PA 17105-3608 | |
| DIMENSIONS: MM [INCHES] | | CHK J. HAVENER 03FEB2005 | NAME | |
| TOLERANCES UNLESS OTHERWISE SPECIFIED: | | APVD J. LIPPERT 03FEB2005 | PLUG, SERIES BNC | |
| 0 PLC ± - | 1 PLC ± - | PRODUCT SPEC | SIZE | RESTRICTED TO |
| 2 PLC ± 0.41 [.016] | 3 PLC ± - | APPLICATION SPEC | CAGE CODE | |
| 4 PLC ± - | ANGLES ± - | | DRAWING NO | |
| MATERIAL | FINISH | WEIGHT | 00779 | |
| - | - | - | C=5329083 | |
| CUSTOMER DRAWING | | | SCALE 5:1 | SHEET 1 OF 1 |

5329083