

4

3

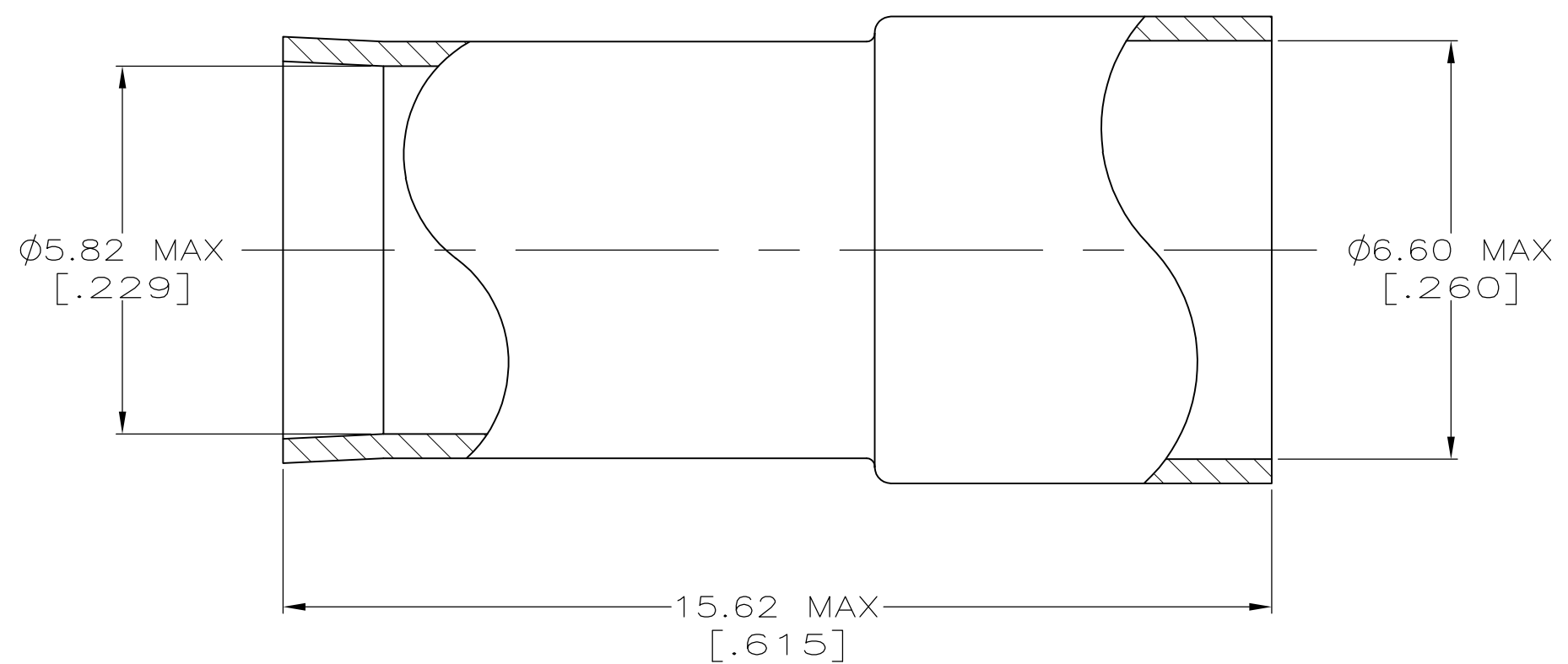
2

1

THIS DRAWING IS UNPUBLISHED. RELEASED FOR PUBLICATION
© COPYRIGHT - BY TYCO ELECTRONICS CORPORATION. ALL RIGHTS RESERVED.

LOC	DIST	REVISIONS					
AJ	16	P	LTR	DESCRIPTION	DATE	DWN	APVD
			L	REVISED PER ECO-10-008441	21MAY10	HMR	KW

- 1 COPPER ALLOY
- △2 SILVER PLATE PER QQ-S-365, 5.08 MIN THICKNESS. μm [.000200]
- △3 TIN-LEAD PLATE PER ASTM-B-545, 2.54 MIN THICKNESS, WITH SUPPLEMENTAL ~~ANTI [FOR] TUNG~~ LUBRICANT.
- △4 TIN PLATE PER ASTM-B-545, 2.54 MIN THICKNESS, WITH SUPPLEMENTAL ~~ANTI [FOR] TUNG~~ LUBRICANT.



OBSOLETE	△4	9-228784-0
	△2	228784-4
	△3	228784-3
FINISH		PART NUMBER

THIS DRAWING IS A CONTROLLED DOCUMENT.		DWN	14NOV95	Tyco Electronics Corporation	
		CHK	14NOV95	Harrisburg, Pa 17105-3608	
		APVD	14NOV95	NAME	
		PRODUCT SPEC	FERRULE		
		APPLICATION SPEC			
		WEIGHT	A3 00779 C-228784		RESTRICTED TO
MATERIAL		FINISH	SCALE 10:1		SHEET 1 OF 1
SEE NOTES		SEE NOTES	REV L		
		CUSTOMER DRAWING			