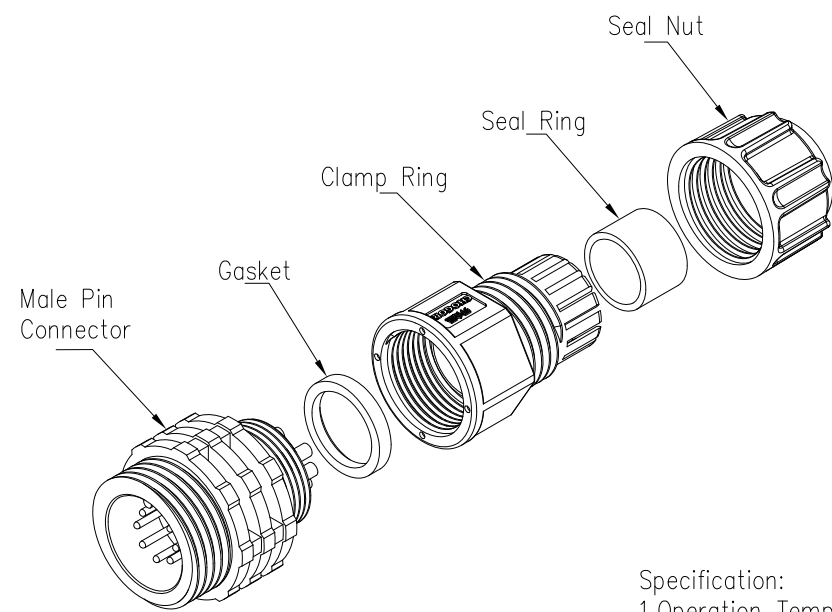
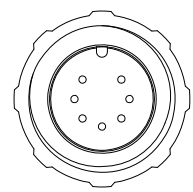
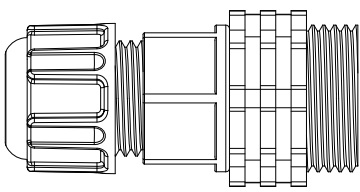
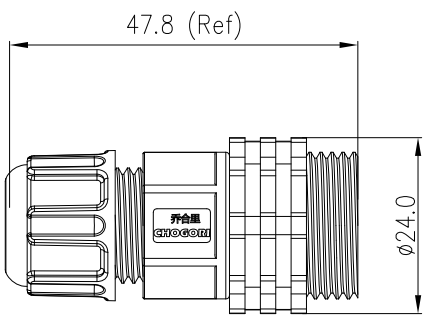


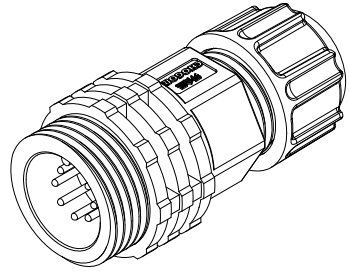
THIS INFORMATION IS CONFIDENTIAL AND IS DISCLOSED TO YOU ON CONDITION THAT NO FURTHER DISCLOSURE IS MADE BY YOU TO OTHER THAN CHOGORI PERSONNEL WITHOUT AUTHORIZATION FROM CHOGORI CORP.

REV.	ECN NO.	DESCRIPTION	SIGN	DATE
C1	N/A	INITIAL DRAWING	Hary	2020/05/19



23XXX311-XX Cable Range OD
 01 OD: $\phi 3.5\text{mm} \sim \phi 6.5\text{mm}$
 02 OD: $\phi 6.5\text{mm} \sim \phi 9.5\text{mm}$
 Pin Number

- Specification:
- 1.Operation Temperature: $-45^{\circ}\text{C} \sim 105^{\circ}\text{C}$.
 - 2.Insulation Resistance: $100\text{M}\Omega$ at DC500V.
 - 3.Contact Resistance: $<10\text{m}\Omega$.
 - 4.Withstand Voltage: 1300V AC
 - 5.Operating Current: 5A
 - 6.Operating Voltage: AC 60V
 - 7.Waterproof Rate: IP67 (Mated)
 - 8.Seal Nut: Nylon, Black
 - 9.Seal Ring: Silicon, Black.
 - 10.Clamp Ring: Nylon, Black
 - 11.Gasket: Silicon, Red
 - 12.Male Pin: Copper Alloy, Gold Plated
 - 13.Connector: Nylon+GF, Black
 - 14.RoHS Compliant.
 - 15.Mating Cap: 806-00052-00



7 Pin	8 Pin	9 Pin
P/N: 23007311-XX	P/N: 23008311-XX	P/N: 23009311-XX
Pin Assignments Front View		

UNIT: mm		DESCRIPTION Middle Series Screw Female Plug With Male Pin	CHOGORI [®]	PART NO 23XXX311-XX	DRAWN BY Hary	DATE 2020/05/19
TOLERANCE .X ±0.25 .XX ±0.15 .XXX ±0.05 ANGLES ±1°	SCALE: 1:1	SHEET 1 OF 1		DWG NO	CHECKED BY Mo	DATE 2020/05/19
REV. C1	SIZE A4	* : Inspection Item		CUSTOMER	APPROVED BY Panson	DATE 2020/05/19