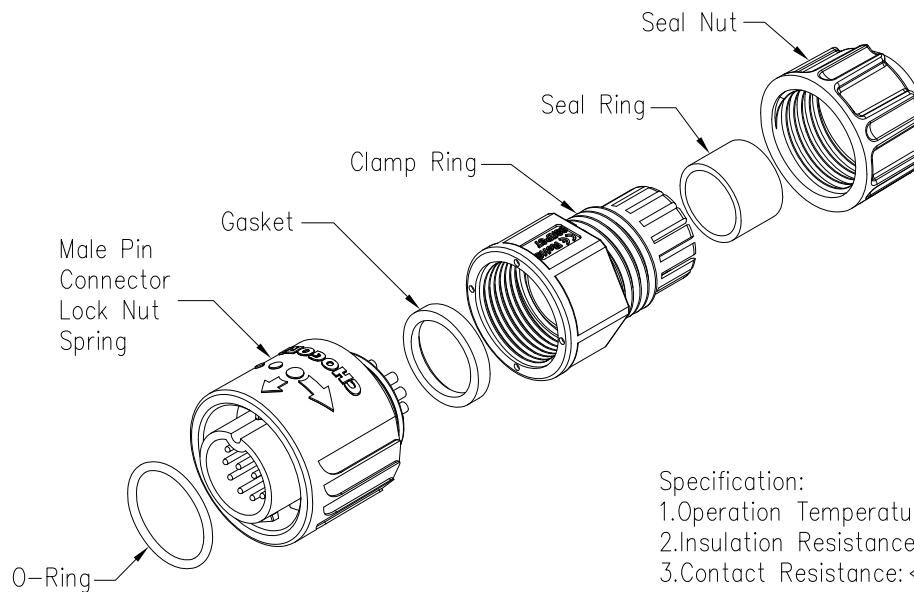
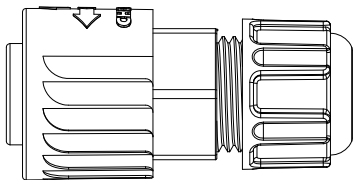
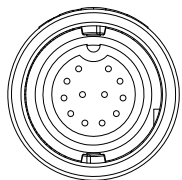
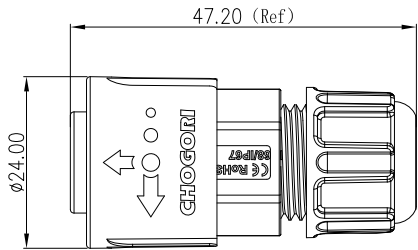


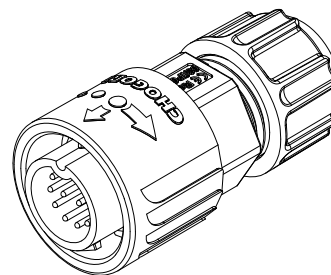
REV.	ECN NO.	DESCRIPTION	SIGN	DATE
C1	N/A	INITIAL DRAWING	Hary	2020/05/12



23XXX131-XX Cable Range OD
 01 OD: $\phi 3.5\text{mm} \sim \phi 6.5\text{mm}$
 02 OD: $\phi 6.5\text{mm} \sim \phi 9.5\text{mm}$
 Pin Number

Specification:

1. Operation Temperature: $-45^{\circ}\text{C} \sim 105^{\circ}\text{C}$.
2. Insulation Resistance: $100\text{M}\Omega$ at DC500V.
3. Contact Resistance: $<10\text{m}\Omega$.
4. Withstand Voltage: 1000V AC
5. Operating Current: 2A
6. Operating Voltage: AC 30V
7. Waterproof Rate: IP67 (Mated)
8. Seal Nut: Nylon, Black
9. Seal Ring: Silicon, Black.
10. Clamp Ring: Nylon, Black
11. Gasket: Silicon, Red
12. Male Pin: Copper Alloy, Gold Plated
13. Connector: Nylon+GF, Black
14. Lock Nut: Nylon, Blue
15. Spring: SUS
16. O-Ring: Silicon, Red
17. RoHS Compliant.
18. Mating Cap: 804-00007-00



12 Pin	14 Pin	18 Pin
P/N: 23012131-XX	P/N: 23014131-XX	P/N: 23018131-XX
Pin Assignments Front View		

UNIT: mm		DESCRIPTION Middle Series Push Lock Male Plug With Male Pin
TOLERANCE .X ± 0.25 .XX ± 0.15 .XXX ± 0.05 ANGLES $\pm 1^{\circ}$	SCALE: 1:1	SHEET 1 OF 1
REV. C1	SIZE A4	* : Inspection Item

CHOGORI

PART NO	23XXX131-XX	DRAWN BY	Hary	DATE	2020/05/12
DWG NO		CHECKED BY	Mo	DATE	2020/05/12
CUSTOMER		APPROVED BY	Panson	DATE	2020/05/12

THIS INFORMATION IS CONFIDENTIAL AND IS DISCLOSED TO YOU ON CONDITION THAT NO FURTHER DISCLOSURE IS MADE BY YOU TO OTHER THAN CHOGORI PERSONNEL WITHOUT AUTHORIZATION FROM CHOGORI CORP.