

4

3

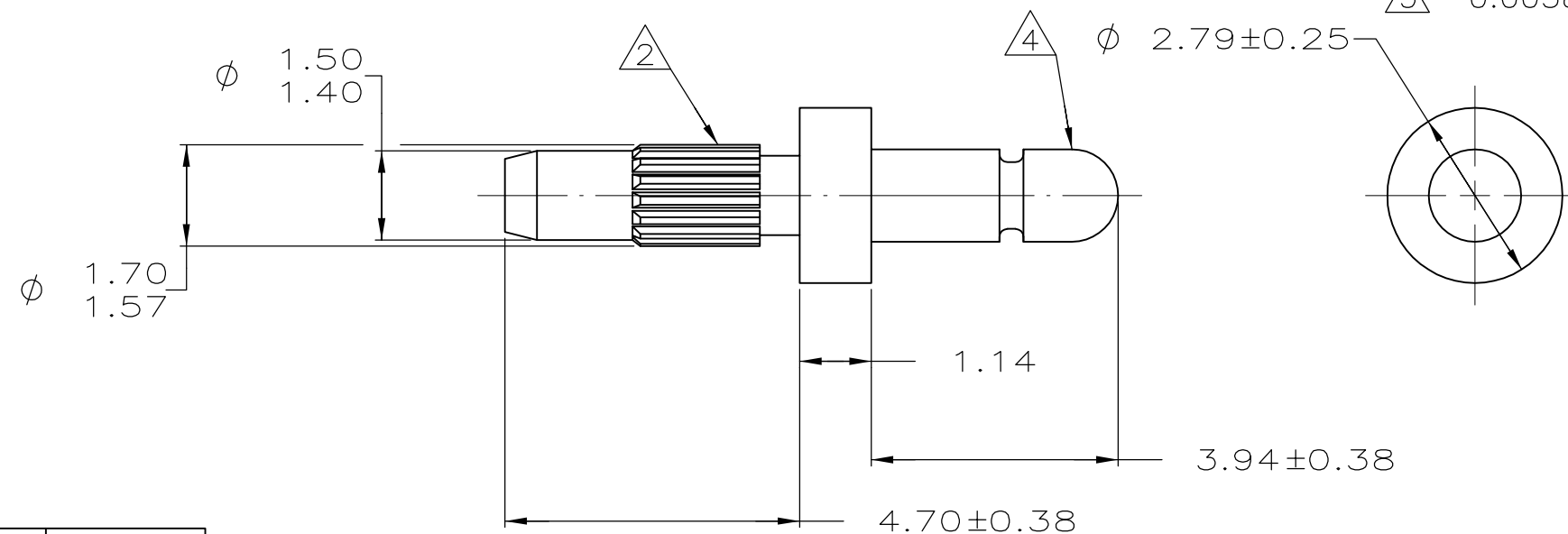
2

1

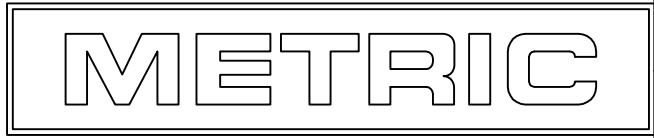
THIS DRAWING IS UNPUBLISHED. RELEASED FOR PUBLICATION
 © COPYRIGHT - TE Connectivity ALL RIGHTS RESERVED.

REVISIONS				
P	LTR	DESCRIPTION	DATE	APVD
	H2	REVISED PER ECR-17-013215	18SEP17	J.Z D.Z

- ① 0.00381 MIN BRIGHT TIN LEAD PLATING ALL OVER.
- ② REED STRAIGHT TOOTH KNURL CS 80-80 T.P.I., 125 TEETH, 70° INCLUDED ANGLE. FITS 1.50 - 1.57 DIAMETER HOLE IN A 3.18 PRINTED CIRCUIT BOARD.
- 3. PARTS TO COMPLY WITH AMP SOLDERABILITY SPECIFICATION 109-11-3.
- ④ MATES WITH AMP PARTS 60354 AND 60598.
- ⑤ 0.00381 MIN BRIGHT TIN PLATING ALL OVER.



mm	in
4.70	.185
3.94	.155
3.18	.125
2.79	.110
1.70	.067
1.57	.062
1.50	.059
1.47	.058
1.40	.055
1.14	.045
0.38	.015
0.25	.010
0.13	.005
0.00381	0.000150
MM	IN
CONVERSION TABLE	



⑤	3-60753-2
⑤	60753-2
FINISH	PART NUMBER

THIS DRAWING IS A CONTROLLED DOCUMENT.		DWN K. WHITAKER 12JUL2006	TE Connectivity NAME PIN, .058 DIAMETER, BRASS, KNURLED, P.C. CONTACT	
DIMENSIONS: mm		CHK D. BOSSI 12JUL2006		
TOLERANCES UNLESS OTHERWISE SPECIFIED:		APVD D. BOSSI 12JUL2006	PRODUCT SPEC 108-1025	
0 PLC ± - 1 PLC ± - 2 PLC ± 0.13 3 PLC ± - 4 PLC ± - ANGLES ± -		APPLICATION SPEC 114-1008		RESTRICTED TO -
MATERIAL BRASS		FINISH SEE TABLE	WEIGHT 0.000000	SIZE A3
		CUSTOMER DRAWING SCALE 10:1		CAGE CODE 00779 DRAWING NO C-60753 SHEET 1 OF 1 REV H2