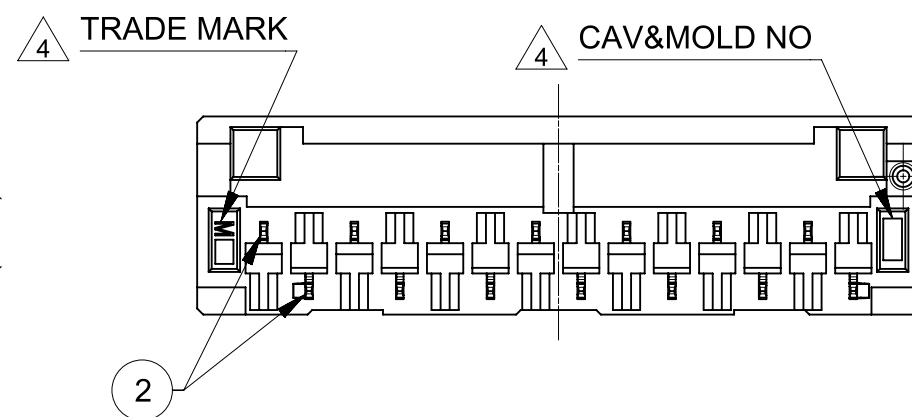
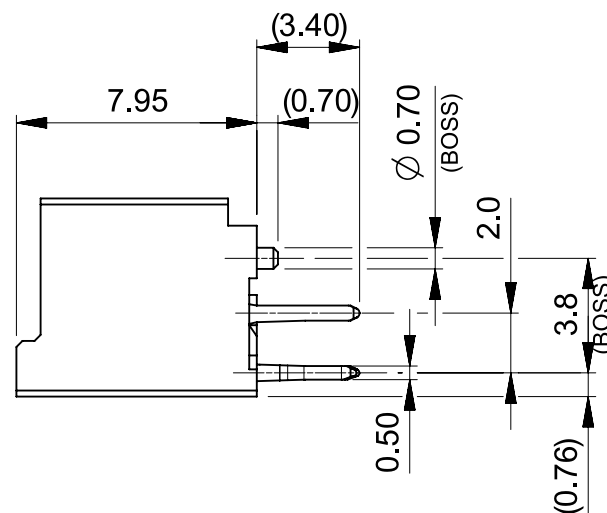


NOTES

- ① 極数/2 = 偶数に適応
APPLY FOR CIRCUIT SIZE / 2 =EVEN
- ② 適用製品及び各種仕様書はSHEET 5を参照のこと
REFER TO SHEET 5 ABOUT APPLICABLE PRODUCTS AND VARIOUS SPECIFICATIONS.

- ④ トレードマーク：Mプラス 1~2文字のアルファベットにて表示。(例：MXJ)
但し、"J"はJAPANを表す。
キャビティー番号：1~2桁の数字で構成。
金型番号：アルファベット1文字にて構成。



- ③ オーダー番号(製品番号): SHEET 3の製品一覧を参照のこと
ORDER No (PRODUCT No) : REFER TO SHEET 3 FOR PRODUCT LIST.

503159 ****

シリーズ番号 極数 色
SERIES NO CIRCUIT SIZE COLOR
ボス有無
WITH OR WITHOUT BOSS

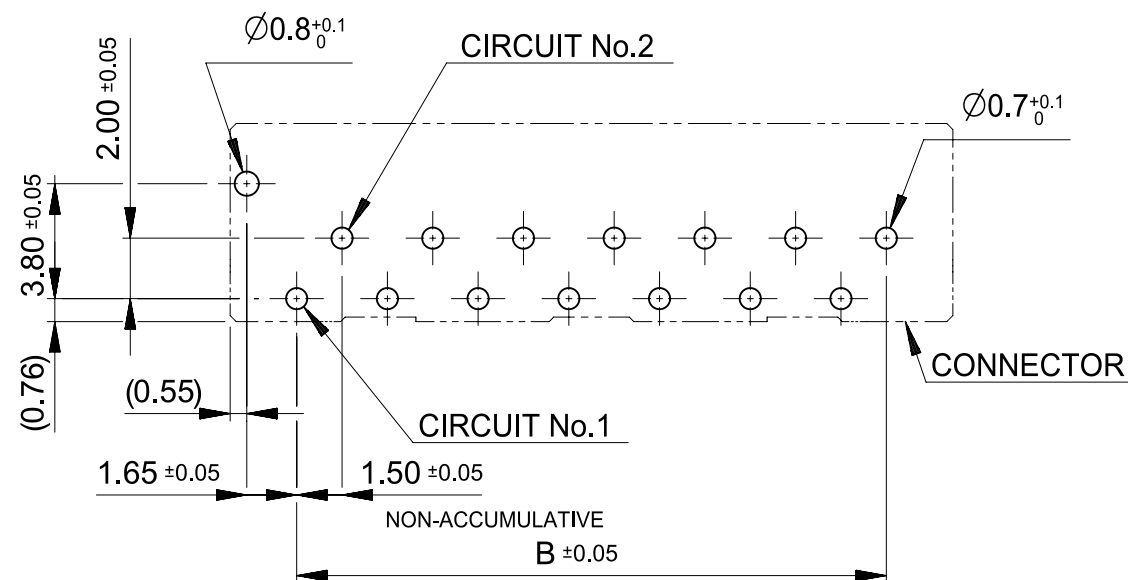
| CIRCUIT | BOSS | COLOR | |
|---------|-----------------------------|-------|------------------------------|
| | | 0 | 1 |
| 02~15 | 0: WITH BOSS 1: W/O BOSS | 0 | ナチュラル (ページユ) NATURAL (BEIGE) |
| | | 1 | 黒 BLACK |
| | | 2 | 赤 RED |
| | | 3 | 黄 YELLOW |
| | | 4 | 青 BLUE |
| | | 5 | 桃 PINK |
| | | 6 | 緑 GREEN |
| | | 7 | 茶 BROWN |
| | | 8 | 橙 ORANGE |
| 02~05 | 2: WITH BOSS 3: W/O BOSS | 1 | 灰 GRAY |
| | | 4 | 水 PALE BLUE |
| | | 6 | 黄緑 YELLOWISH GREEN |
| 02 | | 3 | 蛍光黄 FLUORESCENCE YELLOW |

| | | | | | |
|-------|---------|------|------|------------------|----|
| 12.15 | ±0.25 | 21 | 25.4 | ±0.25 | 15 |
| 11.4 | | 19.5 | 23.9 | | 14 |
| 10.65 | | 18 | 22.4 | | 13 |
| 9.9 | (±0.20) | 16.5 | 20.9 | (±0.20) | 12 |
| 9.15 | | 15 | 19.4 | | 11 |
| 8.4 | | 13.5 | 17.9 | | 10 |
| 7.65 | | 12 | 16.4 | | 9 |
| 6.9 | | 10.5 | 14.9 | | 8 |
| 6.15 | | 9 | 13.4 | | 7 |
| 5.4 | | 7.5 | 11.9 | | 6 |
| 4.65 | | 6 | 10.4 | | 5 |
| 3.9 | | 4.5 | 8.9 | | 4 |
| 3.15 | 3 | 7.4 | 3 | | |
| 2.4 | 1.5 | 5.9 | 2 | | |
| C | | B | | A | |
| | | | | 極数 CIRCUIT NO | |

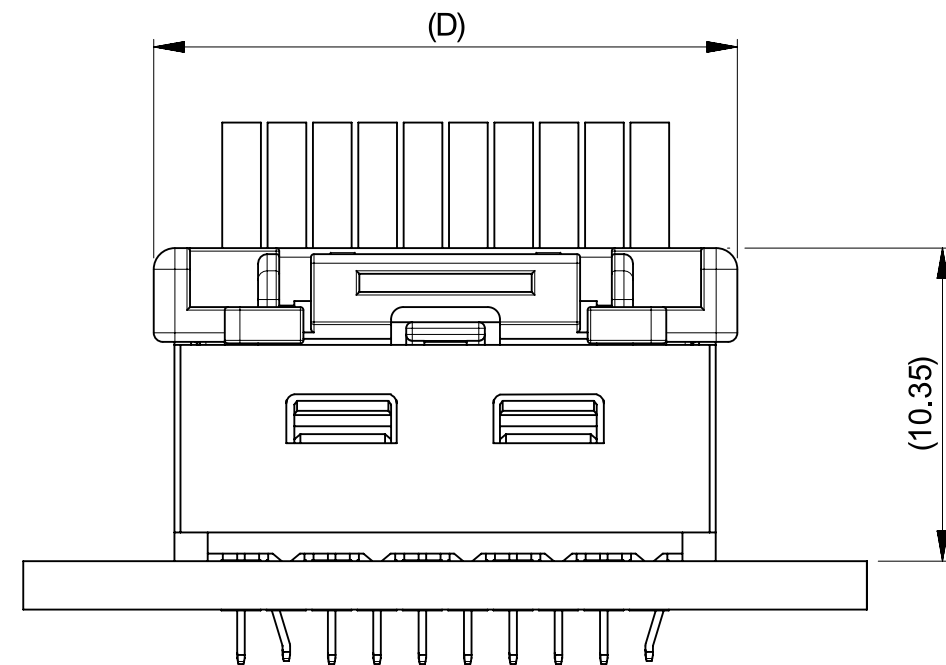
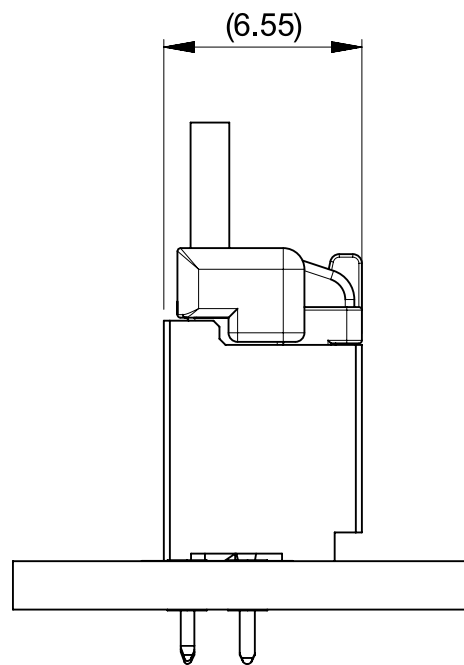
| 番号 NO. | 部品 PART | 材質 MATERIAL |
|--------|----------------|--|
| ① | ハウジング HOUSING | ポリアミド(PA) UL94V-0 色 : SEE CHART POLYAMIDE(PA) UL94V-0 COLOR : SEE CHART |
| ② | ターミナル TERMINAL | 銅合金 COPPER ALLOY |
| | | 錫めっき : 1.0 micro-meter MIN MATTE TIN PLATING ニッケルめっき(下地) : 1.0 micro-meter MIN NICKEL (UNDER PLATING) |

THIS DRAWING CONTAINS INFORMATION THAT IS PROPRIETARY TO MOLEX ELECTRONIC TECHNOLOGIES, LLC AND SHOULD NOT BE USED WITHOUT WRITTEN PERMISSION

| | | | |
|--|---------|-------------------|-----------------|
| DIMENSION UNITS | SCALE | CURRENT REV DESC: | |
| mm | NTS | | |
| GENERAL TOLERANCES (UNLESS SPECIFIED) | | | |
| ANGULAR TOL | ± 3.0 ° | EC NO: 632623 | |
| 4 PLACES | ± 0.2 | DRWN: MIKEDA01 | 2019/06/18 |
| 3 PLACES | ± 0.2 | CHK'D: SAKIYAMA | 2020/02/28 |
| 2 PLACES | ± 0.2 | APPR: KOMURAKAMI | 2020/03/03 |
| 1 PLACE | ± 0.2 | INITIAL REVISION: | |
| 0 PLACES | ± 0.2 | DRWN: MIKEDA01 | 2019/06/18 |
| DRAFT WHERE APPLICABLE MUST REMAIN WITHIN DIMENSIONS | | APPR: KOMURAKAMI | 2020/03/03 |
| THIRD ANGLE PROJECTION | DRAWING | SERIES | MATERIAL NUMBER |
| | A3-SIZE | 503159 | SEE TABLE |
| CUSTOMER | | DOC TYPE | DOC PART |
| GENERAL | | PSD | 000 |
| SHEET NUMBER | | 1 OF 5 | |



基板取付穴推奨寸法 (マウント面)
RECOMMENDED PCB HOLE DIMENSION
(MOUNTING SIDE) (t=1.6)



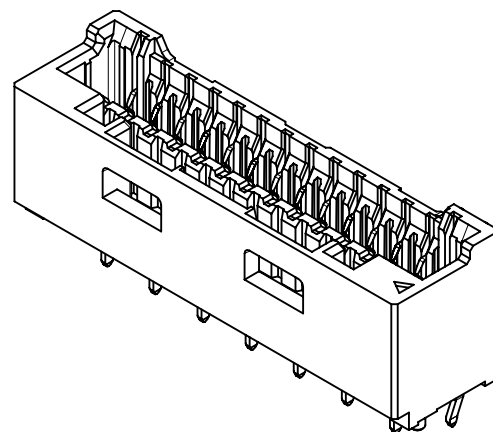
嵌合図
MATED CONNECTORS

適用製品及び各種仕様書
APPLICABLE PRODUCTS AND VARIOUS SPECIFICATIONS

| | PART NUMBER | DOCUMENT NUMBER |
|----------------------------------|-------------|-----------------|
| 梱包仕様書 PACKAGING SPECIFICATION | 503159 **0* | SPK-503159-001 |
| | 503159 **1* | |
| | 503159 **2* | |
| | 503159 **3* | |

| 適用嵌合相手 MATE WITH | HOUSING | TERMINAL | |
|--|---------------|----------|--------|
| | | #24-28 | #28-30 |
| シリーズ番号 SERIES NUMBER | 502578 | 502579 | 503429 |
| 製品仕様書 PRODUCT SPECIFICATION | 5025780002-PS | | |
| アプリケーション仕様書 APPLICATION SPECIFICATION | AS-502578-001 | | |

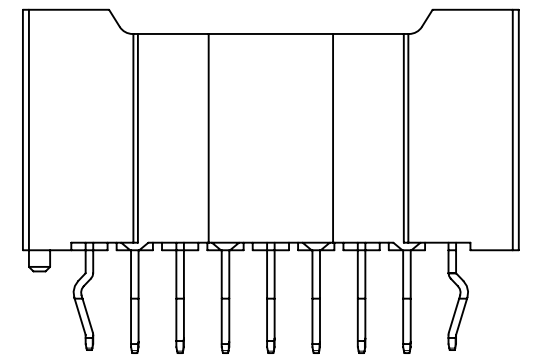
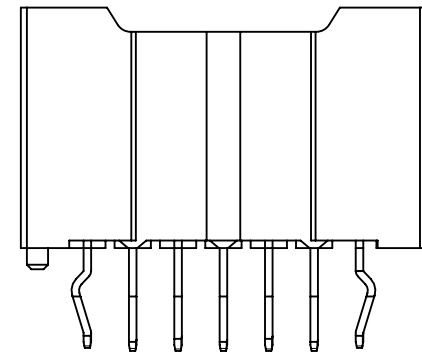
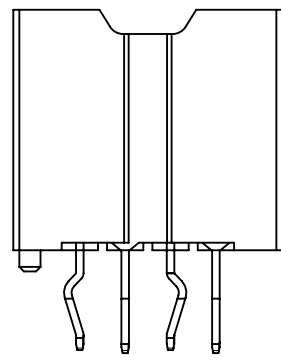
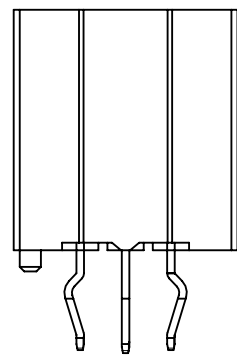
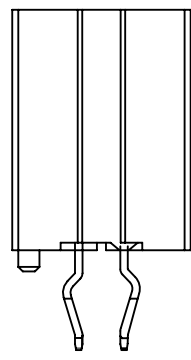
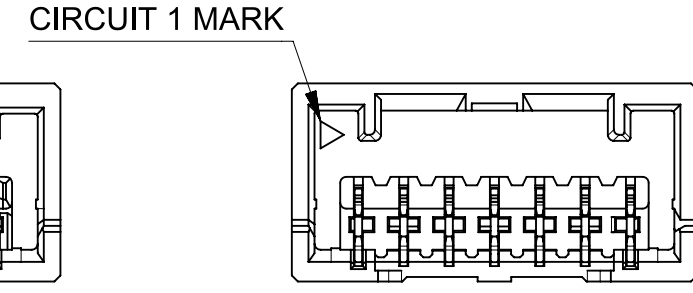
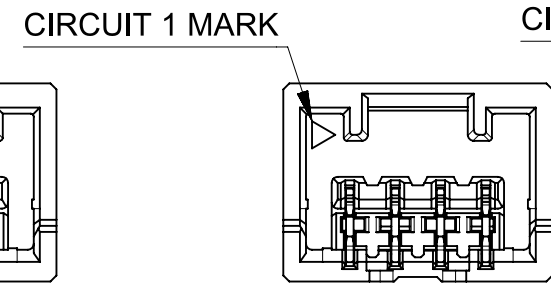
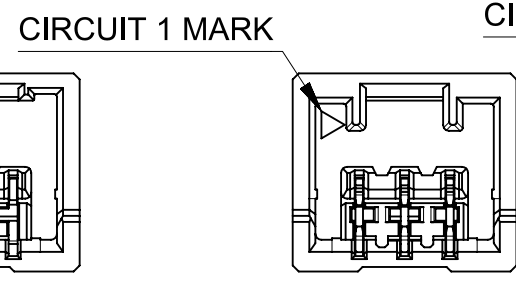
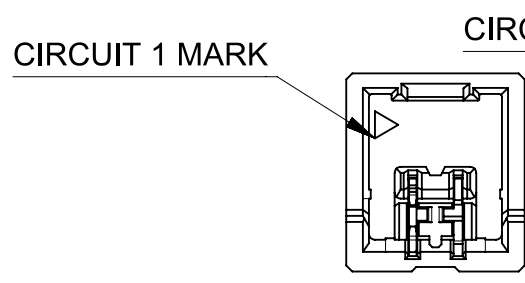
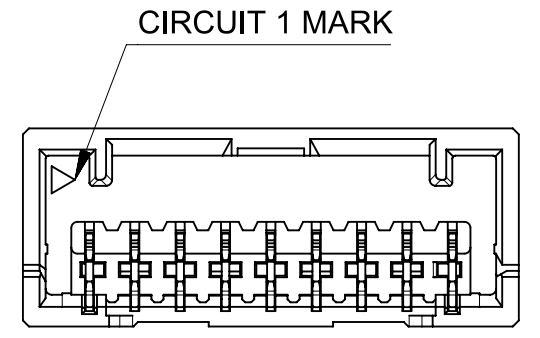
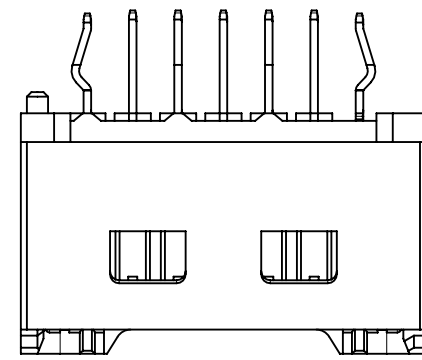
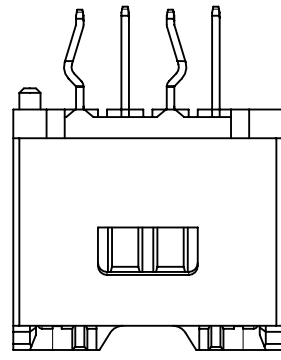
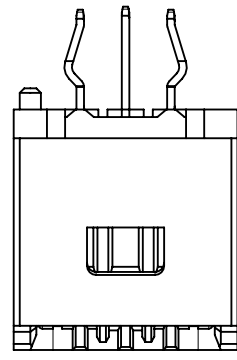
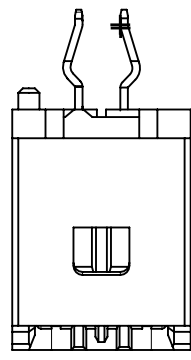
| | |
|------|---------|
| 26.8 | 15 |
| 25.3 | 14 |
| 23.8 | 13 |
| 22.3 | 12 |
| 20.8 | 11 |
| 19.3 | 10 |
| 17.8 | 9 |
| 16.3 | 8 |
| 14.8 | 7 |
| 13.3 | 6 |
| 11.8 | 5 |
| 10.3 | 4 |
| 8.8 | 3 |
| 7.3 | 2 |
| D | CIRCUIT |



THIS DRAWING CONTAINS INFORMATION THAT IS PROPRIETARY TO MOLEX ELECTRONIC TECHNOLOGIES, LLC AND SHOULD NOT BE USED WITHOUT WRITTEN PERMISSION

| | | | | | | | |
|--|------------------------|-----------------------------|--------|--------------------------|----------|--------------|----------|
| DIMENSION UNITS mm | SCALE NTS | CURRENT REV DESC: | | molex | | | |
| GENERAL TOLERANCES (UNLESS SPECIFIED) | | EC NO: 632623 | | | | | |
| ANGULAR TOL | ± 3.0 ° | DRWN: MIKEDA01 2019/06/18 | | PRODUCT CUSTOMER DRAWING | | | |
| 4 PLACES | ± 0.2 | CHK'D: SAKIYAMA 2020/02/28 | | DOCUMENT NUMBER | | | |
| 3 PLACES | ± 0.2 | APPR: KOMURAKAMI 2020/03/03 | | 5031590000-SD | | DOC TYPE | DOC PART |
| 2 PLACES | ± 0.2 | INITIAL REVISION: | | 000 A | | | |
| 1 PLACE | ± 0.2 | DRWN: MIKEDA01 2019/06/18 | | REVISION | | | |
| 0 PLACES | ± 0.2 | APPR: KOMURAKAMI 2020/03/03 | | 5031590000-SD | | | |
| DRAFT WHERE APPLICABLE MUST REMAIN WITHIN DIMENSIONS | THIRD ANGLE PROJECTION | DRAWING | SERIES | MATERIAL NUMBER | CUSTOMER | SHEET NUMBER | |
| | | A3-SIZE | 503159 | SEE TABLE | GENERAL | 2 OF 5 | |

極数別ハウジング形状
HOUSING SHAPE AT EACH CKT



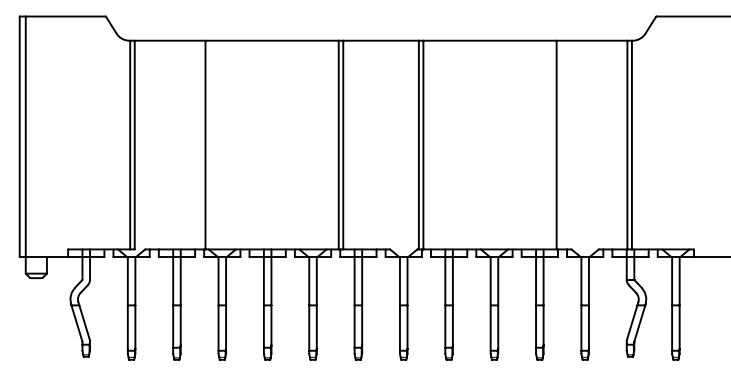
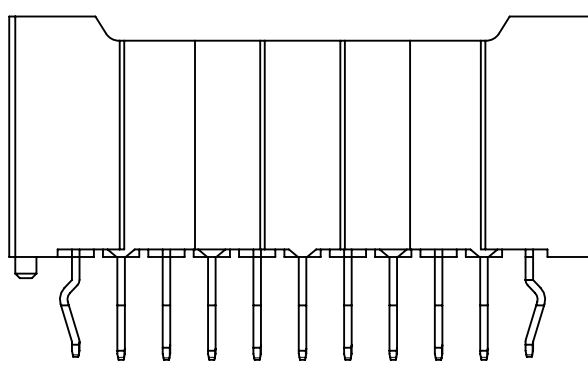
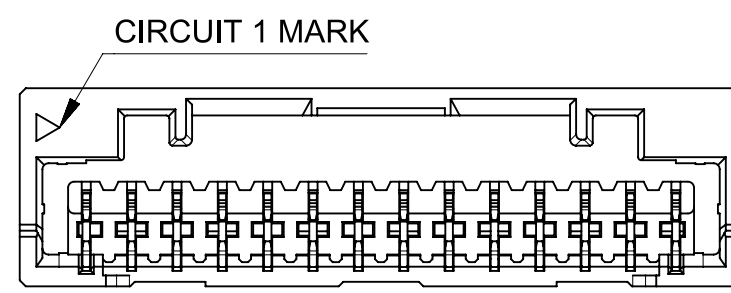
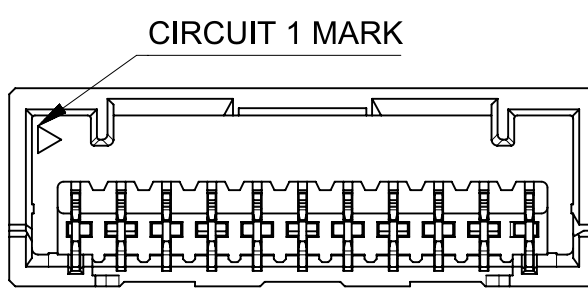
2極
2 CIRCUITS

3極
3 CIRCUITS

4~5極
4-5 CIRCUITS

6~7極
6-7 CIRCUITS

8~10極
8-10 CIRCUITS



11極
11 CIRCUITS

12~15極
12-15 CIRCUITS

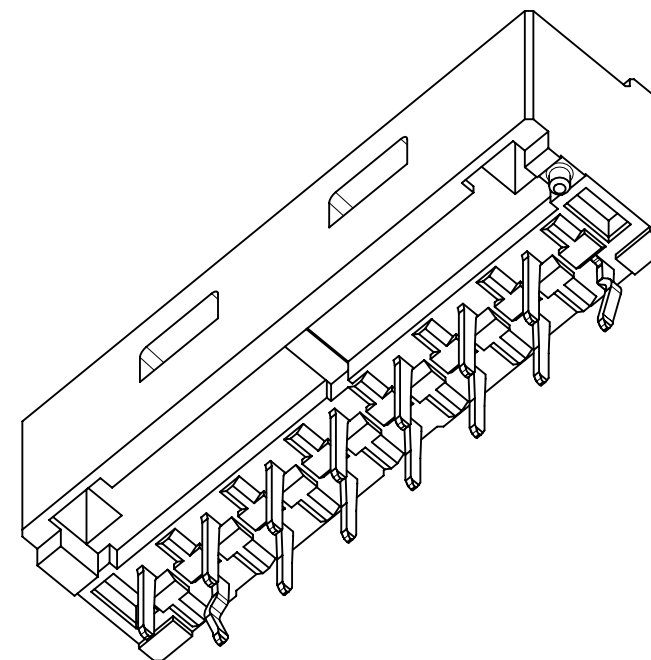
| | | | | | | | | | | | | | | | |
|---|--|--------|--|---|--|------------|--|--------------|--|------------------|--|------------|--|-----------------|--|
| THIS DRAWING CONTAINS INFORMATION THAT IS PROPRIETARY TO MOLEX ELECTRONIC TECHNOLOGIES, LLC AND SHOULD NOT BE USED WITHOUT WRITTEN PERMISSION | | | | | | | | | | | | | | | |
| DIMENSION UNITS | | SCALE | | CURRENT REV DESC: | | | | | | | | | | | |
| mm | | NTS | | molex CLIK-MATE 1.5 SINGLE ROW DIP VT TYPE PRODUCT CUSTOMER DRAWING | | | | | | | | | | | |
| GENERAL TOLERANCES (UNLESS SPECIFIED) | | | | | | | | | | EC NO: 632623 | | 2019/06/18 | | DOCUMENT NUMBER | |
| ANGULAR TOL | | ± 3.0° | | | | | | | | DRWN: MIKEDA01 | | 2020/02/28 | | DOC TYPE | |
| 4 PLACES | | ± 0.2 | | | | | | | | CHK'D: SAKIYAMA | | 2020/03/03 | | DOC PART | |
| 3 PLACES | | ± 0.2 | | | | | | | | APPR: KOMURAKAMI | | 2020/03/03 | | REVISION | |
| 2 PLACES | | ± 0.2 | | INITIAL REVISION: | | | | | | | | | | | |
| 1 PLACE | | ± 0.2 | | DRWN: MIKEDA01 | | 2019/06/18 | | 503159000-SD | | | | | | | |
| 0 PLACES | | ± 0.2 | | APPR: KOMURAKAMI | | 2020/03/03 | | PSD 000 A | | | | | | | |
| DRAFT WHERE APPLICABLE MUST REMAIN WITHIN DIMENSIONS | | | | THIRD ANGLE PROJECTION | | DRAWING | | SERIES | | | | | | | |
| | | | | | | A3-SIZE | | 503159 | | | | | | | |
| | | | | MATERIAL NUMBER | | CUSTOMER | | SHEET NUMBER | | | | | | | |
| | | | | SEE TABLE | | GENERAL | | 3 OF 5 | | | | | | | |

製品一覧

PRODUCTS LIST

| ボス有 WITH BOSS | | | | | | | | | | BOSS |
|--------------------|-------------|-------------|-------------|-------------|-------------|-------------|-------------|-------------|-------------------------------|------------------|
| 紫 VIOLET | 橙 ORANGE | 茶 BROWN | 緑 GREEN | 桃 PINK | 青 BLUE | 黄 YELLOW | 赤 RED | 黒 BLACK | ナチュラル(ベージュ) NATURAL(BEIGE) | HOUSING COLOR |
| 503159 1509 | 503159 1508 | 503159 1507 | 503159 1506 | 503159 1505 | 503159 1504 | 503159 1503 | 503159 1502 | 503159 1501 | 503159 1500 | 15 |
| 503159 1409 | 503159 1408 | 503159 1407 | 503159 1406 | 503159 1405 | 503159 1404 | 503159 1403 | 503159 1402 | 503159 1401 | 503159 1400 | 14 |
| 503159 1309 | 503159 1308 | 503159 1307 | 503159 1306 | 503159 1305 | 503159 1304 | 503159 1303 | 503159 1302 | 503159 1301 | 503159 1300 | 13 |
| 503159 1209 | 503159 1208 | 503159 1207 | 503159 1206 | 503159 1205 | 503159 1204 | 503159 1203 | 503159 1202 | 503159 1201 | 503159 1200 | 12 |
| 503159 1109 | 503159 1108 | 503159 1107 | 503159 1106 | 503159 1105 | 503159 1104 | 503159 1103 | 503159 1102 | 503159 1101 | 503159 1100 | 11 |
| 503159 1009 | 503159 1008 | 503159 1007 | 503159 1006 | 503159 1005 | 503159 1004 | 503159 1003 | 503159 1002 | 503159 1001 | 503159 1000 | 10 |
| 503159 0909 | 503159 0908 | 503159 0907 | 503159 0906 | 503159 0905 | 503159 0904 | 503159 0903 | 503159 0902 | 503159 0901 | 503159 0900 | 9 |
| 503159 0809 | 503159 0808 | 503159 0807 | 503159 0806 | 503159 0805 | 503159 0804 | 503159 0803 | 503159 0802 | 503159 0801 | 503159 0800 | 8 |
| 503159 0709 | 503159 0708 | 503159 0707 | 503159 0706 | 503159 0705 | 503159 0704 | 503159 0703 | 503159 0702 | 503159 0701 | 503159 0700 | 7 |
| 503159 0609 | 503159 0608 | 503159 0607 | 503159 0606 | 503159 0605 | 503159 0604 | 503159 0603 | 503159 0602 | 503159 0601 | 503159 0600 | 6 |
| 503159 0509 | 503159 0508 | 503159 0507 | 503159 0506 | 503159 0505 | 503159 0504 | 503159 0503 | 503159 0502 | 503159 0501 | 503159 0500 | 5 |
| 503159 0409 | 503159 0408 | 503159 0407 | 503159 0406 | 503159 0405 | 503159 0404 | 503159 0403 | 503159 0402 | 503159 0401 | 503159 0400 | 4 |
| 503159 0309 | 503159 0308 | 503159 0307 | 503159 0306 | 503159 0305 | 503159 0304 | 503159 0303 | 503159 0302 | 503159 0301 | 503159 0300 | 3 |
| 503159 0209 | 503159 0208 | 503159 0207 | 503159 0206 | 503159 0205 | 503159 0204 | 503159 0203 | 503159 0202 | 503159 0201 | 503159 0200 | 2 |
| オーダー番号 ORDER NO | | | | | | | | | | 極数 CIRCUIT NO |

| ボス有 WITH BOSS | | | | BOSS |
|-----------------------|----------------|----------------------------|-------------|------------------|
| 黄緑 YELLOWISH GREEN | 水 PALE BLUE | 蛍光黄 FLUORESCENCE YELLOW | 灰 GRAY | HOUSING COLOR |
| - | - | - | - | 15 |
| - | - | - | - | 14 |
| - | - | - | - | 13 |
| - | - | - | - | 12 |
| - | - | - | - | 11 |
| - | - | - | - | 10 |
| - | - | - | - | 9 |
| - | - | - | - | 8 |
| - | - | - | - | 7 |
| - | - | - | - | 6 |
| 503159 0526 | 503159 0524 | - | 503159 0521 | 5 |
| 503159 0426 | 503159 0424 | - | 503159 0421 | 4 |
| 503159 0326 | 503159 0324 | - | 503159 0321 | 3 |
| 503159 0226 | 503159 0224 | 503159 0223 | 503159 0221 | 2 |
| オーダー番号 ORDER NO | | | | 極数 CIRCUIT NO |



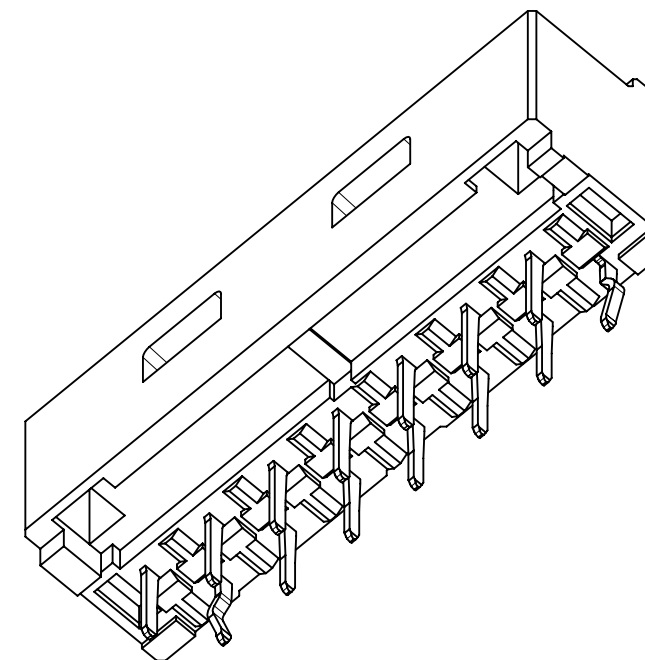
| | | | | | | | | | |
|---|--|----------------|--|------------------------|--|------------|--|---|--|
| THIS DRAWING CONTAINS INFORMATION THAT IS PROPRIETARY TO MOLEX ELECTRONIC TECHNOLOGIES, LLC AND SHOULD NOT BE USED WITHOUT WRITTEN PERMISSION | | | | | | | | | |
| DIMENSION UNITS mm | | SCALE NTS | | CURRENT REV DESC: | | | | | |
| GENERAL TOLERANCES (UNLESS SPECIFIED) | | | | EC NO: 632623 | | | | | |
| ANGULAR TOL ± 3.0° | | 4 PLACES ± 0.2 | | DRWN: MIKEDA01 | | 2019/06/18 | | CLIK-MATE 1.5 SINGLE ROW DIP VT TYPE | |
| 3 PLACES ± 0.2 | | 2 PLACES ± 0.2 | | CHK'D: SAKIYAMA | | 2020/02/28 | | PRODUCT CUSTOMER DRAWING | |
| 1 PLACE ± 0.2 | | 0 PLACES ± 0.2 | | APPR: KOMURAKAMI | | 2020/03/03 | | | |
| DRAFT WHERE APPLICABLE MUST REMAIN WITHIN DIMENSIONS | | | | THIRD ANGLE PROJECTION | | DRAWING | | SERIES | |
| A3-SIZE | | 503159 | | MATERIAL NUMBER | | CUSTOMER | | SHEET NUMBER | |
| SEE TABLE | | GENERAL | | 5031590000-SD | | PSD 000 | | A | |
| 4 OF 5 | | | | | | | | | |

製品一覧

PRODUCTS LIST

| ボス無 WITHOUT BOSS | | | | | | | | | | BOSS |
|--------------------|-------------|-------------|-------------|-------------|-------------|-------------|-------------|-------------|-------------------------------|------------------|
| 紫 VIOLET | 橙 ORANGE | 茶 BROWN | 緑 GREEN | 桃 PINK | 青 BLUE | 黄 YELLOW | 赤 RED | 黒 BLACK | ナチュラル(ベージュ) NATURAL(BEIGE) | HOUSING COLOR |
| 503159 1519 | 503159 1518 | 503159 1517 | 503159 1516 | 503159 1515 | 503159 1514 | 503159 1513 | 503159 1512 | 503159 1511 | 503159 1510 | 15 |
| 503159 1419 | 503159 1418 | 503159 1417 | 503159 1416 | 503159 1415 | 503159 1414 | 503159 1413 | 503159 1412 | 503159 1411 | 503159 1410 | 14 |
| 503159 1319 | 503159 1318 | 503159 1317 | 503159 1316 | 503159 1315 | 503159 1314 | 503159 1313 | 503159 1312 | 503159 1311 | 503159 1310 | 13 |
| 503159 1219 | 503159 1218 | 503159 1217 | 503159 1216 | 503159 1215 | 503159 1214 | 503159 1213 | 503159 1212 | 503159 1211 | 503159 1210 | 12 |
| 503159 1119 | 503159 1118 | 503159 1117 | 503159 1116 | 503159 1115 | 503159 1114 | 503159 1113 | 503159 1112 | 503159 1111 | 503159 1110 | 11 |
| 503159 1019 | 503159 1018 | 503159 1017 | 503159 1016 | 503159 1015 | 503159 1014 | 503159 1013 | 503159 1012 | 503159 1011 | 503159 1010 | 10 |
| 503159 0919 | 503159 0918 | 503159 0917 | 503159 0916 | 503159 0915 | 503159 0914 | 503159 0913 | 503159 0912 | 503159 0911 | 503159 0910 | 9 |
| 503159 0819 | 503159 0818 | 503159 0817 | 503159 0816 | 503159 0815 | 503159 0814 | 503159 0813 | 503159 0812 | 503159 0811 | 503159 0810 | 8 |
| 503159 0719 | 503159 0718 | 503159 0717 | 503159 0716 | 503159 0715 | 503159 0714 | 503159 0713 | 503159 0712 | 503159 0711 | 503159 0710 | 7 |
| 503159 0619 | 503159 0618 | 503159 0617 | 503159 0616 | 503159 0615 | 503159 0614 | 503159 0613 | 503159 0612 | 503159 0611 | 503159 0610 | 6 |
| 503159 0519 | 503159 0518 | 503159 0517 | 503159 0516 | 503159 0515 | 503159 0514 | 503159 0513 | 503159 0512 | 503159 0511 | 503159 0510 | 5 |
| 503159 0419 | 503159 0418 | 503159 0417 | 503159 0416 | 503159 0415 | 503159 0414 | 503159 0413 | 503159 0412 | 503159 0411 | 503159 0410 | 4 |
| 503159 0319 | 503159 0318 | 503159 0317 | 503159 0316 | 503159 0315 | 503159 0314 | 503159 0313 | 503159 0312 | 503159 0311 | 503159 0310 | 3 |
| 503159 0219 | 503159 0218 | 503159 0217 | 503159 0216 | 503159 0215 | 503159 0214 | 503159 0213 | 503159 0212 | 503159 0211 | 503159 0210 | 2 |
| オーダー番号 ORDER NO | | | | | | | | | | 極数 CIRCUIT NO |

| ボス無 WITHOUT BOSS | | | | BOSS |
|-----------------------|----------------|----------------------------|-------------|------------------|
| 黄緑 YELLOWISH GREEN | 水 PALE BLUE | 蛍光黄 FLUORESCENCE YELLOW | 灰 GRAY | HOUSING COLOR |
| - | - | - | - | 15 |
| - | - | - | - | 14 |
| - | - | - | - | 13 |
| - | - | - | - | 12 |
| - | - | - | - | 11 |
| - | - | - | - | 10 |
| - | - | - | - | 9 |
| - | - | - | - | 8 |
| - | - | - | - | 7 |
| - | - | - | - | 6 |
| 503159 0536 | 503159 0534 | - | 503159 0531 | 5 |
| 503159 0436 | 503159 0434 | - | 503159 0431 | 4 |
| 503159 0336 | 503159 0334 | - | 503159 0331 | 3 |
| 503159 0236 | 503159 0234 | 503159 0233 | 503159 0231 | 2 |
| オーダー番号 ORDER NO | | | | 極数 CIRCUIT NO |



| | | | | | | | | | |
|---|--|----------------|--|------------------------|--|------------|--|---|--|
| THIS DRAWING CONTAINS INFORMATION THAT IS PROPRIETARY TO MOLEX ELECTRONIC TECHNOLOGIES, LLC AND SHOULD NOT BE USED WITHOUT WRITTEN PERMISSION | | | | | | | | | |
| DIMENSION UNITS mm | | SCALE NTS | | CURRENT REV DESC: | | | | | |
| GENERAL TOLERANCES (UNLESS SPECIFIED) | | | | EC NO: 632623 | | | | | |
| ANGULAR TOL ± 3.0° | | 4 PLACES ± 0.2 | | DRWN: MIKEDA01 | | 2019/06/18 | | CLIK-MATE 1.5 SINGLE ROW DIP VT TYPE | |
| 3 PLACES ± 0.2 | | 2 PLACES ± 0.2 | | CHK'D: SAKIYAMA | | 2020/02/28 | | PRODUCT CUSTOMER DRAWING | |
| 1 PLACE ± 0.2 | | 0 PLACES ± 0.2 | | APPR: KOMURAKAMI | | 2020/03/03 | | | |
| DRAFT WHERE APPLICABLE MUST REMAIN WITHIN DIMENSIONS | | | | THIRD ANGLE PROJECTION | | DRAWING | | SERIES | |
| A3-SIZE | | 503159 | | MATERIAL NUMBER | | CUSTOMER | | SHEET NUMBER | |
| SEE TABLE | | GENERAL | | 5031590000-SD | | PSD 000 | | A | |