

4

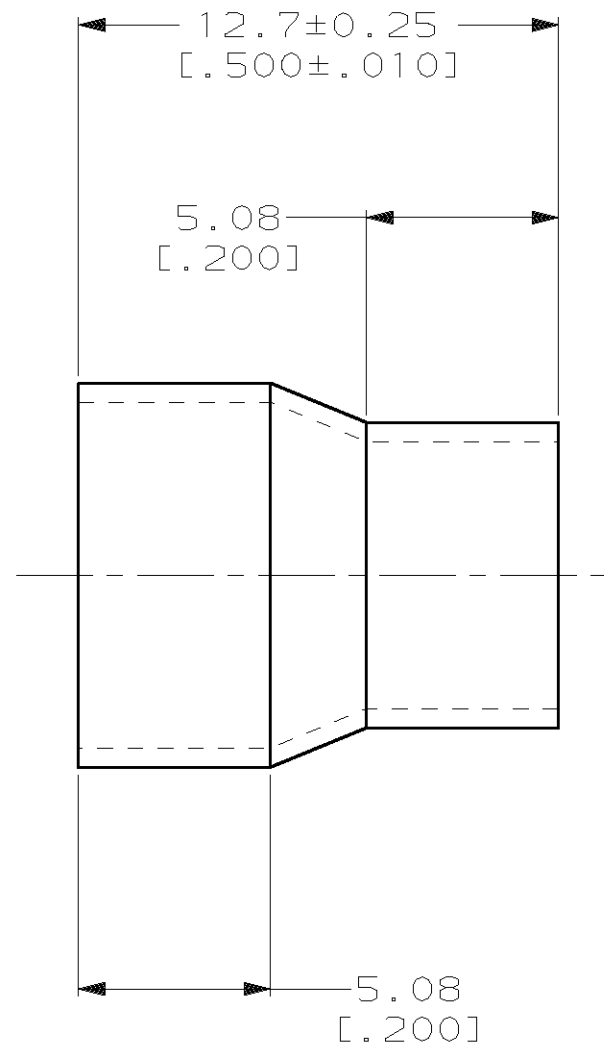
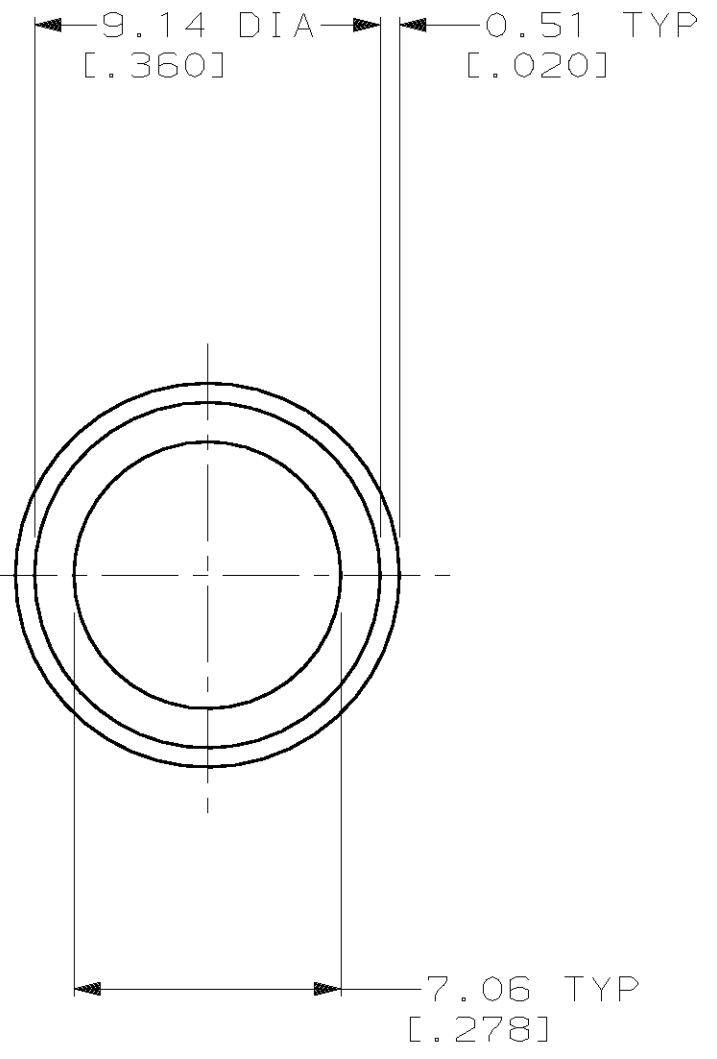
3

2

1

THIS DRAWING IS UNPUBLISHED. RELEASED FOR PUBLICATION, 19 .
 © COPYRIGHT 19 BY AMP INCORPORATED. ALL RIGHTS RESERVED.

LOC	DIST	REVISIONS					
		P	LTR	DESCRIPTION	DATE	DWN	APVD
BD	50		A	REVISED PER AF0372	22 JUL 84	SS	-
			B	RELEASED PER P.A.R.	29 AUG 84	SS	-
			C	REV PER AF4894	29 JUN 87	DH	-
			D	REV PER EC 0G40-180-98	07 APR 99	DH	JS



520440-1
PART NUMBER

1. INSULATION RANGE:
6.91-5.81 [0.272-0.229]

THIS DRAWING IS A CONTROLLED DOCUMENT.		DWN S. SCHAFFHAUSER 02 APR 84	AMP AMP Incorporated Harrisburg, PA 17105-3608												
DIMENSIONS: mm [INCHES]		CHK G. YETTER 02 APR 84													
TOLERANCES UNLESS OTHERWISE SPECIFIED:		APVD C. ROHDE 30 AUG 84	NAME FERRULE, STYLE A, 16 POSITION, SDL												
<table border="1"> <tr><td>0 PLC</td><td>±-</td></tr> <tr><td>1 PLC</td><td>±-</td></tr> <tr><td>2 PLC</td><td>±0.38 [.015]</td></tr> <tr><td>3 PLC</td><td>±-</td></tr> <tr><td>4 PLC</td><td>±-</td></tr> <tr><td>ANGLES</td><td>±-</td></tr> </table>		0 PLC	±-	1 PLC	±-	2 PLC	±0.38 [.015]	3 PLC	±-	4 PLC	±-	ANGLES	±-	PRODUCT SPEC -	SIZE A3
0 PLC	±-														
1 PLC	±-														
2 PLC	±0.38 [.015]														
3 PLC	±-														
4 PLC	±-														
ANGLES	±-														
MATERIAL COPPER	FINISH BRIGHT TIN	APPLICATION SPEC -	CAGE CODE 00779												
		WEIGHT -	DRAWING NO C- 520440												
		CUSTOMER DRAWING	RESTRICTED TO -												
		SCALE 5:1	SHEET 1 OF 1												
			REV D												