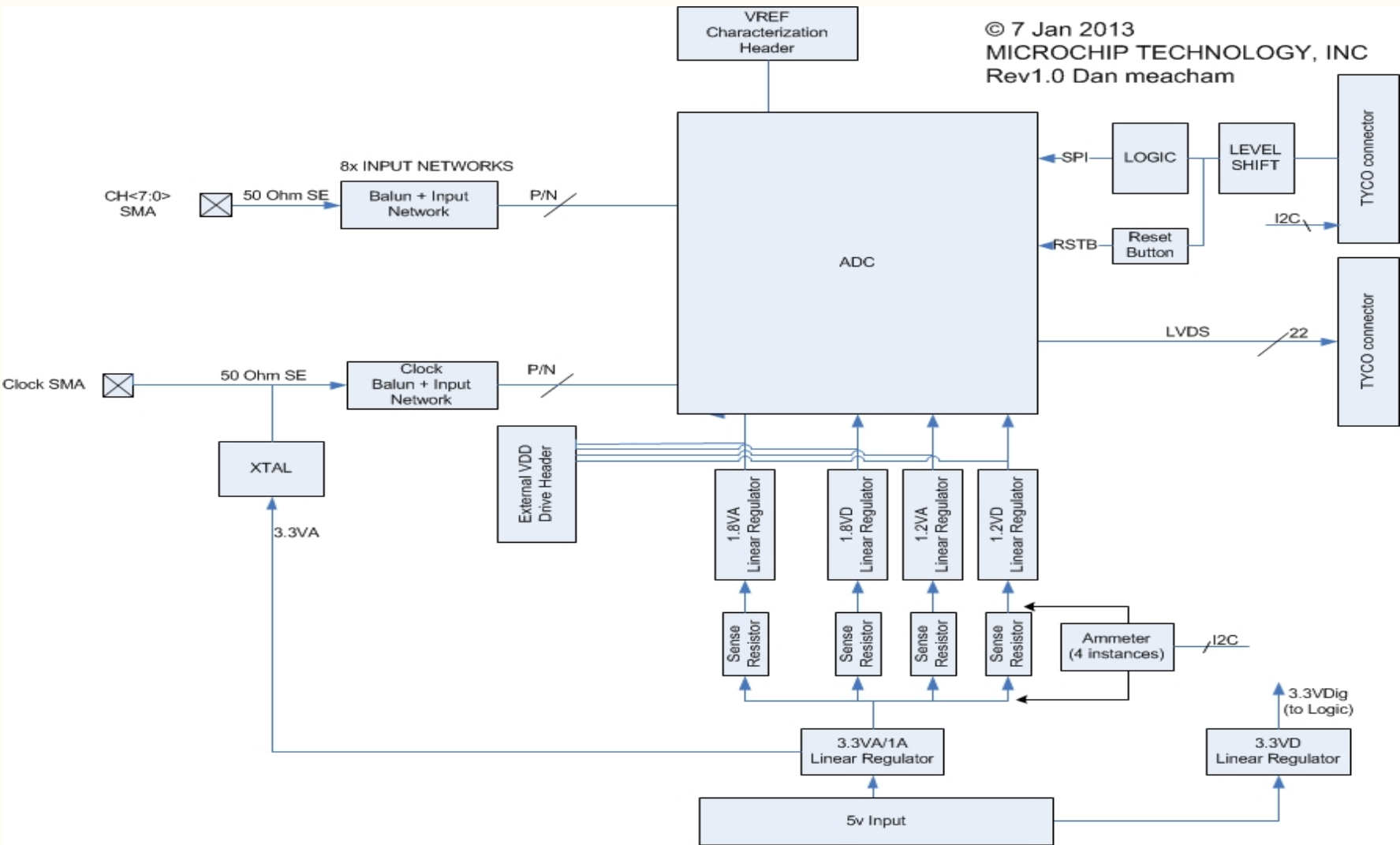


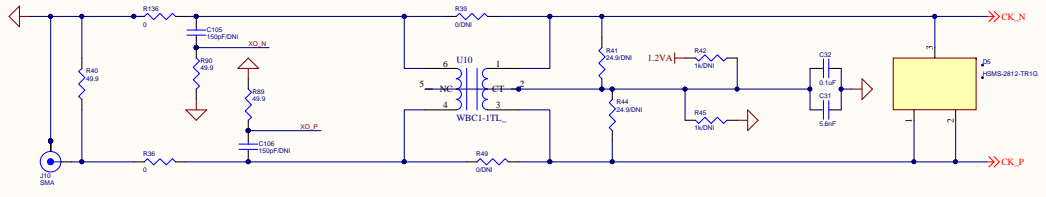
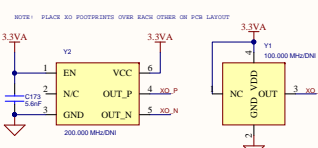
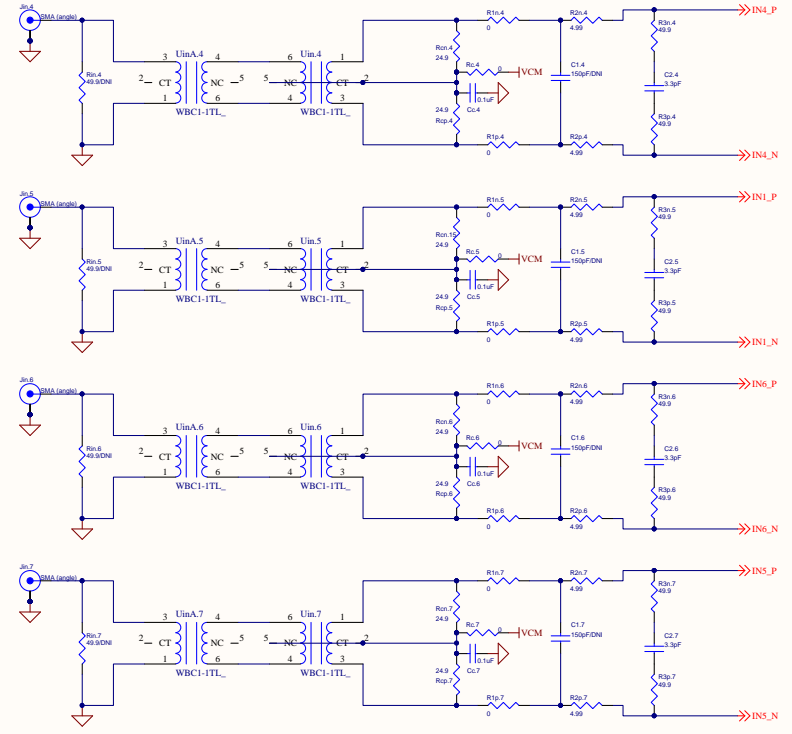
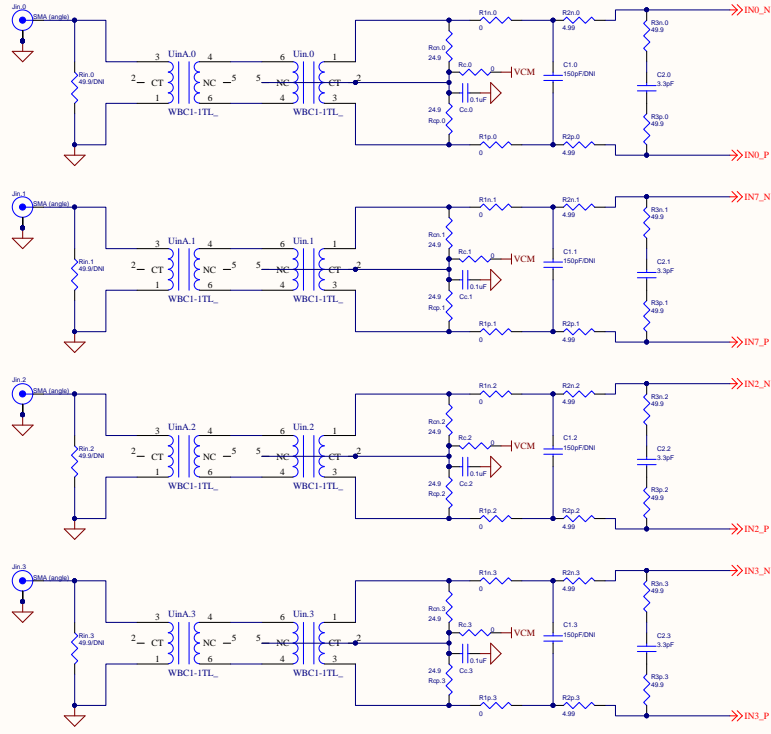


© 7 Jan 2013
 MICROCHIP TECHNOLOGY, INC
 Rev1.0 Dan meacham

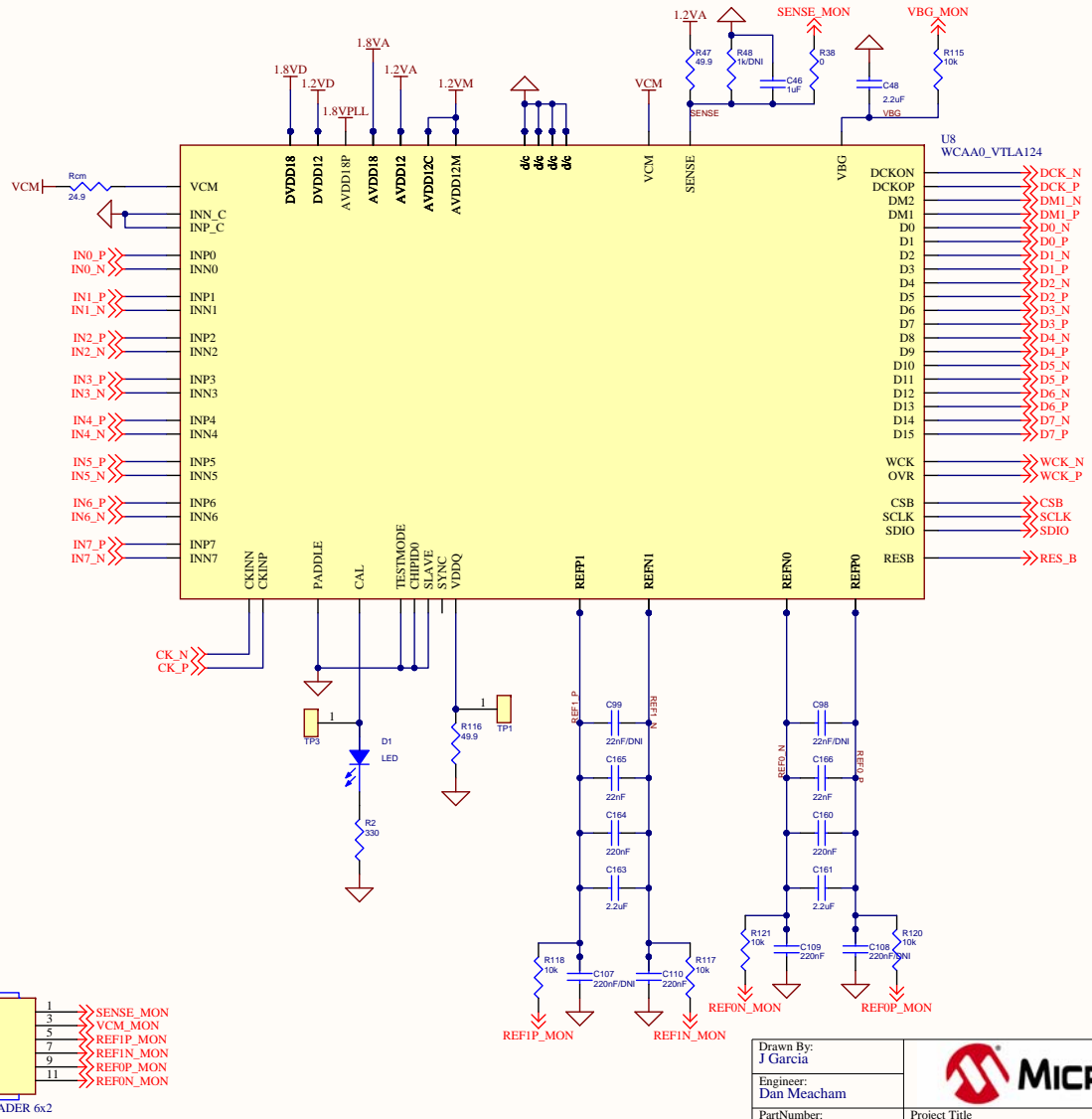
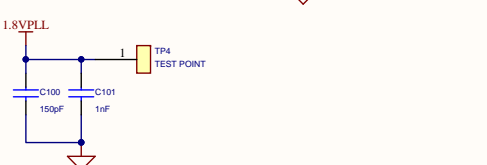
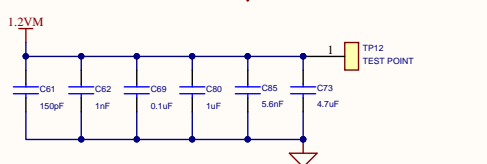
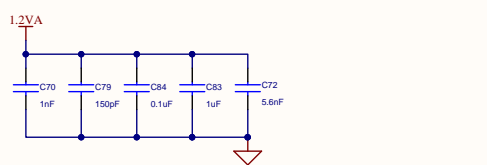
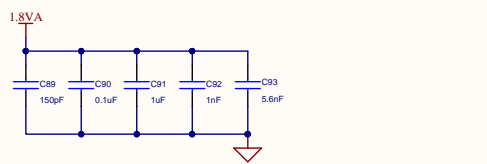
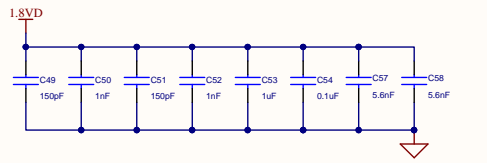
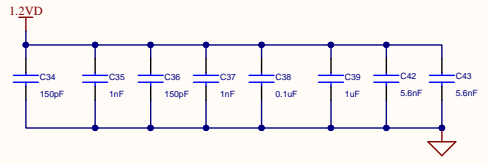


Drawn By: J Garcia		
Engineer: Dan Meacham		
PartNumber: ADM00619	Project Title MCP37xxx 12-Bit ADC VTLA Eval Bd.	
Sheet Title Block Diagram Circuit Schematic		
Size B	Sch #: 03-00619	Date: 10/30/2014 10:30:29 AM
Revision: 1	Sheet 1 of 6	
File: 1- ADM00619 Block Diagram.SchDoc		
		 <small>Altium.com</small>



Drawn By: J Garcia	
Engineer: Dan McEacham	
PartNumber: ADM00619	Project Title: MCP37xxx 12-Bit ADC VTLA Eval Bd.
Sheet Title: Input and Clock Net Circuit Schematic	
Size: C	Sch #: ADM00619
Revision: 1	Date: 10/30/2014 10:30:29 AM
File: 2 - INPUT AND CLOCK NET.SchDoc	Sheet: 2 of 6

NOTE: PLACE ALL DECOUPLING CAPS CLOSE TO CHIP. PLACE (150pF 1nF) PAIRS NEAR EACH PIN. PLACE EACH (5.6nF 10uF) PAIR NEAR VOLTAGE BANK.



Drawn By: J Garcia		
Engineer: Dan Meacham		
PartNumber: ADM00619		Project Title MCP37xxx 12-Bit ADC VTLA Eval Bd.
Sheet Title WCAA0_VTLA24 Circuit Schematic		
Size B	Sch #: 03-00619	Date: 10/30/2014 10:30:29 AM
	Revision: 1	Sheet 3 of 6
File: 3 - WCAA0_VTLA124.SchDoc		



A

B

C

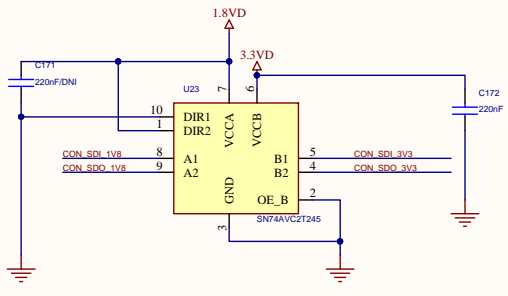
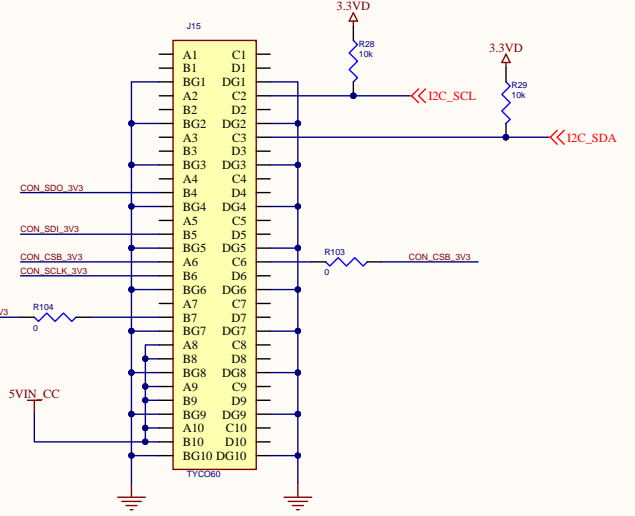
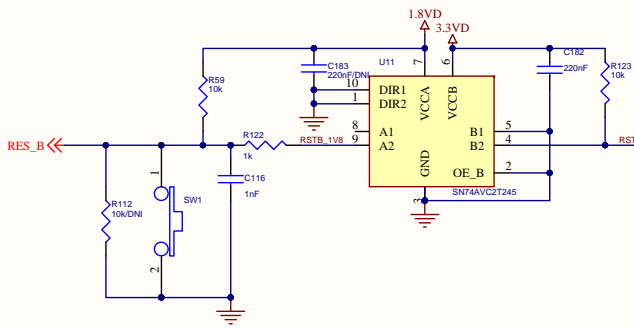
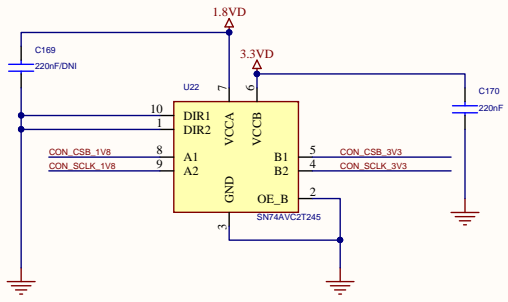
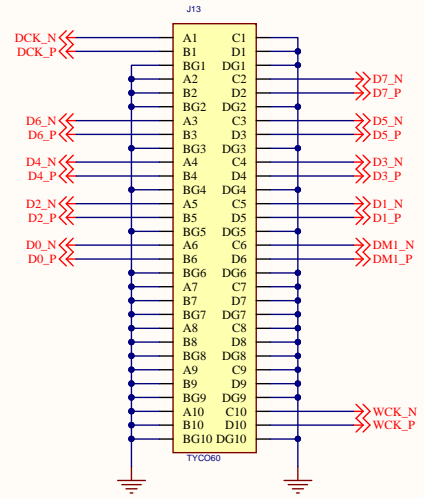
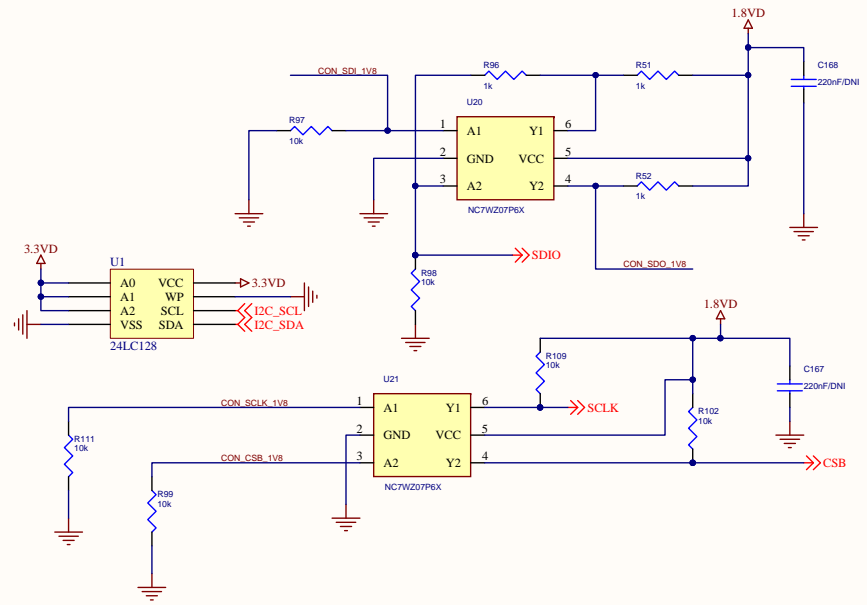
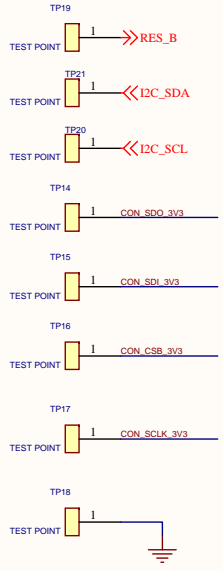
D

A

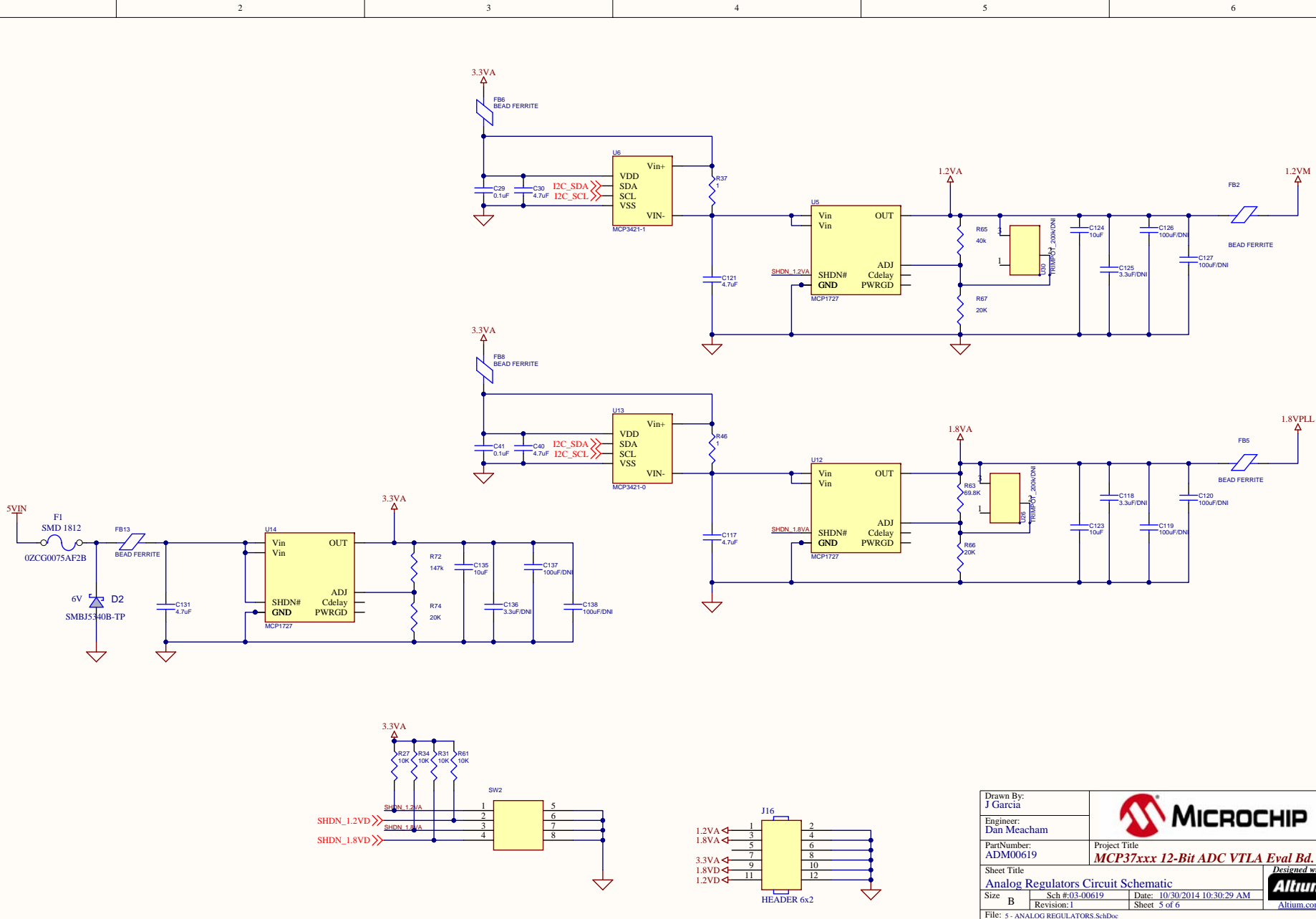
B

C

D

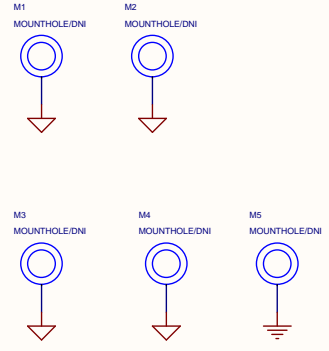
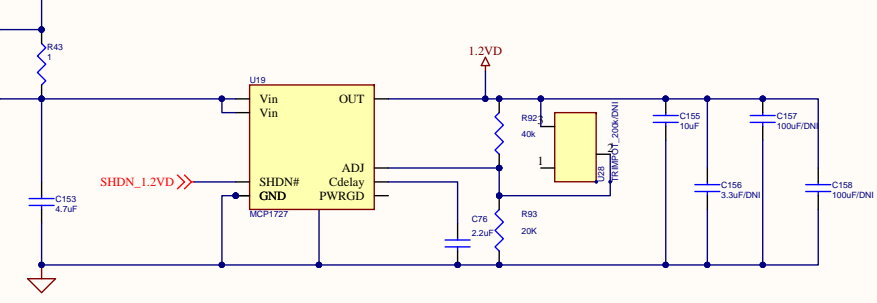
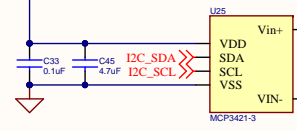
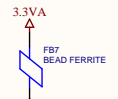
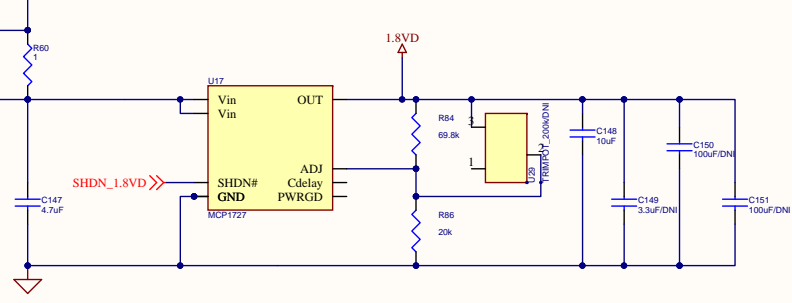
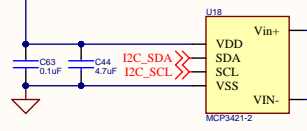
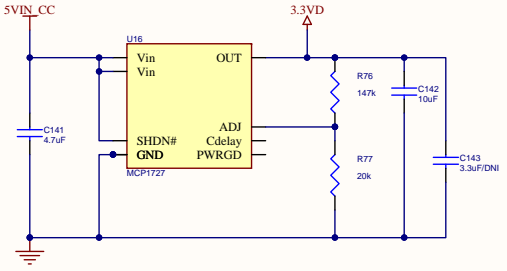
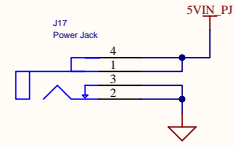


Drawn By: J Garcia		
Engineer: Dan Meacham		
PartNumber: ADM00619		Project Title: MCP37xxx 12-Bit ADC VTLA Eval Bd.
Sheet Title: Connectors Circuit Schematic		
Size: B	Sch #:03-00619	Date: 10/30/2014 10:30:29 AM
Revision: 1		Sheet 4 of 6
File: 4 - CONNECTORS.SchDoc		Altium.com

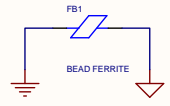
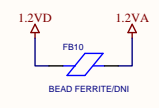
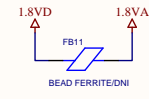
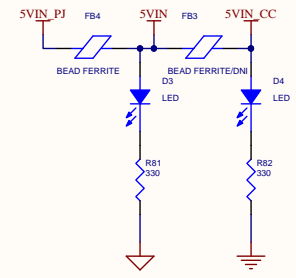


Drawn By: J Garcia		
Engineer: Dan Meacham		
PartNumber: ADM00619		Project Title MCP37xxx 12-Bit ADC VTLA Eval Bd.
Sheet Title Analog Regulators Circuit Schematic		
Size B	Sch #: 03-00619	Date: 10/30/2014 10:30:29 AM
Revision: 1		Sheet 5 of 6
File: 5 - ANALOG REGULATORS.SchDoc		

Altium.com



NOTE: PCB MAY BE POWERED FROM EXTERNAL POWER JACK OR CAPTURE CARD INTERFACE



Drawn By: J Garcia		
Engineer: Dan Meacham		
PartNumber: ADM00619		Project Title: MCP37xxx 12-Bit ADC VTLA Eval Bd.
Sheet Title: Digital Regulators Circuit Schematic		
Size: B	Sch #: #03-00619	Date: 10/30/2014 10:30:30 AM
Revision: 1	Revision: 1	Sheet: 6 of 6
File: 6 - DIGITAL REGULATORS.SchDoc		

