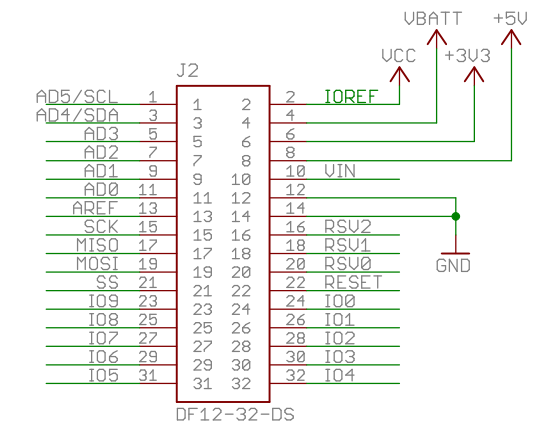


External Connections

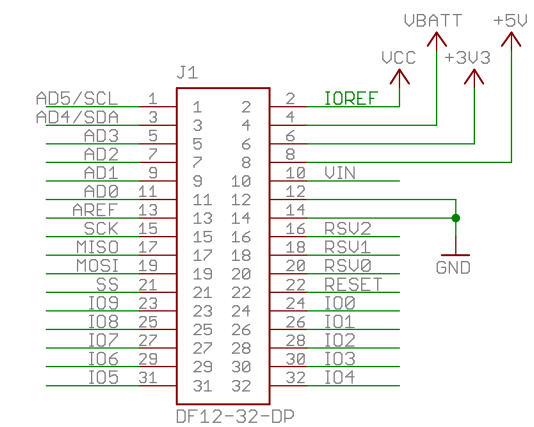
J3	
RSU1	32
RSU0	31
RESET	30
IO0	29
IO1	28
IO2	27
IO3	26
IO4	25
IO5	24
IO6	23
IO7	22
IO8	21
IO9	20
SS	19
MOSI	18
MISO	17
SCK	16
AREF	15
AD0	14
AD1	13
AD2	12
AD3	11
AD4/SDA	10
AD5/SCL	9
UCC	8
UBATT	7
+3V3	6
+5V	5
VIN	4
GND	3
GND	2
RSU2	1

FH19SC-32S-0.5SH

TinyShield Expansion - Bottom



TinyShield Expansion - Top



Released under the Creative Commons Attribution Share-Alike 3.0 License
<http://creativecommons.org/licenses/by-sa/3.0>

Original Arduino Uno Design by Team Arduino
 LilyPad Arduino Design by Leah Buechley and Sparkfun Electronics
 TinyDuino, TinyLily and TinyShield Designs by TinyCircuits

		http://www.TinyCircuits.com
TITLE: TinyShield - Ribbon Cable		
Document Number: AS-SCH-ASD2021	REV: 1	
Date: 3/6/2016 5:22:49 PM	Sheet: 1/1	