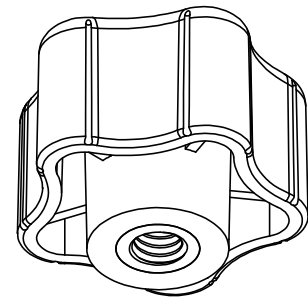
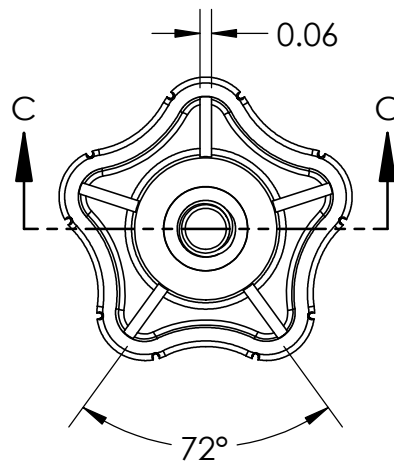
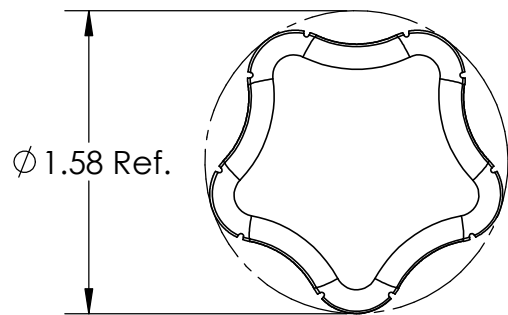


SECTION C-C



FOR CUSTOMER APPROVAL ONLY		REV	BY	DATE	COMMENT	DIMENSIONS ARE IN INCHES TOLERANCES FRACTIONAL $\pm$ TWO PLACE DECIMAL $\pm 0.03$ THREE PLACE DECIMAL $\pm 0.010$ UNLESS OTHERWISE NOTED	DRAWN	VRR	INNOVATIVE COMPONENTS		
NAME:		0	DHP	06/28/07	RELEASE DATE		APPROVED	LQR		PART NAME	
TITLE:		1	JMR	10/08/07	Changed Hub Height from 0.18 to 0.25	ROHS COMPLIANT	DATE	04/20/2020	1.57" Ergo Star Knob, 5/16-18 Blind, Steel, Zinc & Yell Ins.		
DATE:		2	HOB	04/20/20	Adjusted Dimensions		INSERT MATERIAL	Steel		PART NUMBER	KN5C----R3IB-22
SIGNATURE:		<b>PROPRIETARY AND CONFIDENTIAL</b>			THE INFORMATION CONTAINED IN THIS DRAWING IS THE SOLE PROPERTY OF INNOVATIVE COMPONENTS. ANY REPRODUCTION IN PART OR AS A WHOLE WITHOUT THE WRITTEN PERMISSION OF INNOVATIVE COMPONENTS IS PROHIBITED.	INSERT PART NUMBER	NR5C0437750-Y2R	INSERT FINISH	Trivalent Zinc and Yellow	DRAWING NUMBER	KN5C---R3IB-22-R2
						SCALE	1:1				



PLASTIC KNOBS / CONTROL KNOBS / HANDLES / QUICK RELEASE PINS & BALL LOCK PINS  
SPRING LOADED PINS & PLUNGERS / WIRE ROPE LANYARDS / THREAD IDENTIFIERS