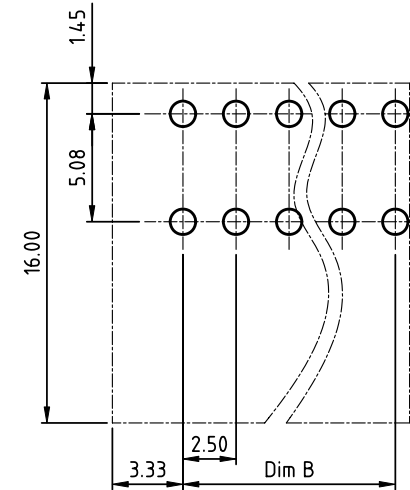
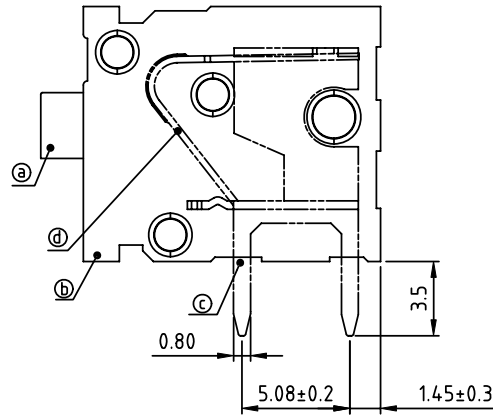
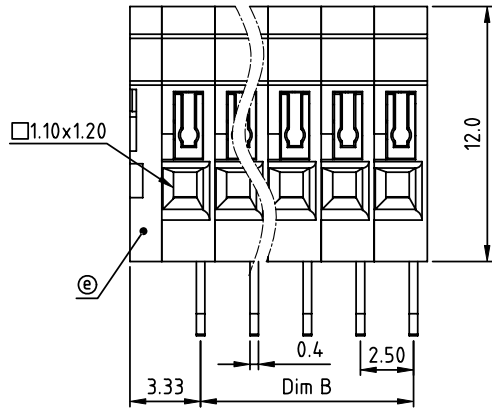
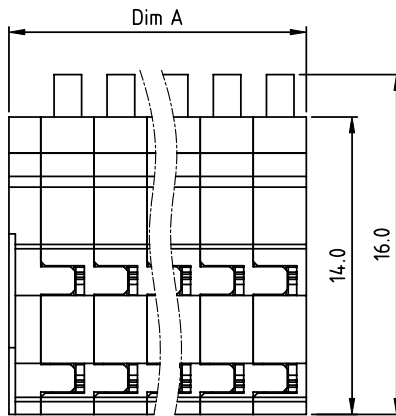


PRODUCT NUMBER	PITCH
NAxxB1x000J0G	2.50 mm



RECOMMENDED P.C.B LAYOUT
TOP VIEW



Material:

- Item①Terminal lever: Thermoplastic (UL94 V-0)
- Item②Terminal body Thermoplastic (UL94 V-0)
- Item③Solder pin: Brass Tin plated
- Item④Wire guard: Stainless steel
- Item⑤Terminal cover: Thermoplastic (UL94V-0)

Electrical cULus

- Voltage rating: 150V
- Current rating: 3A
- Wire range: 0.08-0.52mm²
- Solid wire(AWG): 20-28
- Stranded wire(AWG): 20-28
- Wire strip length: 9-10mm
- Withstanding Voltage: 1.3KV
- Operating temperature: -40°C to +115°C
- Soldering temperature: 260°C±5°C/5 Sec
- Safety Approval:

PART NO.: NA xx B1 x 0 00J0 G

N=Number of poles
Dim A=Nx2.5+1.5
Dim B=(N-1)x2.5

Poles	Tolerance
2-6p	±0.20
7-12p	±0.25
13-24p	±0.30

End stackable	No. of poles	Color	RoHS compliant
0	2	Black (RAL9005)	(lead<4%) In copper Alloy
02	2 poles	Red (RAL3001/D)	
03	3 poles	Orange(RAL2011/P)	
...	...	Yellow(RAL1018/A)	
...	...	Green(RAL6018/T)	
24	24 poles	Blue (RAL5015/A)	
		8 Grey(RAL7004/P)	
		9 White(RAL1102)	
		C Multiple colors	

mat'l. code		surface ASME Y14.5	tolerance ASME Y14.5	projection	product family TERMINAL BLOCK
ltr	ecn no	dr	date		title TERMINAL BLOCK
tolerances unless otherwise specified				MM	SPRING CLAMP,180D WIRE INLET,A TYPE
angles				scale	dwg no
X°±1'					sheet 1 of 1
dr					size
ENGR					A4
ENGR					
CHR					
APPD					
sheet index				revision	A
sheet				1	