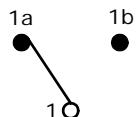


RECOMMENDED PANEL MOUNTING

PANEL THICKNESS	X
0.75-1.25	19.20-19.30
1.25-2.00	19.30-19.40
2.00-3.00	19.50-19.60

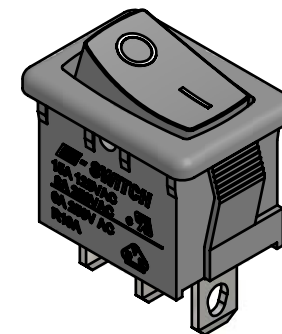
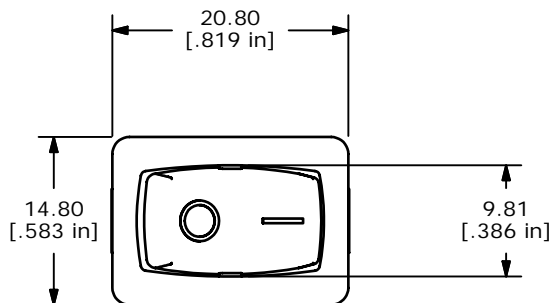
SWITCH FUNCTION		
POS. 1	POS. 2	POS. 3
ON	NONE	ON
1-1a	N/A	1-1b



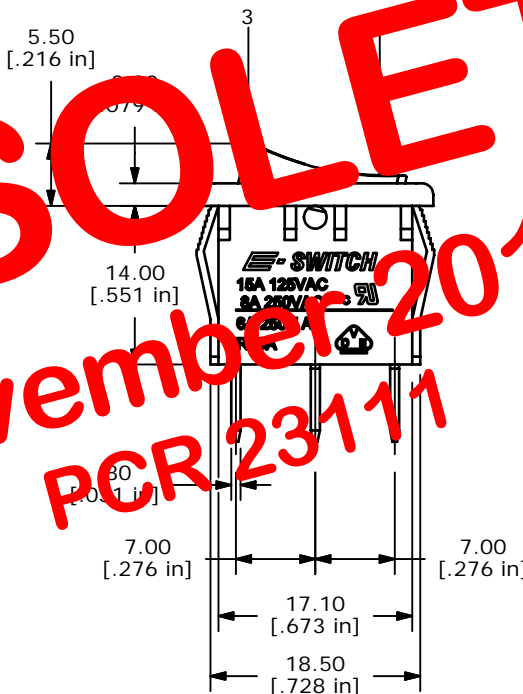
CURCUIT: SPDT

NOTES:

- ALL DIMENSIONS IN MM [INCH]
- GENERAL TOLERANCE: X.X=±0.4  
X.XX=±0.25
- TERM. NOS. FOR REF. ONLY
- RATING: 15A @125VAC (UL);  
8A @250VAC (UL);  
6A @ 250VAC (VDE)
- ▲ LAMP VOLTAGE: NO LAMP
- MATERIAL:  
CONTACT SURFACE: SILVER ALLOY.  
TERMINAL: COPPER ALLOY W/SILVER PLATE
- ELECTRICAL LIFE: 10,000 CYCLES
- CONTACT RESISTANCE: <20 MILLI-OHMS INITIAL
- DIELECTRIC STRENGTH: >1,500V AC 1 MIN
- ▲ DENOTES CRITICAL PARAMETER.
- 2002/95/EC (ROHS) COMPLIANT.

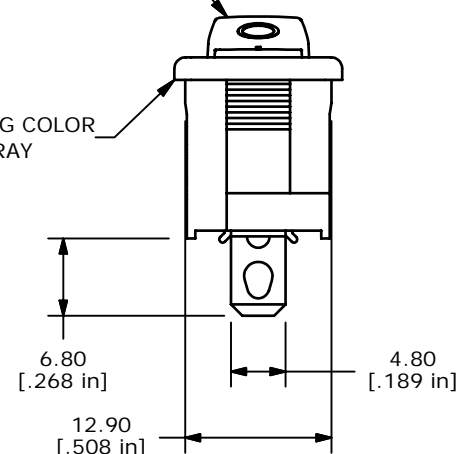


OBSOLETE  
 November 2017  
 PCR 23111



ACTUATOR COLOR  
▲ GRAY

HOUSING COLOR  
▲ GRAY



**E-SWITCH®**

B	15866	EDIT ACTUATOR AND HOUSING COLOR	3/15/06	PH
A	15850	RELEASED FOR PRODUCTION	3/10/06	PH
REV	PCR NO	DESCRIPTION	DATE	BY

TITLE R1966CGRYGRYFF				
SCALE	DATE	DR	DWG	REV
1.5:1	3/10/2006	PH	M309328	B

THE INFORMATION CONTAINED IN THIS DOCUMENT IS PROPRIETARY TO E-SWITCH AND IS NOT TO BE COPIED OR TRANSFERRED