

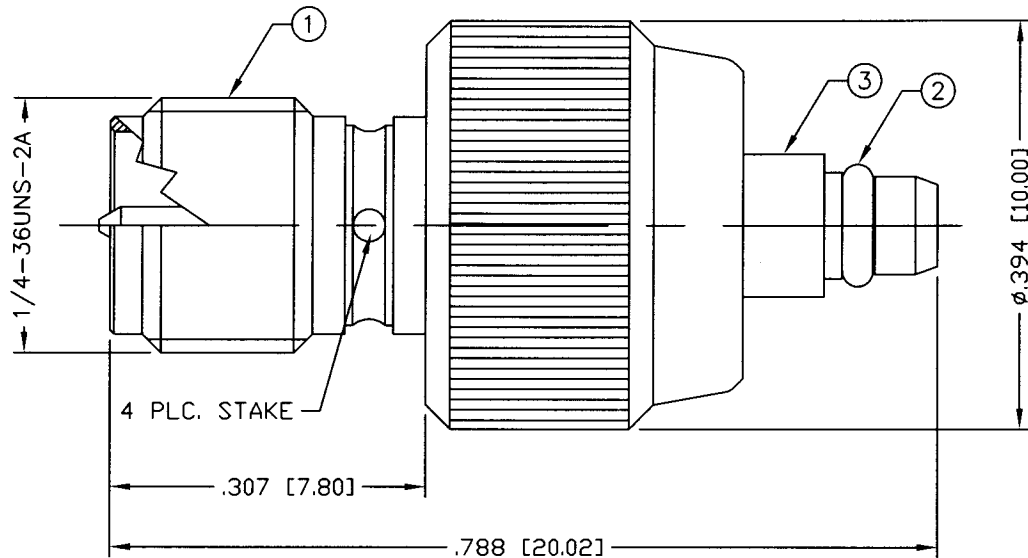
THIS DRAWING CONTAINS INFORMATION PROPRIETARY TO RF INDUSTRIES,
 ANY UNAUTHORIZED USE OF THIS DRAWING IS EXPRESSLY PROHIBITED
 WITHOUT WRITTEN PERMISSION FROM RF INDUSTRIES.
 ANY VIOLATION IS PUNISHABLE UNDER U.S. COPYRIGHT LAWS.

ALL DIMENSIONS ARE REFERENCE ONLY

PART NO.

RP-3408-1

REV	DESCRIPTION	DWN	DATE	APPROVED
-	ENGINEERING RELEASE	CZS	6/9/00	JDMc



SPECIFICATIONS:

IMPEDANCE: 50 Ohms
 FREQUENCY RANGE: 0-6 GHz
 WORKING VOLTAGE: 170 V rms @ sea level
 TEMPERATURE RANGE: -65°C TO 165°C
 INSULATION RESISTANCE: 1k M Ohms min.

1	SMA BODY	1	BRASS	GOLD, 3 μ"	008974	UNLESS OTHERWISE SPECIFIED:
2	RETAINING RING	1	Be.Cu.	GOLD, 3 μ"		
3	MMCX BODY	1	BRASS	GOLD, 3 μ"		
4	INSULATOR	1	PTFE	---		
5	PIN	1	BRASS	GOLD, 30 μ"		
6	INSULATOR	1	PTFE	---		
7						
8						
9						
10					DRAWN	DIMENSIONS ARE IN INCHES AND [MILLIMETERS] UNLESS OTHERWISE NOTED TOLERANCES ARE: DECIMALS DIAMETER
11				C. ZUNIGA	2/9/04	
12				CHECKED	[Signature]	
13				ORJ DRAWN	2/9/04	
14				C. ZUNIGA	2/9/04	
#	DESCRIPTION	QTY	MATERIAL	FINISH	APPROVALS	DATE

RF connectors
 DIVISION OF RF INDUSTRIES, LTD.

7610 MIRAMAR RD
 SAN DIEGO, CA 92126
 (858) 549-6340
 (858) 549-6345 FAX

**SMA REVERSE POLARITY JACK
 TO MMCX PLUG, ADAPTER**

SIZE	CABLE GROUP	DWG NO.	REV
A	N/A	RP-3408-1	-
SCALE: NTS		CAD FILE OUTLINE	SHEET 1 OF 1