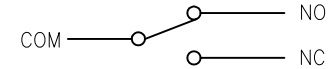
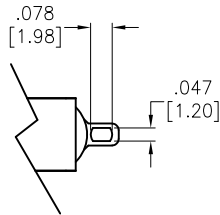
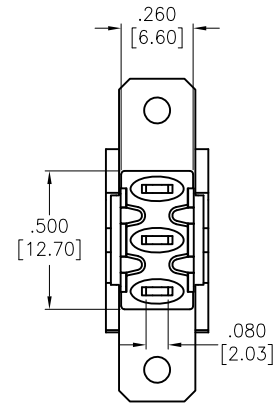
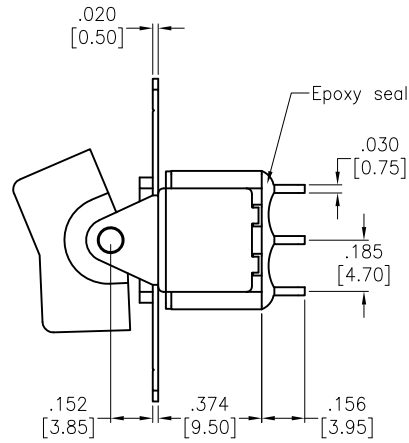
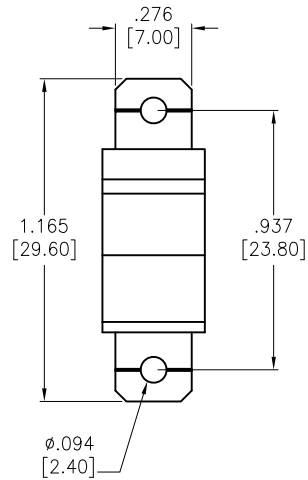


APPROVED: _____
 DATE: _____ TITLE: _____

Rev	AWO #	Description	Date	Appr
-		RELEASED	12/15/20	
A		UPDATE TITLE	6/25/21	WX/RC



CIRCUIT DIAGRAM
(SPDT) ON-ON

SWITCH MARKINGS



SPECIFICATIONS:

Material:
 Movable contact: Copper Alloy, Silver plated
 Terminals: Copper Alloy, Silver plated
 Cap Actuator: Plastic, color Black
 Electrical:

Rating: 5 Amps with resistive load @ 125VAC or 28VDC
 2 Amps with resistive load @ 250VAC
 Contact resistance: 10 mohms max initial
 Insulation resistance: 1,000 Mohms min
 Dielectric withstanding voltage: 1500V RMS @ sea level
 Electrical life: 50,000 make and break cycles at full load
 Temperature Rating:
 Operating temperature: -30°C to +85°C
 Environmental:
 Lead free, RoHS compliant



UNLESS OTHERWISE SPECIFIED ALL DIMENSIONS ARE INCHES [MM] TOLERANCES: EXCEPT AS NOTED		
INCHES HOLES		
.X ± .10	Ø.X ± .10	
.XX ± .020	Ø.XX ± .015	
.XXX ± .015	Ø.XXX ± .010	
APPROVALS		DATE
DRAWN	OW	12/15/20
CHECKED	AC	12/15/20
APPROVED		

ADAM TECH 909 Rahway Avenue,
 Union, NJ 07083
 Phone: 908-687-5000
 Fax: 908-687-5710

TITLE: **MINIATURE ROCKER SWITCH,
 SPDT, ON-ON, SOLDER TYPE**

SIZE X	PART NO. SW-R2-2B-A-5-10	REV. A
REF: S00198T	SCALE: NTS	SHEET 1 OF 1

6

5

4

3

2

1

D

D

C

C

B

B

A

A

6

5

4

3

2

1