

■ Features

- Single output from 20-24W
- 100-240Vac Universal Input
- IEC/EN/ANSI/AAMI ES60601-1 (edition 3.1)
- EMC: IEC60601-1-2: 2014 (edition 4.0)
- IEC 62368-1 & 60950-1
- Leakage current: <100µA
- Low Ripple Noise
- Means of protection: 2 X MOPP
- Efficiency level VI
- Interchangeable Plug types: US, EU, AU, UK, CN
- 2-year warranty



*Product images are for illustrative purposes only and may vary from actual design.

■ Application

- Medical equipment

■ Model List

Custom Designs Available!

Model	Output Voltage	Output Current	Power
WM-M024A-050I-TPx-XX	5V	4A	20W
WM-M024A-090I-TPx-XX	9V	2.5A	22.5W
WM-M024A-120I-TPx-XX	12V	2A	24W
WM-M024A-150I-TPx-XX	15V	1.6A	24W
WM-M024A-240I-TPx-XX	24V	1A	24W
WM-M024A-480I-TPx-XX	48V	0.5A	24W

■ Technical Data

Voltage	100-240Vac
Line Frequency	50-60Hz
Input Current	0.58A-0.32A
Protection	Internal Primary Current Fuse
Configuration	A for US Plug
	D for EU Plug
	C for UK Plug
	B for AU Plug
	E for CN Plug
TP1 & TP2 KIT for Changeable Plug	

Technical Sales / Customer Service: +1-818-338-7788 • Email: sales@autec.com
 31328 Via Colinas Suite 102 • Westlake Village, CA 91362 USA • www.autec.com

June 11, 2020

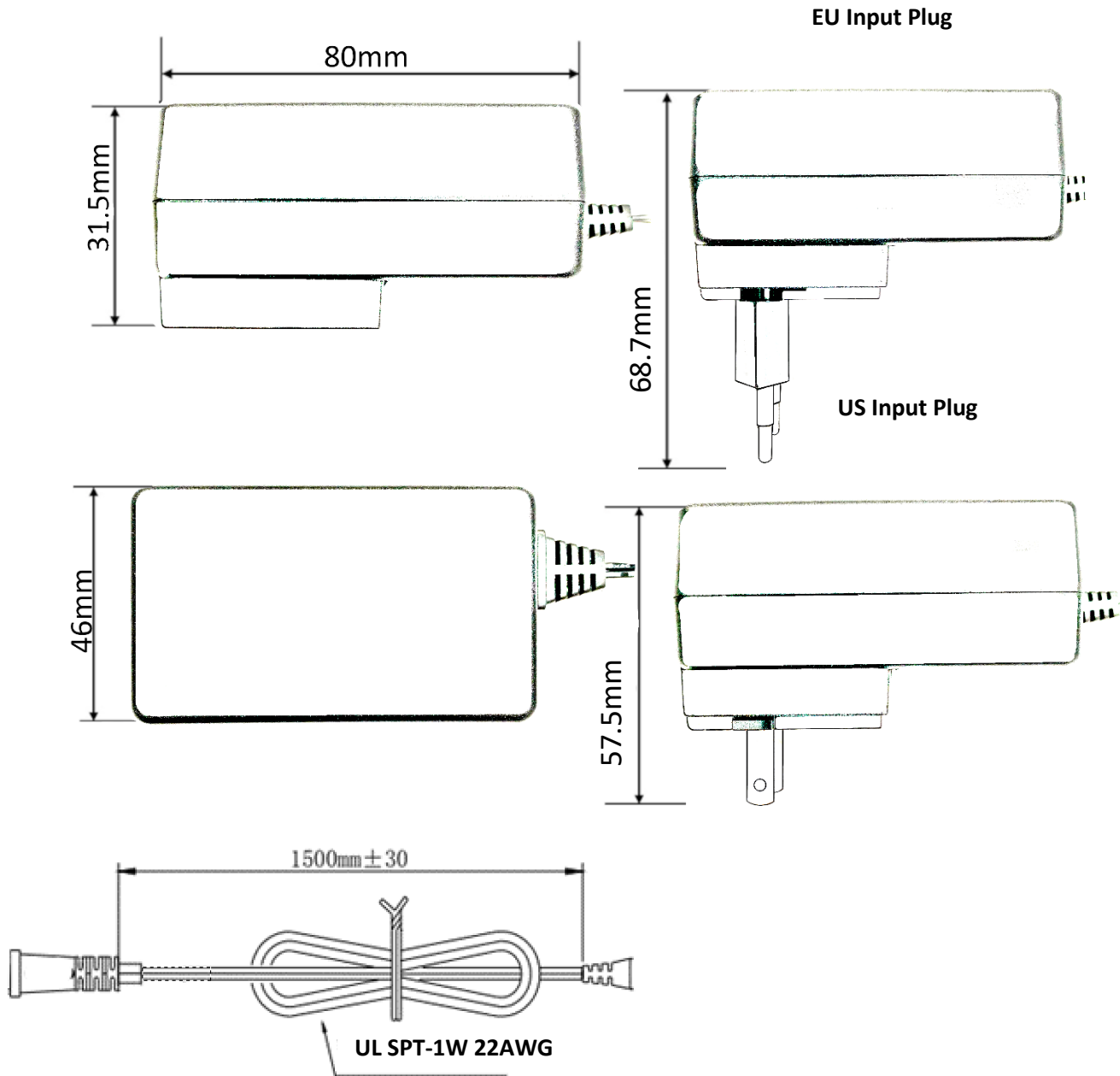
■ **Technical Data(cont.)**

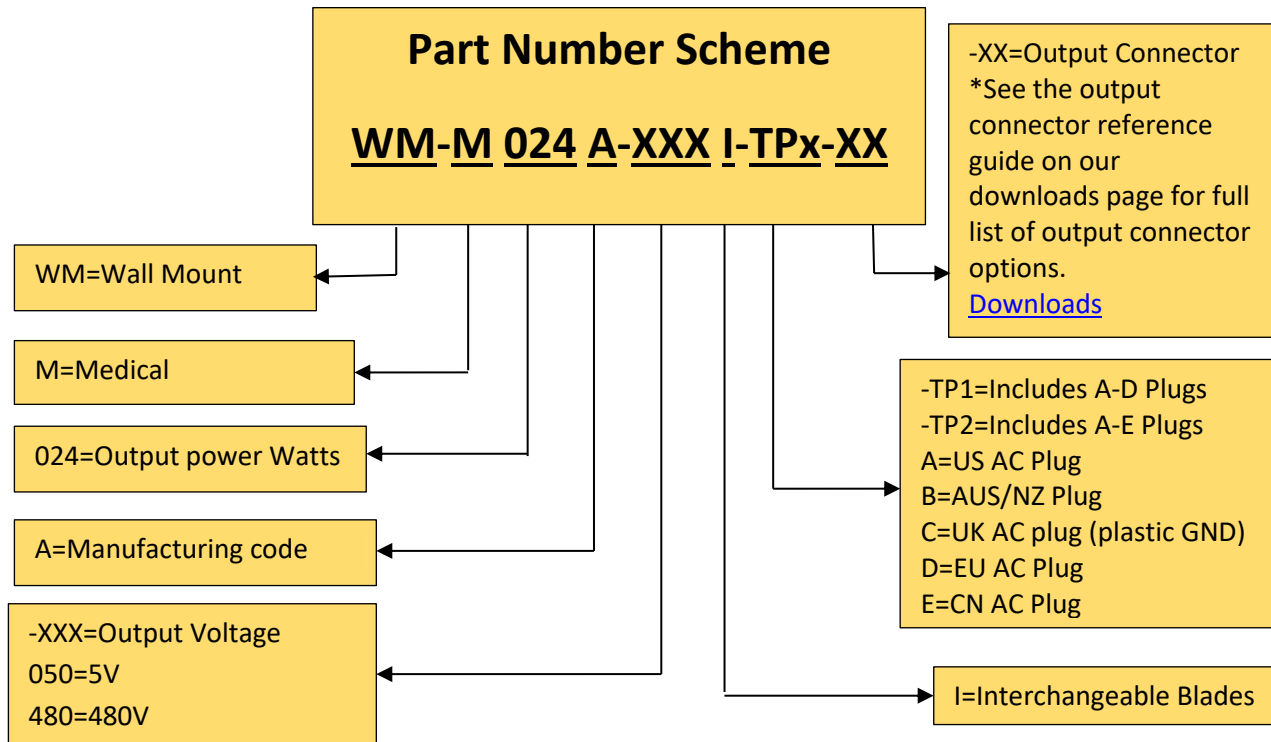
Load Regulation	±5%(Typical)
Ripple	2% Vp-p Max. for Output Voltage @ Full Load
Transient Response	0.5mS for 50% Load Change Typical
Hold-up Time	10mS@ Full Load
Protection	Short Circuit Protection/ Over Voltage protection/ Over Current Protection
DC Cord	22AWG/20AWG/18AWG/16AWG
Ferrite Core	optional
Dielectric Withstand	4000Vac Primary- Secondary
Topology	Switching Flyback
Leakage Current	<100µA
Efficiency	DoE Level VI, ErP Stage 2, NRCAN & GEMS Certified
MTBF	300,000 Calculated Hours at 25°C
Operating Temperature	0 to +40 °C
Storage Temperature	-20 to +80 °C
Relative humidity	Operating: 20 to 80% RH Storage: 10 to 90% RH
Cooling	Natural Convection Cooling
Case Dimensions	US: 80.2x46x57.5mm
	EU: 80.2x46x68.7mm
	UK: 80.2x49.6x62.7mm
	AU: 80.2x56x57.5mm
	CN: 80.2x46x57.5mm
	TP1 or TP2: 80.2x46x40.5mm
Weight	US: 140g, AU: 144g, UK:148g, EU: 145g ref.

■ **Safeties and Compliances**

Safety Approvals	UL/cUL/CE
EMI Conduction and Radiation	Compliance to EN55011 Class B
Harmonic Current	Compliance to EN61000-3-2, 3
EMS Immunity	Compliance to EN61000-4-2,3,4,5,6,8,11

■ **Mechanical Diagram(ref)**





***Product images are for illustrative purposes only and may vary from actual design.**

***Specifications are subject to change without notice. Autec is not responsible for issues arising from errors or omissions.**