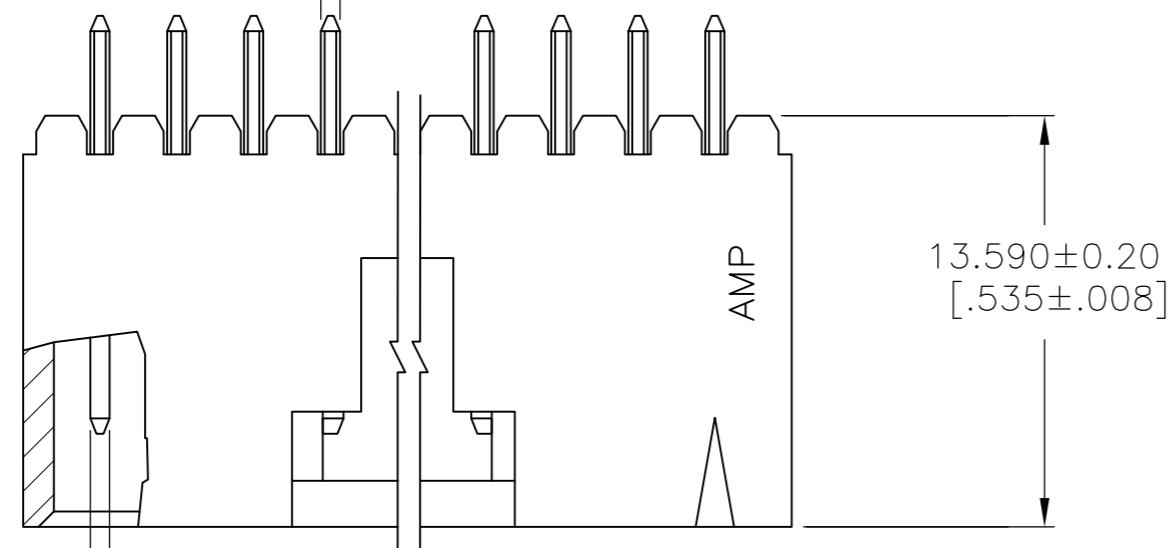


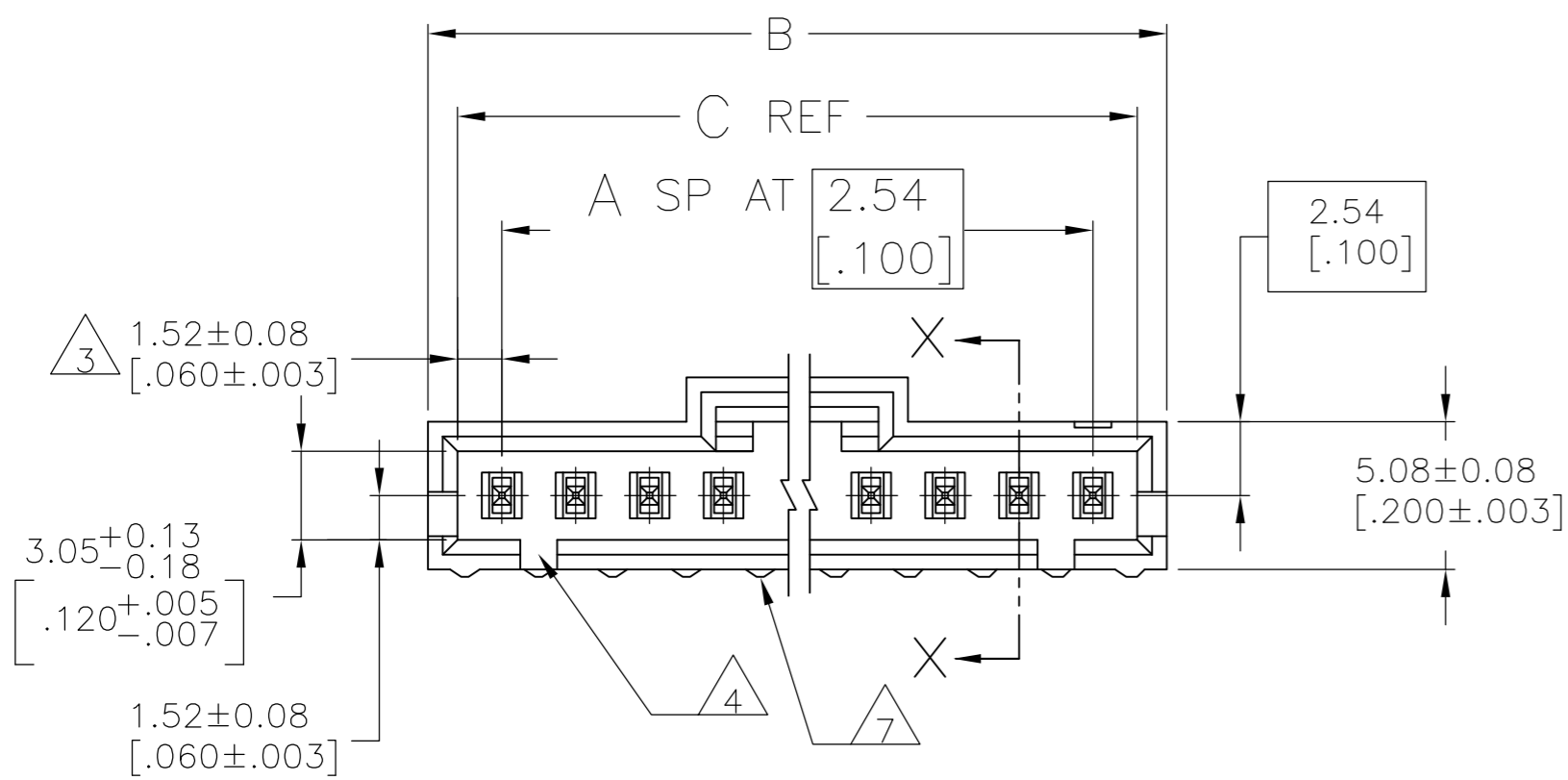
THIS DRAWING IS UNPUBLISHED. RELEASED FOR PUBLICATION
 © COPYRIGHT - By - ALL RIGHTS RESERVED.

REVISIONS					
P	LTR	DESCRIPTION	DATE	DWN	APVD
H2		REVISED PER ECO-15-011941	21AUG2015	NK	MM
J		REVISED PER ECO-17-002584	10APR2017	BDA	MM

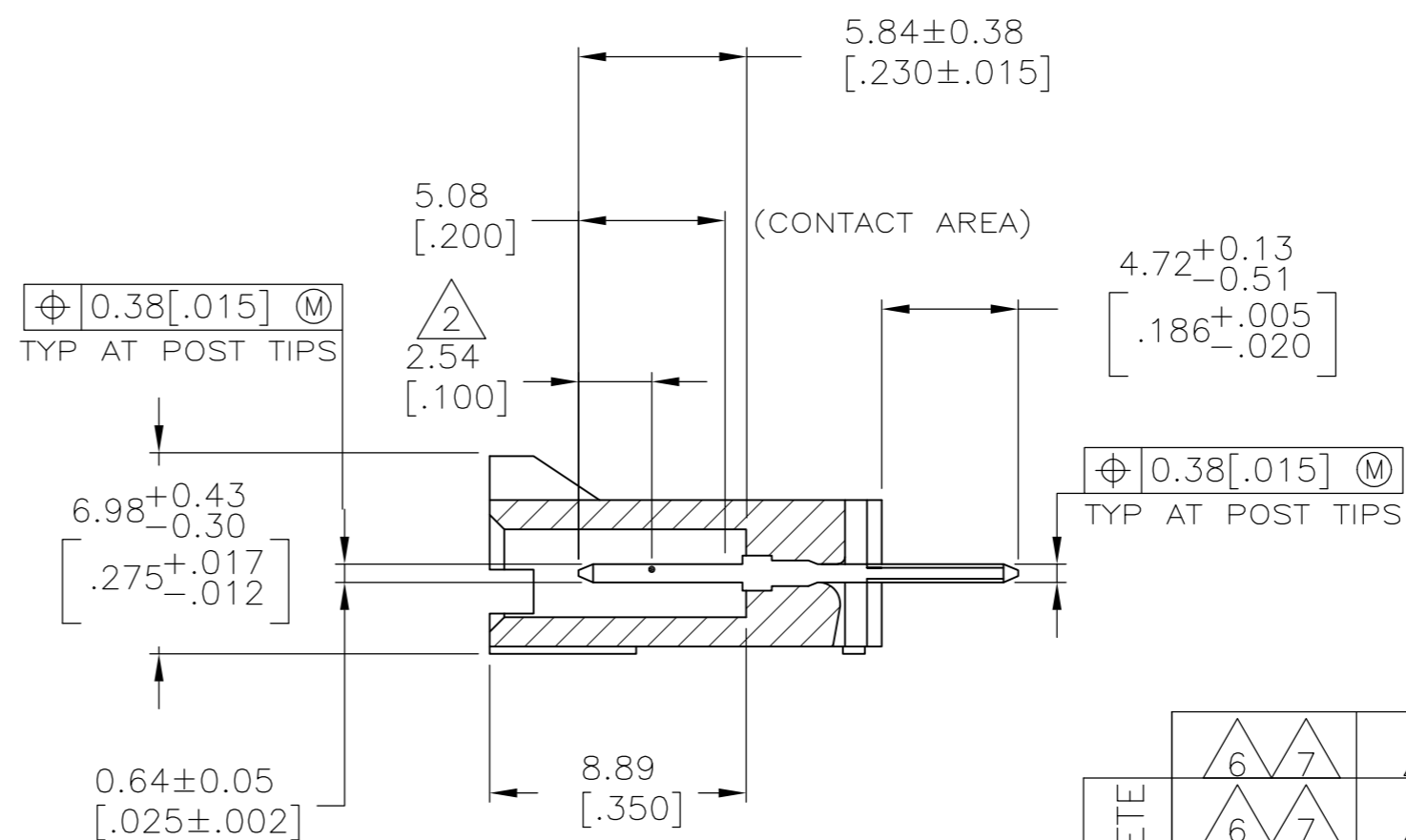
$\varnothing 0.38[.015]$ (M)
TYP AT POST TIPS



0.64 ± 0.02
[.025±.001]
 $\varnothing 0.38[.015]$ (M)
TYP AT POST TIPS

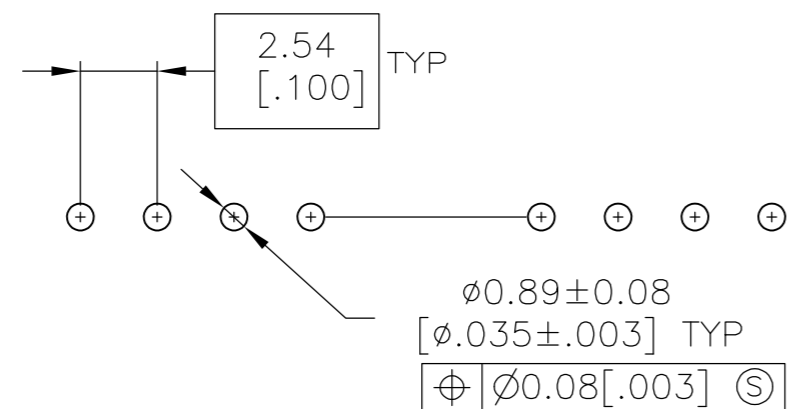


$\varnothing 0.38[.015]$ (M)
TYP AT POST TIPS



SECTION X-X

- 1 .00254[.000100] BRIGHT TIN-LEAD OVER .00127[.000050] NICKEL.
- 2 POINT OF MEASUREMENT FOR PLATING THICKNESS.
- 3 THE NOTED DIMENSIONS APPLY AT THE INTERSECTION OF THE POST AND THE HOUSING.
- 4 ON ASSEMBLIES WITH FOUR OR MORE POSITIONS, TWO POLARIZATION SLOTS. ON ASSEMBLIES WITH TWO OR THREE POSITIONS, ONE POLARIZATION SLOT.
- 5 .00254[.000100] MATTE TIN OVER .00127[.000050] NICKEL.
- 6 HIGH TEMPERATURE CONFIGURATION.
- 7 STANDOFF NOT PRESENT ON UNDERSIDE OF ASSEMBLY
- 8 OBSOLETE PARTS: OBSOLETE CIS STREAMLINING PER D.RENAUD/D.SINISI



RECOMMENDED HOLE LAYOUT

OBSOLETE	6 7		5		C	B	A	NO. OF POSN	PART NO.
	6	7	5	5					
					5	6			5-104904-4
					3	4			5-104904-3
					2	3			5-104904-2
					1	2			5-104904-1
					5	6			104904-4
					3	4			104904-3
					2	3			104904-2
					1	2			104904-1

THIS DRAWING IS A CONTROLLED DOCUMENT.

DWN J.HERRINGTON 12-10-93
 CHK J.GESFORD 12-10-93
 APVD J.GESFORD 12-10-93

TE Connectivity

HDR ASSY,VERT,SINGLE ROW
 2.54[.100]CL,0.64[.025]SQPOST.
 WITH PLZN&LATCHING, AMPMODU MTE

108-25034
 114-25026

SIZE A2 CAGE CODE 00779 DRAWING NO C=104904 RESTRICTED TO -

CUSTOMER DRAWING SCALE 4:1 SHEET 1 OF 1 REV J