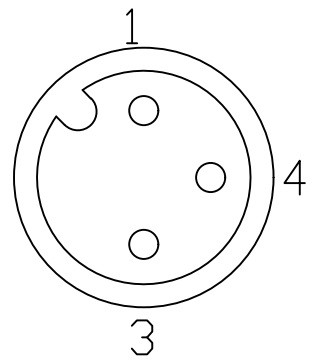


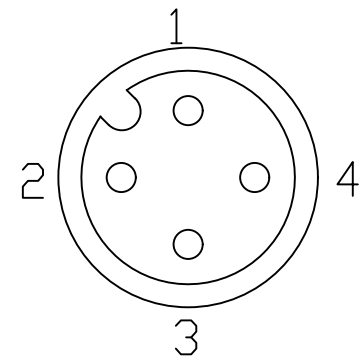
M12 3 POLE



FACE VIEW

Pin	Wire color
1	BROWN
2	-
3	BLUE
4	BLACK

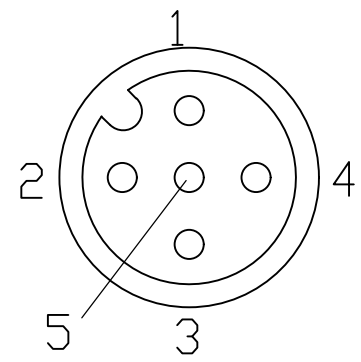
M12 4 POLE



FACE VIEW

Pin	Wire color
1	BROWN
2	WHITE
3	BLUE
4	BLACK

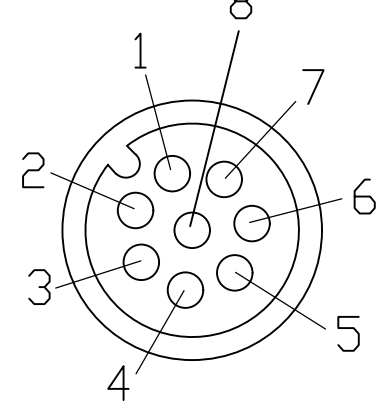
M12 5 POLE



FACE VIEW

Pin	Wire color
1	BROWN
2	WHITE
3	BLUE
4	BLACK
5	GRAY

M12 8 POLE



FACE VIEW

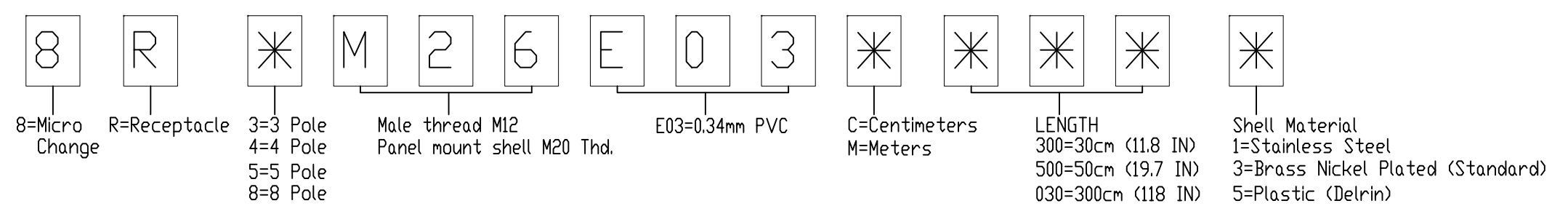
Pin	Wire color
1	WHITE
2	BROWN
3	GREEN
4	YELLOW
5	GRAY
6	PINK
7	BLUE
8	RED

PART NO.	ENGINEERING NO	L[mm]	POLE	RECEPTACLE MAT.
1200110257	8R5M26E03C3003	300	5	BRASS/NI PLATE
1200110261	8R5M26E03C1503	150	5	BRASS/NI PLATE
1200110267	8R4M26E03C1505	150	4	DELTRIN
1200110652	8R5M26E03C5003	500	5	BRASS/NI PLATE
1200700166	8R4M26E03C3001	300	4	ST. STEEL
1200700167	8R4M26E03C3003	300	4	BRASS/NI PLATE
1200700279	8R8M26E02C3005	300	8	DELTRIN
1200708070	8R8M26E02C3003	300	8	BRASS/NI PLATE
1200708084	8R4M26E03C5003	500	4	BRASS/NI PLATE
1200708085	8R8M26E03C5003	500	8	BRASS/NI PLATE
1200708088	8R4M26E03C3005	300	4	DELTRIN
1200708094	8R4M26E03M0103	1000	4	BRASS/NI PLATE

CABLE LENGTH TOLERANCES

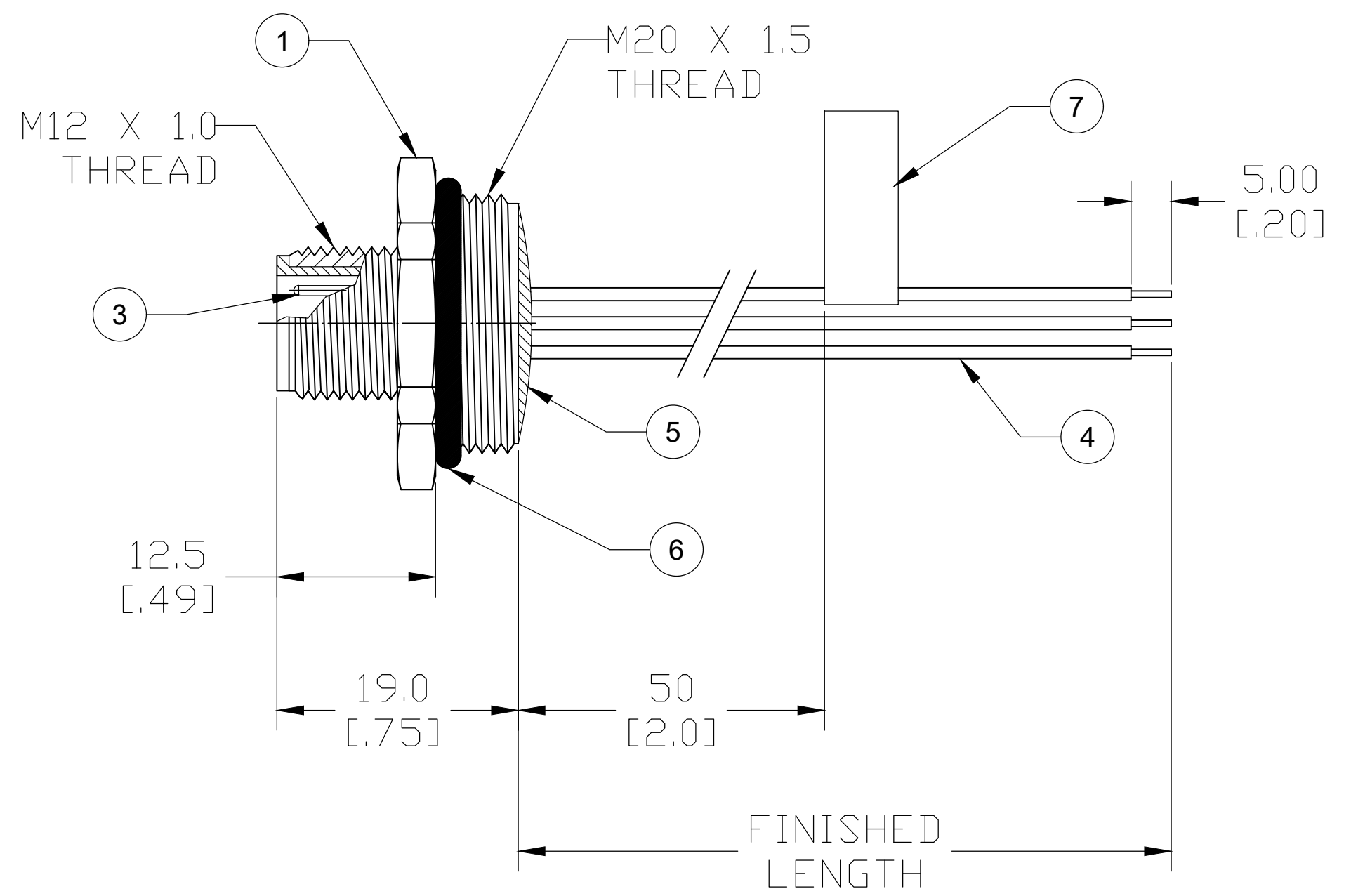
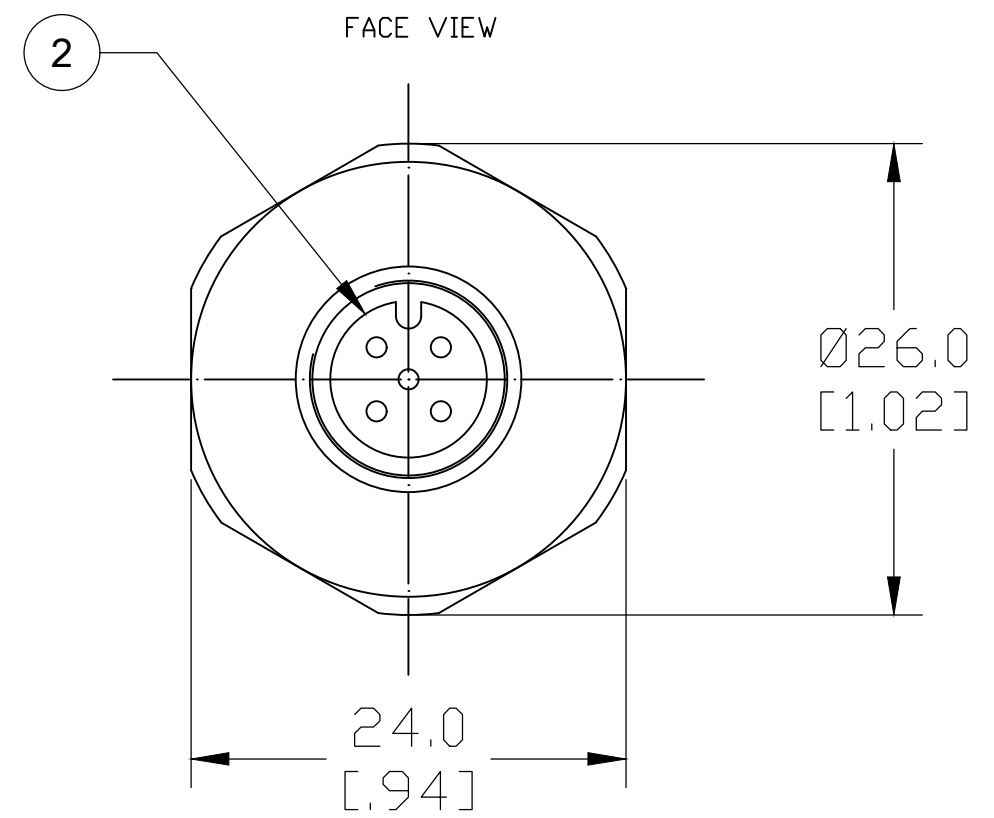
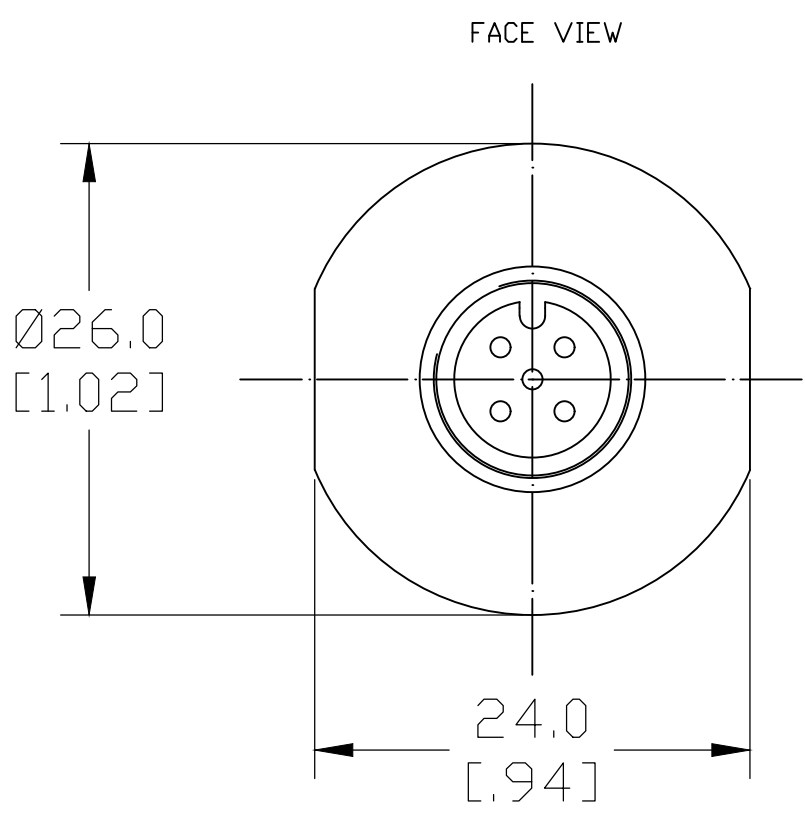
>.3M [1FT]:	+19mm-0 [+ .75in-0]
.3 - .9M [1 - 3FT]:	+44.5mm-0 [+1.75in-0]
.9 - 1.8M [3 - 6FT]:	+55.6mm-0 [+2.19in-0]
1.8 - 3.7M [6 - 12FT]:	+88.9mm-0 [+3.50in-0]
3.7 - 7.3M [12 - 24FT]:	+165.1mm-0 [+6.50in-0]
7.3-14.6M [24 - 48FT]:	+317.5mm-0 [+12.50in-0]
14.6 - 30.5M [48-100FT]:	+622.3mm-0 [+24.50in-0]
OVER 30M [100FT]	+2% OF FINISHED LENGTH

PART No MATRIX

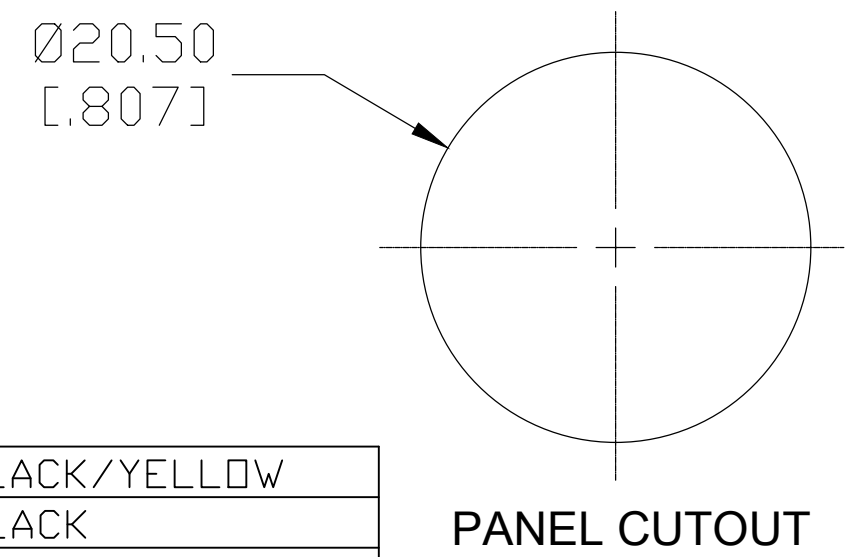


DELTRIN AND ST STEEL VERSION

BRASS (NICKEL PLATE) VERSION



- NOTES:
- MATERIAL: AS NOTED
 - FINISH: AS NOTED
 - ELECTRICAL:
VOLTAGE: 250V (3, 4 & 5 POLE)
CURRENT: 4A
VOLTAGE: 30VAC/36VDC (8 POLE)
CURRENT: 2A
 - TEMP RATING: -20°C TO +105°C
 - PROTECTION: IP67 (WHEN MATED)
 - UL LISTED FILE: E152210
 - ALL DIMS ARE FOR REFERENCE UNLESS TOLERANCED OR NOTED OTHERWISE



ITEM	DESCRIPTION	MATERIAL	FINISH
7	FLAG LABEL	VINYL	BLACK/YELLOW
6	O-RING	NITRILE	BLACK
5	POTTING MATERIAL	PUR	
4	WIRE 22AWG (UL1569)	PVC INSULATION	SEE FACE VIEW
3	CONTACT PIN	COPPER ALLOY	GOLD PLATED
2	MALE INSERT	NYLON	BLACK
1	RECEPTACLE SHELL	SEE P/N TABLE	SEE P/N TABLE

THIS DRAWING CONTAINS INFORMATION THAT IS PROPRIETARY TO MOLEX ELECTRONIC TECHNOLOGIES, LLC AND SHOULD NOT BE USED WITHOUT WRITTEN PERMISSION			
SYMBOLS DIMENSION UNITS: MM/INCH SCALE: --- GENERAL TOLERANCES (UNLESS SPECIFIED): 4 PLACES ±.--- ±.--- 3 PLACES ±.--- ±.--- 2 PLACES ±.--- ±.--- 1 PLACE ±.--- ±.--- 0 PLACES ±.--- ±.--- ANGULAR TOL ±.--- ° DRAFT WHERE APPLICABLE MUST REMAIN WITHIN DIMENSIONS	CURRENT REV DESC: RELEASED EC NO: 629880 DRWN: RSTONE 2019/11/26 CHK'D: MZIELINSKI 2020/01/06 APPR: BWOODMAN 2020/01/14 INITIAL REVISION: DRWN: RSTONE 2019/11/26 APPR: BWOODMAN 2020/01/14 THIRD ANGLE PROJECTION DRAWING: C-SIZE SERIES: 120070	<p>MICRO-CHANGE MALE RECEPTACLE M12 X M20 3, 4, 5 & 8 POLE, 0.34MM² (22AWG)</p> <p>PRODUCT CUSTOMER DRAWING</p> <p>DOCUMENT NUMBER: 1200700166 DOC TYPE: PSD DOC PART: 000 REVISION: A</p> <p>MATERIAL NUMBER: SEE P/N CHART CUSTOMER: --- SHEET NUMBER: 1 OF 1</p>	DOCUMENT STATUS: P1 RELEASE DATE: 2020/01/14 20:25:39