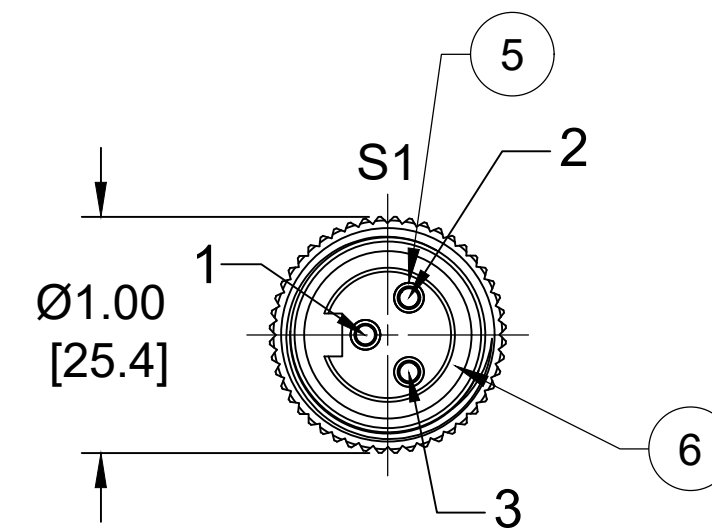
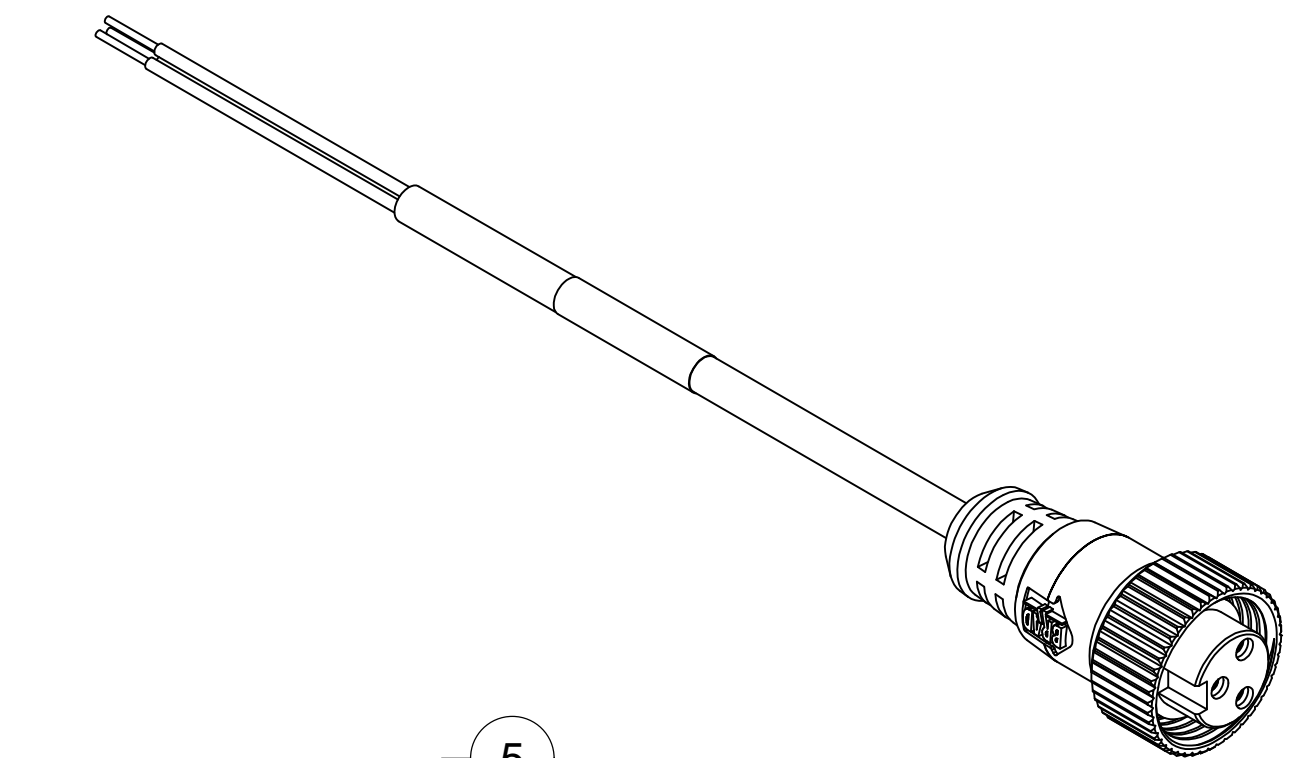
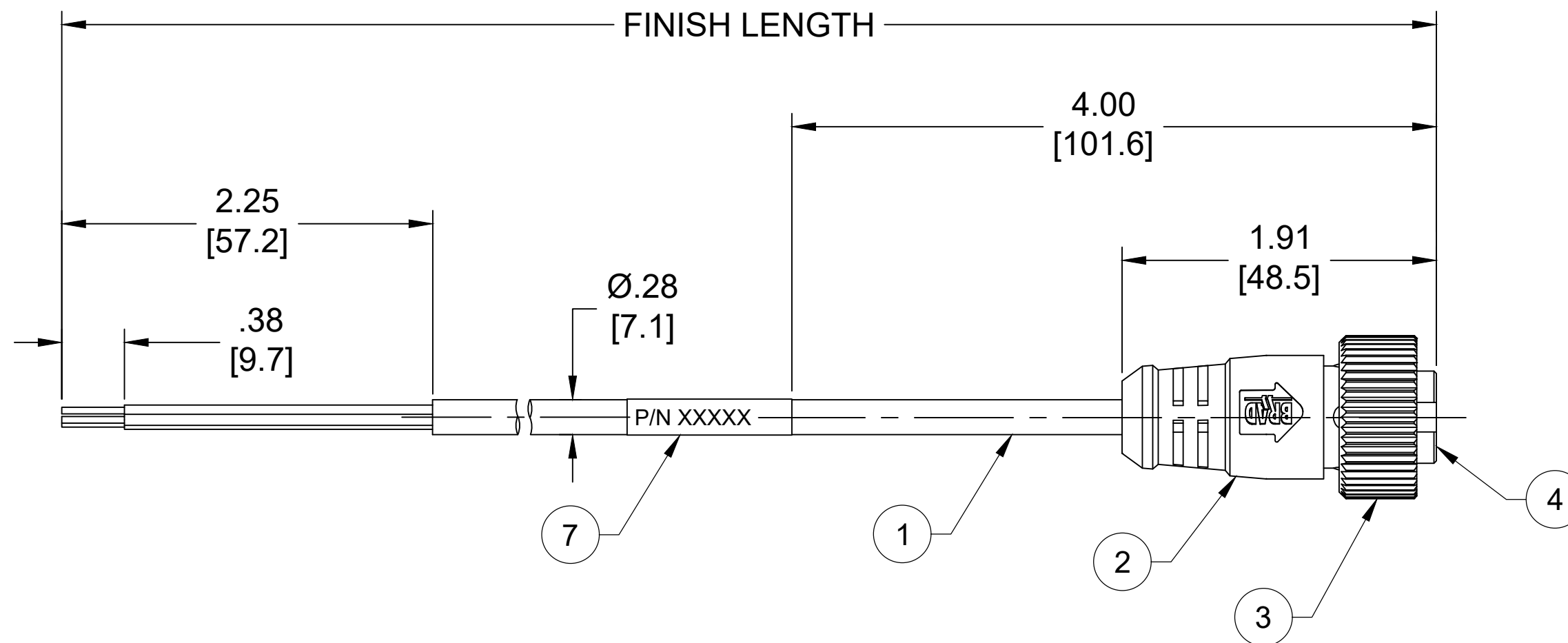


PART NO.	ENGINEERING NO.	FINISHED LENGTH
1300060298	103000A03F030	3FT [0.9M]
1300060308	103000A03F150	15FT [4.6M]
1300060313	103000A03F250	25FT [7.6M]



FEMALE FACE VIEW

NOTES:

1. MATERIAL: AS NOTED
2. FINISH: AS NOTED
3. ELECTRICAL:
VOLTAGE : 300V
CURRENT: 10A
4. TEMP RATING: -20° TO +105°C
5. PROTECTION: IP67 (WHEN MATED)
6. COUPLING THREAD: 7/8"-16UN
7. UL RECOGNIZED FILE: E152210
CSA CERTIFIED FILE: LR6837
8. ALL DIMENSIONS ARE FOR REFERENCE UNLESS TOLERANCED OR NOTED OTHERWISE

S1	
GREEN-GND	1
RED WITH BLACK	2
RED WITH WHITE	3

WIRING DIAGRAM

PART NUMBER LEGEND

103000A03F030

CABLE LENGTH
F050 = 5 FEET
F100 = 10 FEET
F500 = 50 FEET

CABLE LENGTH TOLERANCES

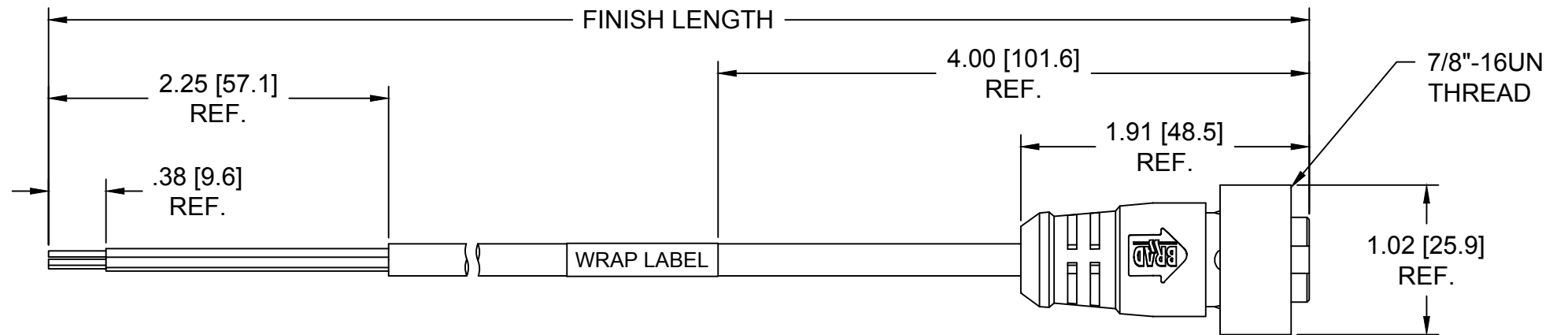
<.3M [1FT]:	+19mm-0 [+.75in-0]
.3 - .9M [1 - 3FT]:	+44.5mm-0 [+1.75in-0]
.9 - 1.8M [3 - 6FT]:	+55.6mm-0 [+2.19in-0]
1.8 - 3.7M [6 - 12FT]:	+88.9mm-0 [+3.50in-0]
3.7 - 7.3M [12 - 24FT]:	+165.1mm-0 [+6.50in-0]
7.3-14.6M [24 - 48FT]:	+317.5mm-0 [+12.50in-0]
14.6 - 30.5M [48-100FT]:	+622.3mm-0 [+24.50in-0]
OVER 30M [100FT]	+2% OF FINISHED LENGTH

ITEM	COMPONENT	MATERIAL	FINISH
7	WRAP LABEL	VINYL	BLACK/YELLOW
6	FRICION RING	NYLON	WHITE
5	CONTACT SOCKET	COPPER ALLOY	GOLD OVER NICKEL
4	INSERT	TPE	YELLOW
3	COUPLING NUT	ZINC DIE CAST	BLACK-E-COAT
2	OVERMOLD	TPE	YELLOW
1	CABLE, 18 AWG	PVC	YELLOW

FUNCTIONAL SYMBOLS	THIS DRAWING CONTAINS INFORMATION THAT IS PROPRIETARY TO MOLEX ELECTRONIC TECHNOLOGIES, LLC AND SHOULD NOT BE USED WITHOUT WRITTEN PERMISSION		
	DIMENSION UNITS	SCALE	CURRENT REV DESC: ITEM# 2 & 4 WERE PVC.ITEM #7 WAS PLASTIC FILM. ADDED ITEM #6, UL NUMBER, PN LEGEND & TOL CHART. MODIFIED PN CHART.
DIVISIONAL SYMBOLS	INCH/MM	NTS	EC NO: 702709 DRWN: ABENJAMINLW 2021/05/20 CHK'D: RSTONE 2022/04/11 APPR: BWOODMAN 2022/04/16
	GENERAL TOLERANCES (UNLESS SPECIFIED)		
	mm	INCH	INITIAL REVISION:
	4 PLACES ±----	±----	DRWN: LHARTMAN 2009/12/29
	3 PLACES ±----	±----	APPR: JFMURPHY 2010/01/05
	2 PLACES ±----	±----	
	1 PLACE ±----	±----	
	0 PLACES ±----	±----	
	ANGULAR TOL ± ---- °		
	DRAFT WHERE APPLICABLE MUST REMAIN WITHIN DIMENSIONS	THIRD ANGLE PROJECTION	DRAWING C-SIZE
			SERIES 130006
			MATERIAL NUMBER SEE CHART
			CUSTOMER GENERAL MARKET
			SHEET NUMBER 1 OF 1

FACE VIEW-FEMALE INSERT

1 BROWN 2 BLUE	1 GREEN 2 RED/BLK 3 RED/WHT	1 RED/BLK 2 RED/WHT 3 RED 4 GREEN	1 RED/WHT 2 RED 3 GREEN 4 RED/YEL 5 RED/BLK



10X000A03XXXXX

POLES	LENGTH	COUPLING NUT
2	M010 - 1 METER	1 - SS STR.
3	M100 - 10 METER	2 - N-M
4	F060 - 6 FEET	3 - NB
5	F600 - 60 FEET	8 - SS HEX BLANK - ZINC STR.

SPECIFICATIONS

MATERIALS:

COUPLING NUT: SEE CHART
 CONTACTS: COPPER ALLOY, GOLD PLATED
 INSERT: PVC, YELLOW
 OVERMOLD: PVC, YELLOW
 CABLE: 18AWG YELLOW PVC, 2-5 CONDUCTORS DEPENDENT ON POLE COUNT

ELECTRICAL:

CURRENT RATING: 10A (2P & 3P), 7A (4P), 5.6A (5P)
 VOLTAGE: 300V

MECHANICAL:

TEMPERATURE RATING: -20°C TO 105°C
 PROTECTION: IP67 (IN FULLY MATED POSITION)

INITIAL RELEASE EC NO: IPG2015-0104 DRWN: BARDEN 2014/07/17 CHKD: BRUPERT 2014/07/18 APPR: JFMURPHY 2014/08/02	DESCRIPTION REV	QUALITY SYMBOLS	GENERAL TOLERANCES (UNLESS SPECIFIED)		DIMENSION STYLE		SCALE	DESIGN UNITS	THIRD ANGLE PROJECTION	
		▼=0 ▽=0	mm	INCH	IN/MM	NTS	INCH			
			4 PLACES	±---	±---	DRAWN BY	DATE	TITLE		
			3 PLACES	±---	±.005	BARDEN	2014/07/17	MINI-CHANGE ASSEMBLY 2-5P FE STRAIGHT 18AWG CABLE		
	2 PLACES	±0.13	±.010	CHECKED BY	DATE	MATERIAL NO.				
	1 PLACE	±0.25	±.020	BRUPERT	2014/07/18	SEE CHART				
	ANGULAR ±1/2°		APPROVED BY		DATE	DOCUMENT NO.				
	DRAFT WHERE APPLICABLE MUST REMAIN WITHIN DIMENSIONS		JFMURPHY		2014/08/02	SD-130006-070		SHEET NO.		
				MATERIAL NO.		SD-130006-070		1 OF 1		
				THIS DRAWING CONTAINS INFORMATION THAT IS PROPRIETARY TO MOLEX INCORPORATED AND SHOULD NOT BE USED WITHOUT WRITTEN PERMISSION						