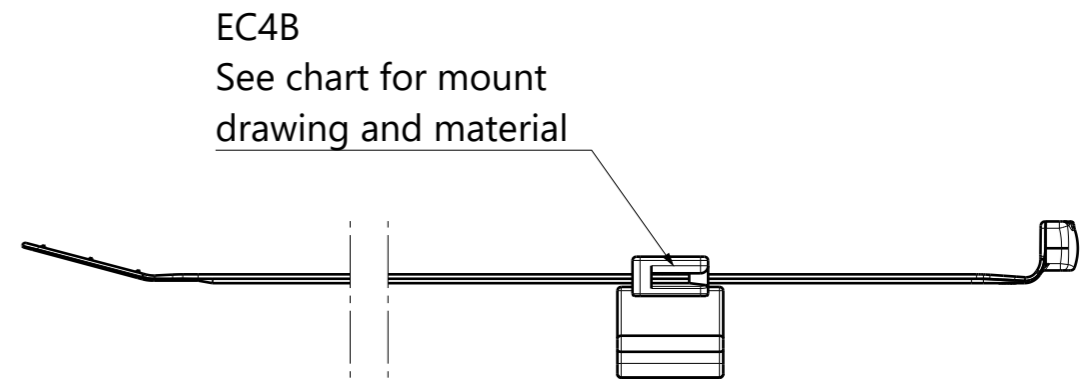
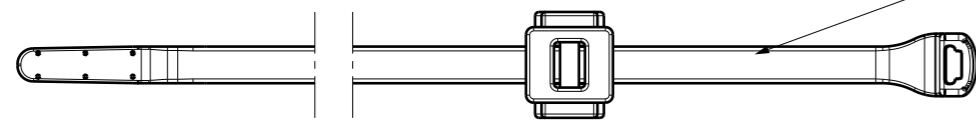


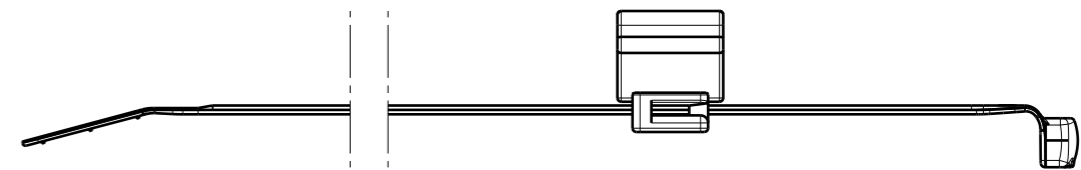
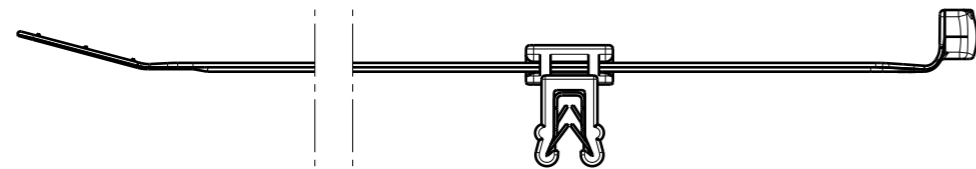
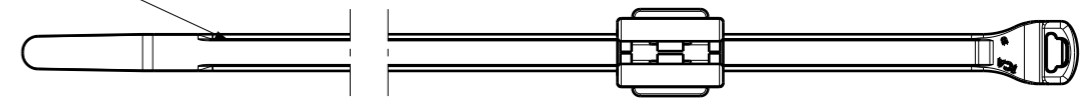
EC4A  
See chart for mount  
drawing and material



EC4B  
See chart for mount  
drawing and material



LPT50R tie  
See chart for tie  
drawing and material



Delivery condition:  
cable tie can be inserted  
from either side of the edge clip

Reference:  
Cable tie  
1. Material: See chart  
2. Material color: See chart

Performance requirements at 2.4% moisture by weight:  
1. Cable tie min loop tensile strength: 225 newtons (50 lbf)

Mount  
1. Material: See chart  
2. Material color: See chart  
3. Sheet metal thickness range: 1.0mm - 3.0mm

Global Part Description	View	Bundle Range	Cable Ties			Mount		
			Drawing	Material	Color	Drawing	Material	Color
LPT50REC4A-PA66HS/PA66HIRHSUV/Steel-BK	A	5mm to 50mm	16-0362-001-CSU	PA66HS	Black	10-0381-005-CSU	PA66HIRHSUV/ Steel	Black
LPT50REC4B-PA66HS/PA66HIRHSUV/Steel-BK	B							

Revision Level		
Drawing	State	Part
00.2	Design Release	
Changed	Date (YYYY/MM/DD)	
Rohde	2022/05/05	
Approved	Date (YYYY/MM/DD)	
Haftarski	2022/05/05	

Revision Record	
ECN 017001	



All drawing revisions are stored in CAD PDM database

The copyright of this drawing is reserved by HellermannTyton.

Drawn	Date (YYYY/MM/DD)
Rohde	2022/04/12
Approved	Date (YYYY/MM/DD)
Haftarski	2022/05/05

Units  
mm

**HellermannTyton**  
www.HellermannTyton.com

Title	LPT50R with EC4 mount	Scale	1:1
Global Project Number	22-0125	Format	A3
Sheet	1 / 1	Drawing-No	<b>22-0125-101-CSU</b>