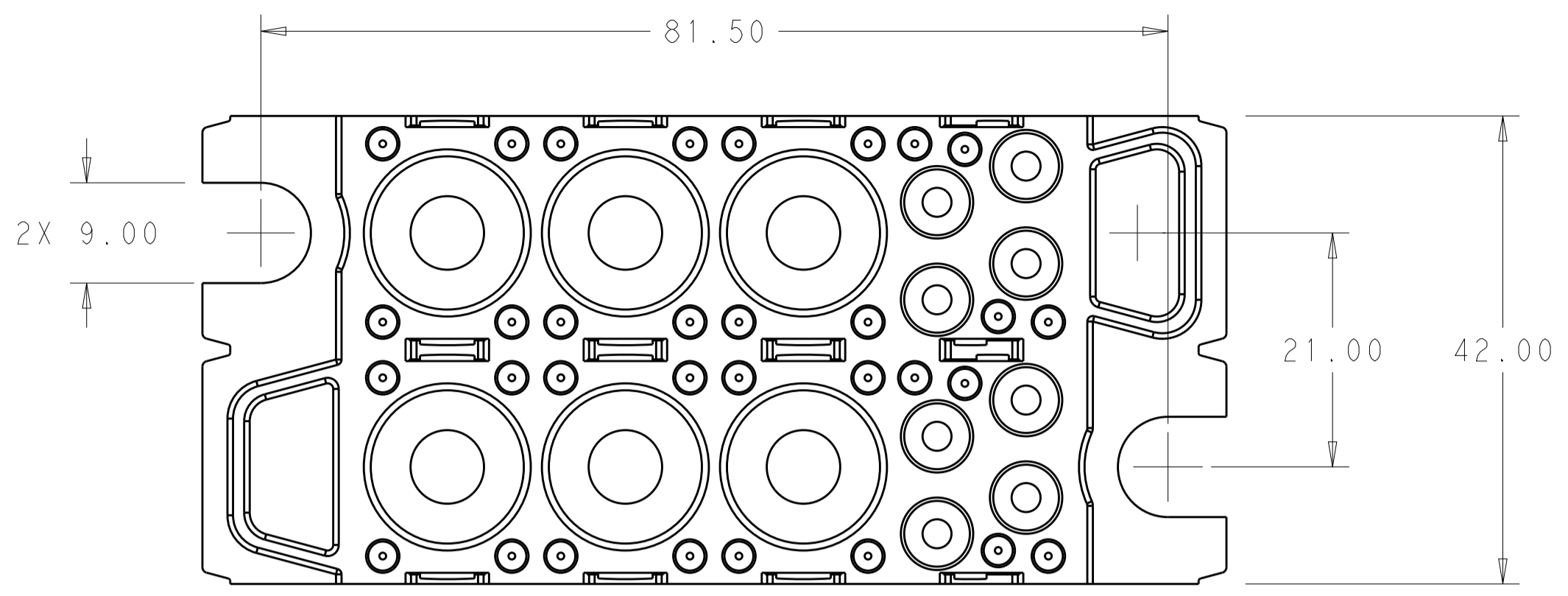
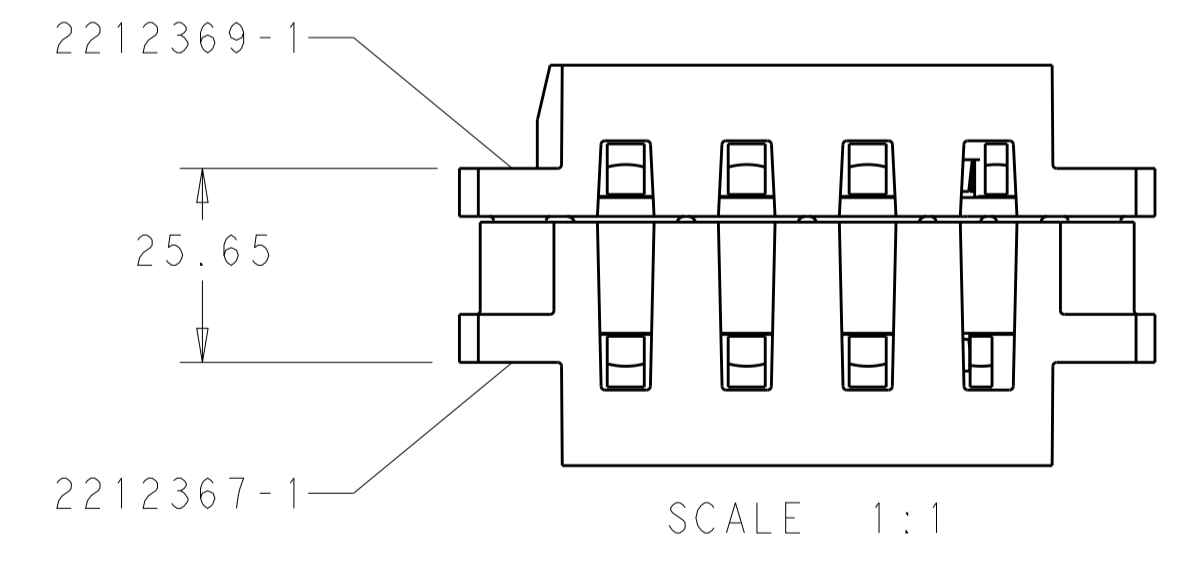
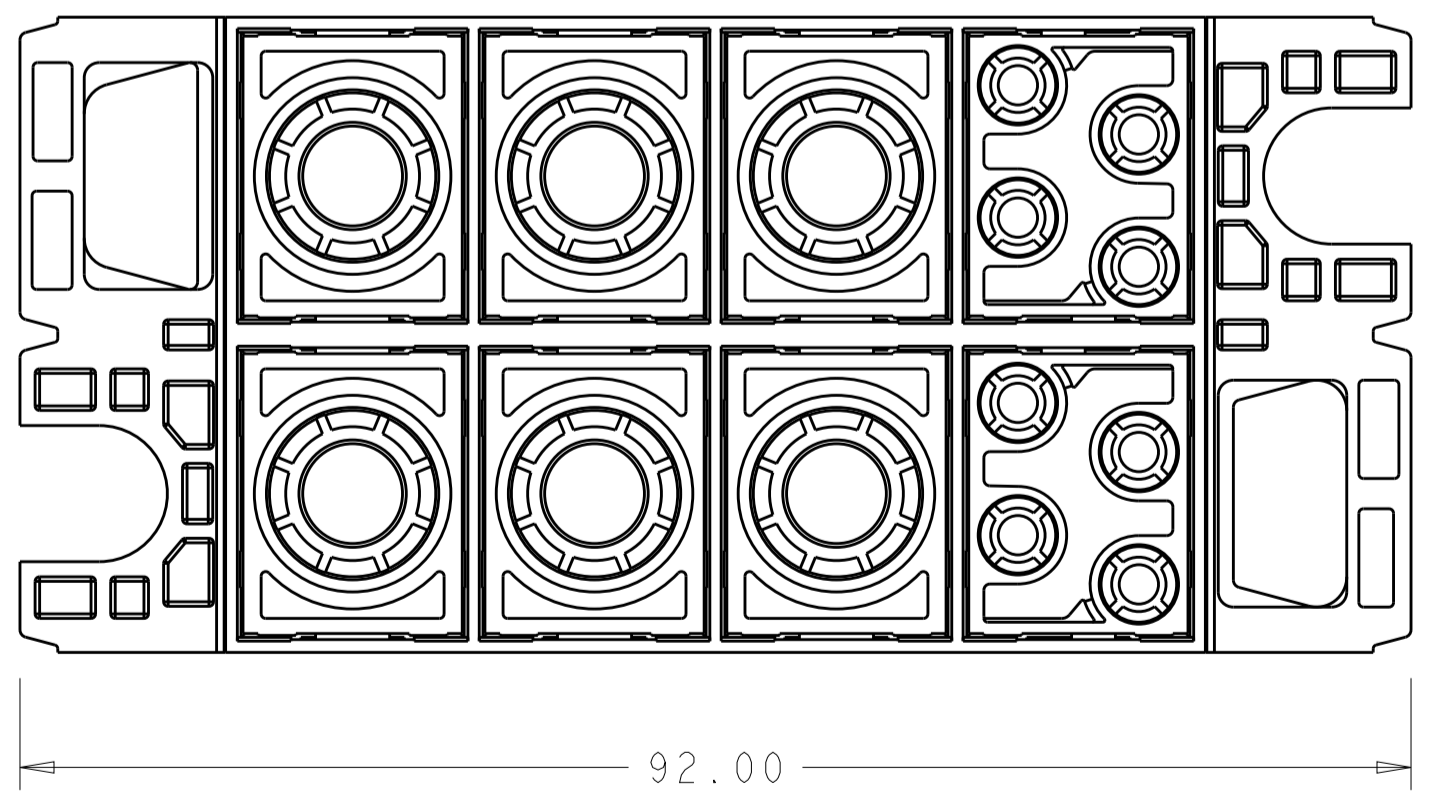
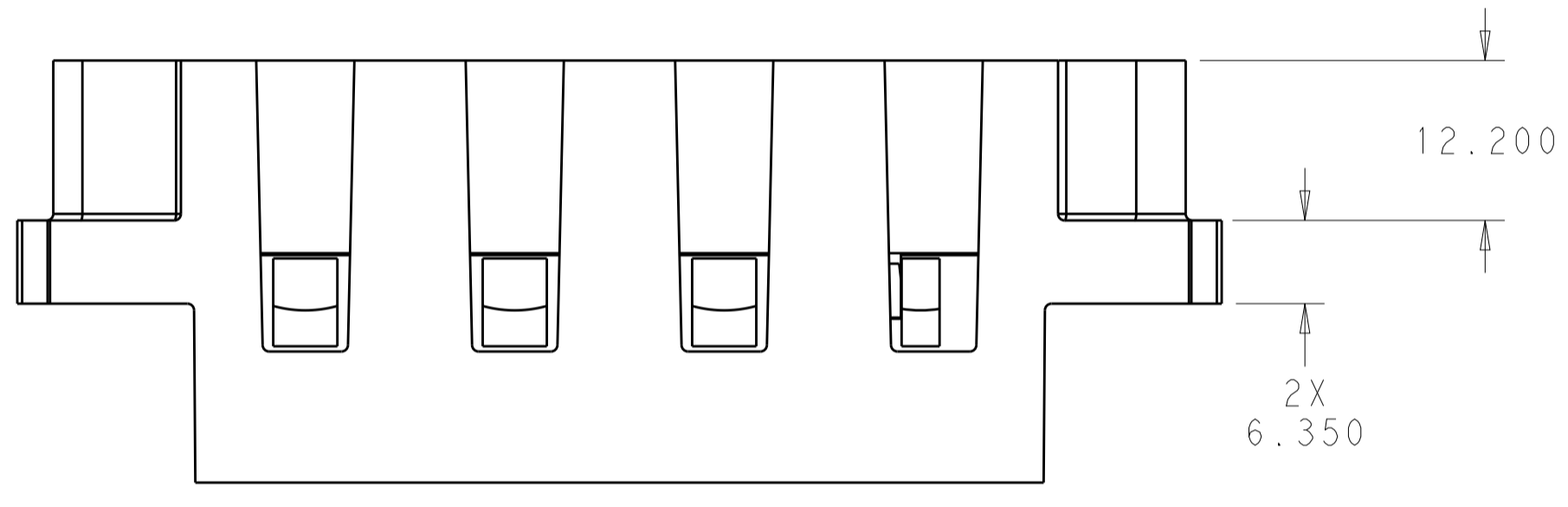
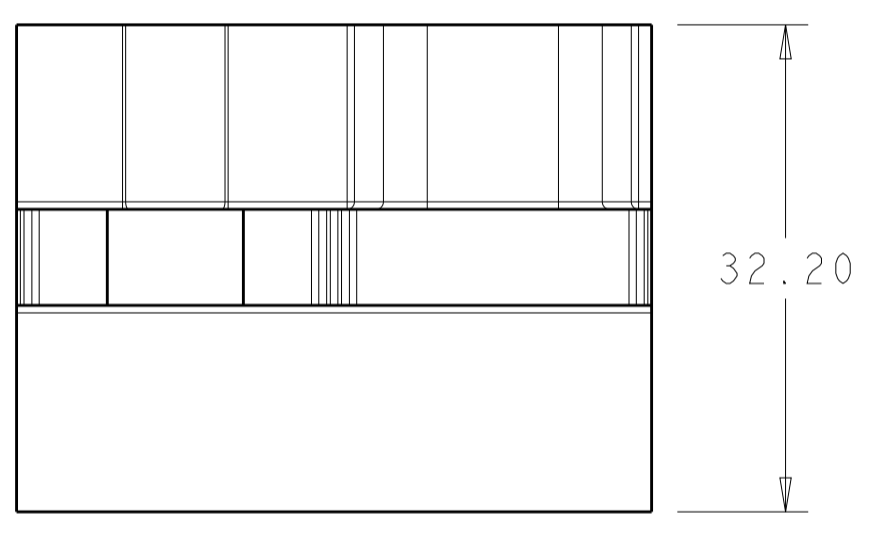
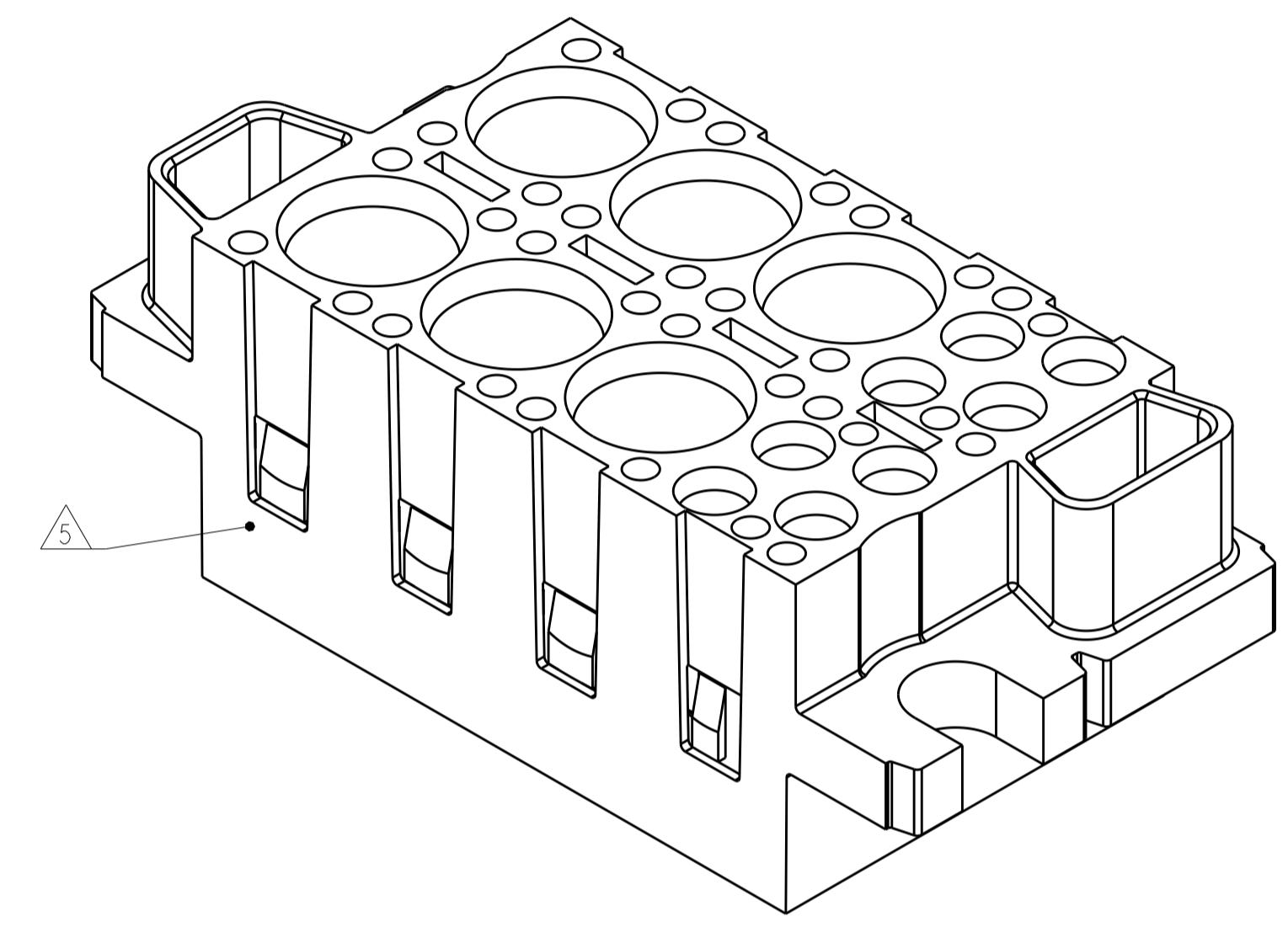


LOC		DIST		REVISIONS			
				REV	DATE	BY	APPV
				1	PROPOSED	06FEB2015	RT EW



- 1 HOUSING: THERMOPLASTIC, COLOR BLACK, FLAMMABILITY RATING UL 94 V-0.
- 2 THIS ASSEMBLY TO MATE WITH TEC PART NUMBER 2212369-1.
- 3. RECOMMENDED SHOULDER SCREW:
 2212056, FLOAT MOUNT
 2212055, FIXED MOUNT
- 4 RECOMMENDED PANEL CUTOUT FOR FRONT PANEL MOUNT APPLICATION.
 RECOMMENDED PANEL THICKNESS 1.5 TO 1.78.
- 5 DATE CODE AND PART NUMBER IN APPROXIMATE AREA SHOWN.



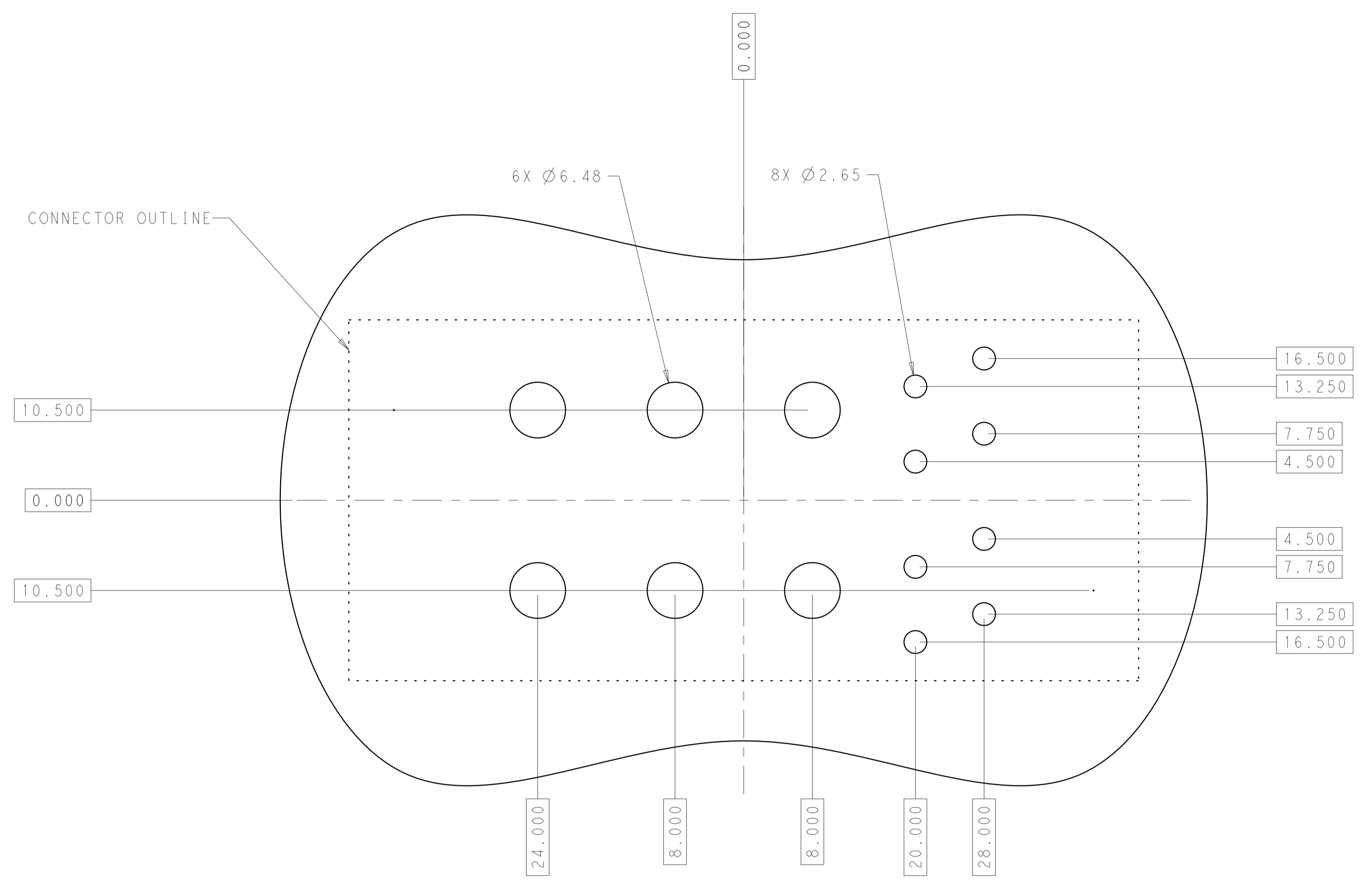
FULLY MATED ASSEMBLIES

CONNECTOR, PIN, FORGE 0x#0,6x#4,0x#8,2x#12,0x#22	2212367-1
DESCRIPTION	PART NO.

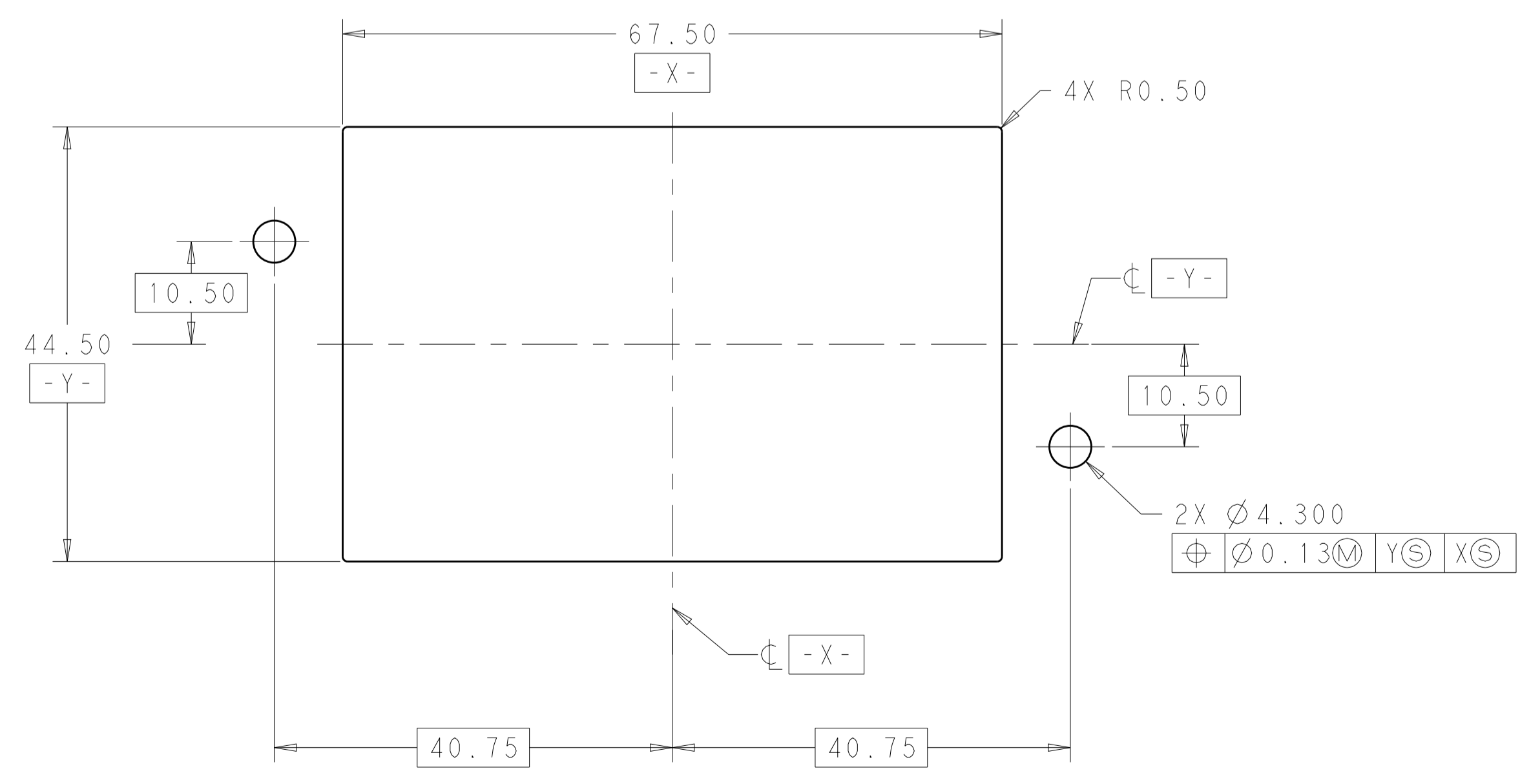
THIS PRINT IS
PRELIMINARY
 UNQUALIFIED PRODUCT
 CONTACT PRODUCT ENGINEERING
 BEFORE USING THIS PRINT

THIS DRAWING IS A CONTROLLED DOCUMENT.		OWN: R. IRENA 06FEB2015	TE Connectivity
DIMENSIONS: mm		CHK: E. WICKES 06FEB2015	
TOLERANCES UNLESS OTHERWISE SPECIFIED:		APPV: D. ORRIS 06FEB2015	
0 PLC ±N/A 1 PLC ±N/A 2 PLC ±0.25 3 PLC ±0.13 4 PLC ±N/A ANGLES ±N/A		NAME: D. ORRIS	
MATERIAL:		PRODUCT SPEC: 108-2323	NAME: CONNECTOR, PIN, FORGE
		APPLICATION SPEC: 114-13299	NAME: 0x#0,6x#4,0x#8,2x#12,0x#22
		WEIGHT: -	NAME: CONFIGURATION
		Customer Drawing	SIZE: A1
			CAGE CODE: 00779
			DRAWING NO: 2212367
			RESTRICTED TO: -
			SCALE: 2:1
			SHEET: 1 OF 2
			REV: 1

LOC		DIST		REVISIONS			
P	LTN	DESCRIPTION	DATE	DMN	APVD		
-	-	SEE SHEET 1	-	-	-	-	-



RECOMMENDED PCB LAYOUT
 SCALE 3:1



RECOMMENDED PANEL CUTOUT
 SCALE 2:1

THIS DRAWING IS A CONTROLLED DOCUMENT.		DMN	-	TE TE Connectivity	
		CHK	-		
DIMENSIONS:		APVD	-	NAME	
mm		PRODUCT SPEC		CONNECTOR, PIN, FORGE	
TOLERANCES UNLESS OTHERWISE SPECIFIED:		108-2323		0x#0, 6x#4, 0x#8, 2x#12, 0x#22	
0 PLC ±N/A		APPLICATION SPEC		CONFIGURATION	
1 PLC ±N/A		114-13299		SIZE	
2 PLC ±0.25		WEIGHT		A100779C=2212367	
3 PLC ±0.13		Customer Drawing		SCALE 1:1 SHEET 2 OF 2 REV 1	
4 PLC ±N/A					
ANGLES ±N/A					
FINISH ±N/A					