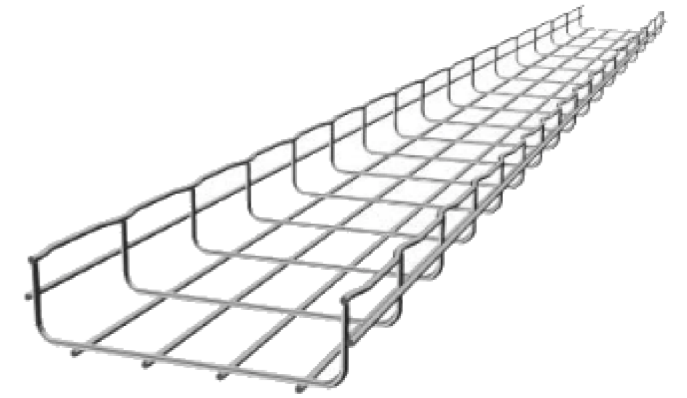
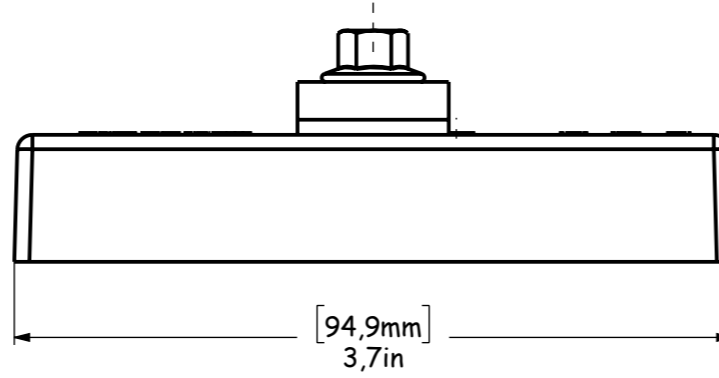
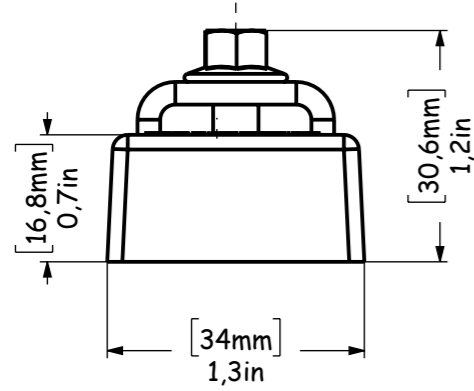
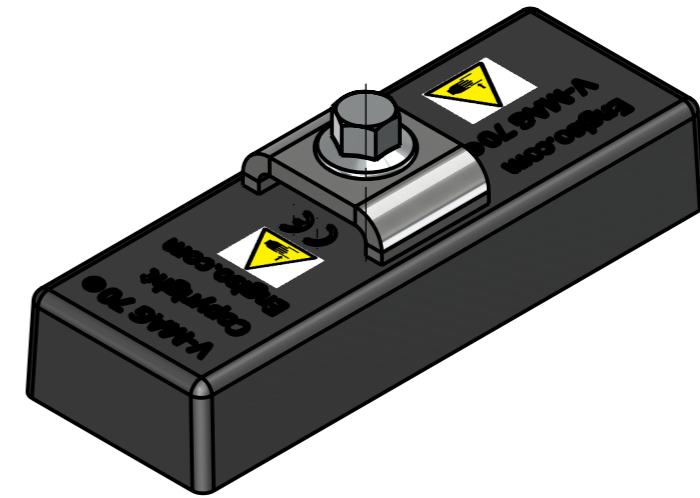
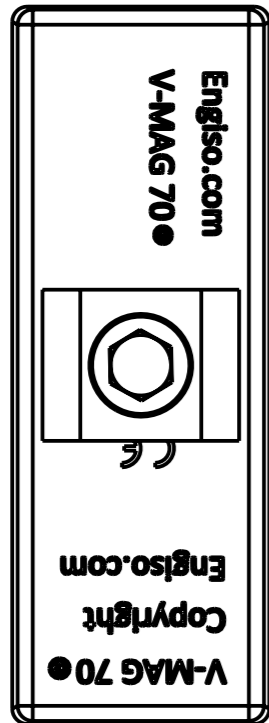


V-MAG 70© Magnetic Wire Mesh Cable Tray Clip



Wire mesh cable tray not included



ENGISO[®]
ENGINEERED SOLUTIONS

Phone: (+45) 70 23 00 75
E-mail: info@Engiso.com

	Linear tolerance	0-10	10-50	50-500	500-1000	1000-
		± 0.1	± 0.2	± 0.5	± 0.8	± 1

Created: 3. november 2022 Ini: ANO Updated: 3. november 2022 Ini: ANO

Surface treatment: _____ Approver: B.Ø.

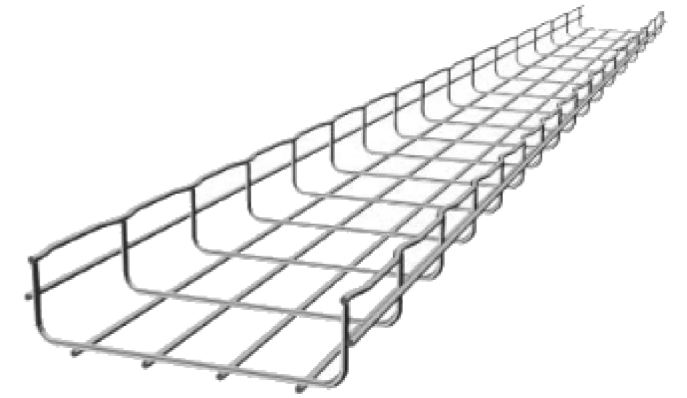
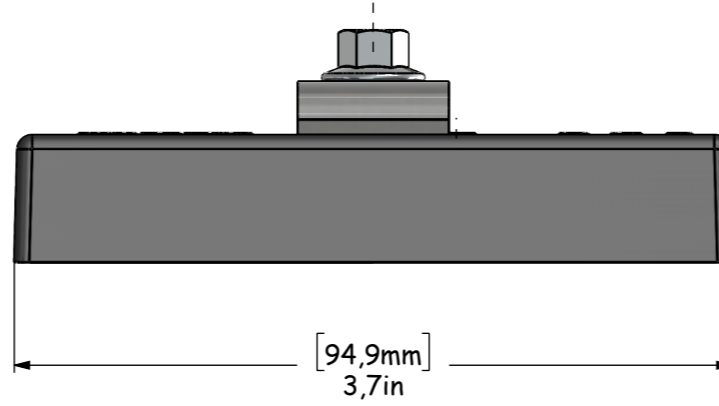
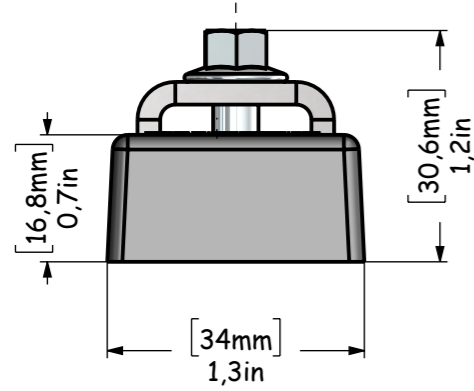
Material: Material <not specified> Weight: 0.1 Kg

Material Cert. EN10204: _____ Item: V-MAG 70© Magnetic Wire Mesh Cable Tray Clip

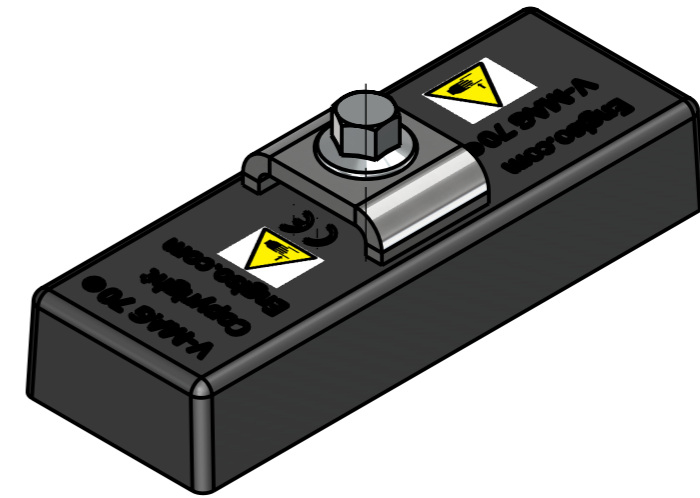
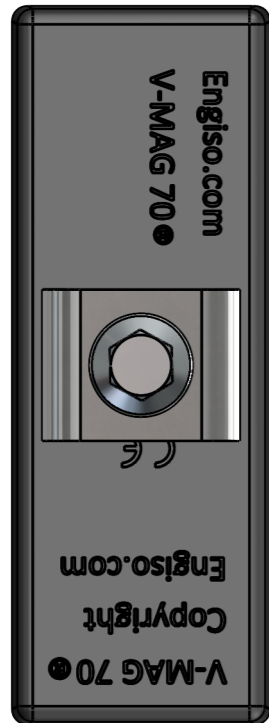
Unit: Metric

A3	Sheet : 1 of 2	SCALE 1:1	Drawing no.: 30213-000	Rev:
----	----------------	-----------	------------------------	------

V-MAG 70© Magnetic Wire Mesh Cable Tray Clip



Wire mesh cable tray not included



ENGISO[®]
ENGINEERED SOLUTIONS

Phone: (+45) 70 23 00 75
E-mail: info@Engiso.com

	Linear tolerance	0-10	10-50	50-500	500-1000	1000-
		± 0.1	± 0.2	± 0.5	± 0.8	± 1

Created: 3. november 2022 Ini: ANO Updated: 3. november 2022 Ini: ANO

Surface treatment: _____ Approver: B.Ø.

Material: Material <not specified> Weight: 0.1 Kg

Material Cert. EN10204: _____ Item: V-MAG 70© Magnetic Wire Mesh Cable Tray Clip

Unit: Metric

A3	Sheet : 2 of 2	SCALE 1:1	Drawing no.: 30213-000	Rev:
----	----------------	-----------	------------------------	------