

GN 337

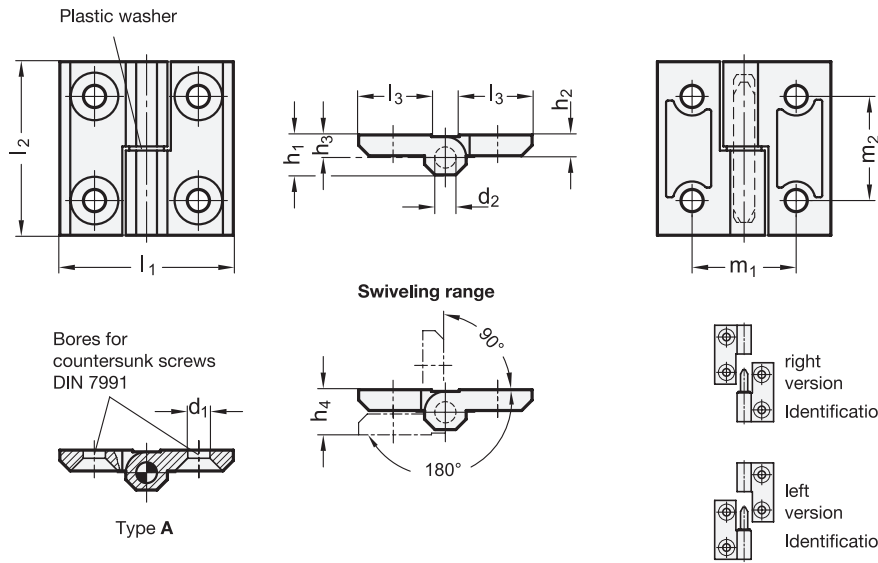
Zinc Die-Cast / Stainless Steel

Lift-Off Hinges

with Countersunk Bores



JWWINCO
A Ganter Company



SS Stainless Steel

4 Type

A 2x2 bores for countersunk screws

5 Identification no.

- 1 Fixed bearing (pin) right
- 2 Fixed bearing (pin) left

Metric table

Dimensions in: millimeters - inches

² l ₁	³ l ₂	d ₁	d ₂	h ₁	h ₂	h ₃	h ₄ +0.5	l ₃	m ₁	m ₂
40 1.57	40 1.57	5.3 0.21	4 0.16	9 0.35	5 0.20	5.5 0.22	11 0.43	16 0.63	25 0.98	25 0.98
50 1.97	50 1.97	6.4 0.25	6 0.24	11.5 0.45	6 0.24	6.5 0.26	13 0.51	21 0.83	30 1.18	30 1.18
60 2.36	60 2.36	8.3 0.33	8 0.31	15 0.59	8 0.31	8.5 0.33	17 0.67	26 1.02	36 1.42	36 1.42

Specification

- Body
Zinc die-cast **ZD**
Powder coated
Black, RAL 9005, textured finish **SW**
Silver, RAL 9006, textured finish **SR**
- Stainless steel AISI CF-8 **NI**
Matte shot-blasted finish **GS**
- Pin
Stainless steel AISI 303
- [Load Rating Information](#) → page 2088
- [Stainless Steel Characteristics](#) → page 2143
- [RoHS compliant](#)

Information

GN 337 lift-off hinges are a variation of GN 237 hinges, which are designed so the two sides of the hinge can be easily detached from one another.

see also...

- [List of Hinge Types](#) → page 1324
- [Hinges GN 237 \(Non Lift-Off\)](#) → page 1330
- [Spacer Plates GN 2370 \(Stainless Steel\)](#) → page 1380
- [Spacer Plates with Tapped Holes GN 2372 \(Stainless Steel\)](#) → page 1381
- [Limit Stops GN 2374](#) → page 1336

How to order

¹ ² ³ ⁴ ⁵ ⁶
GN 337-ZD-40-40-A-1-SR

1	Material
2	Width l ₁
3	Length l ₂
4	Type
5	Identification no.
6	Finish

3.1
3.2
3.3
3.4
3.5
3.6
3.7
3.8
3.9
3.10

