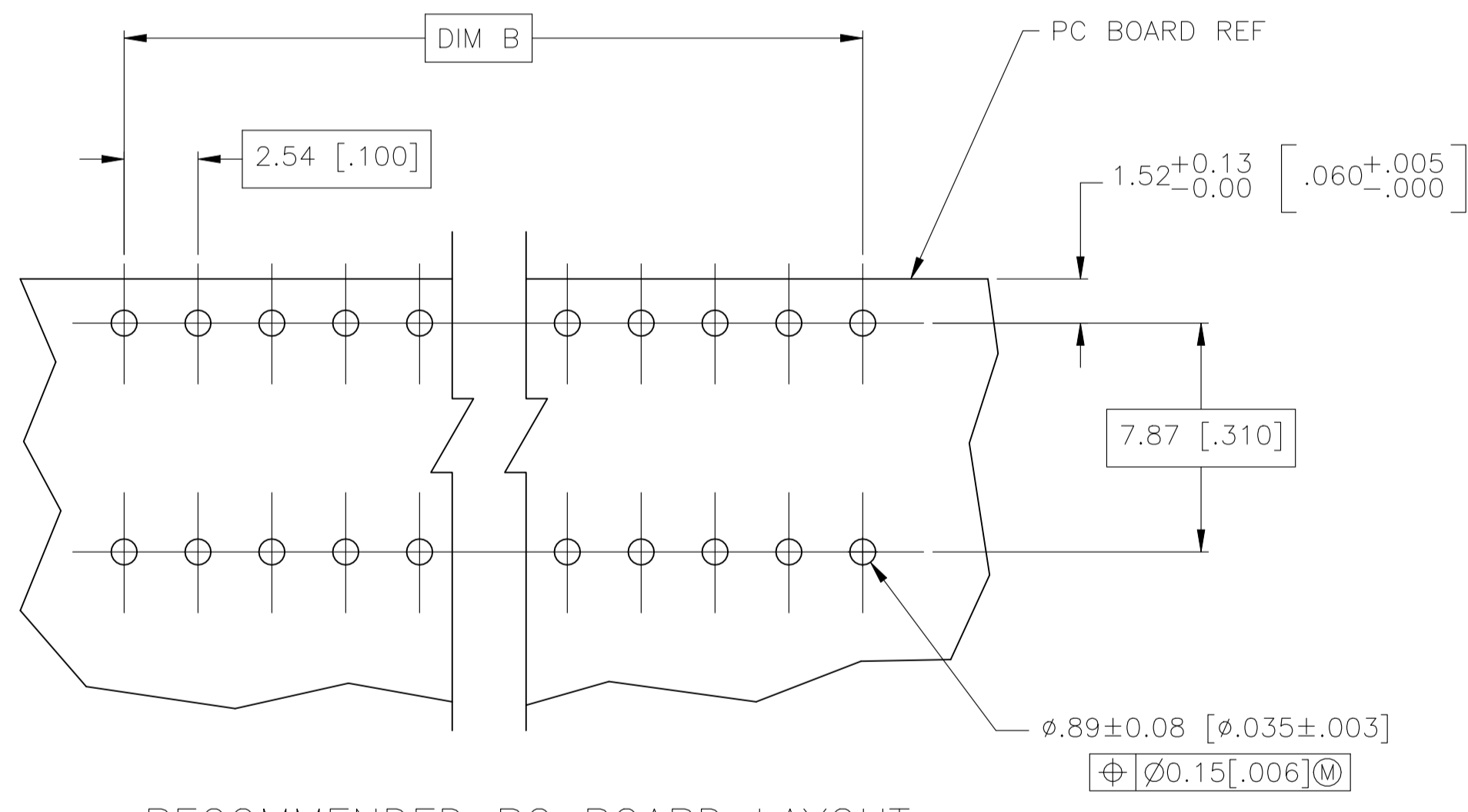
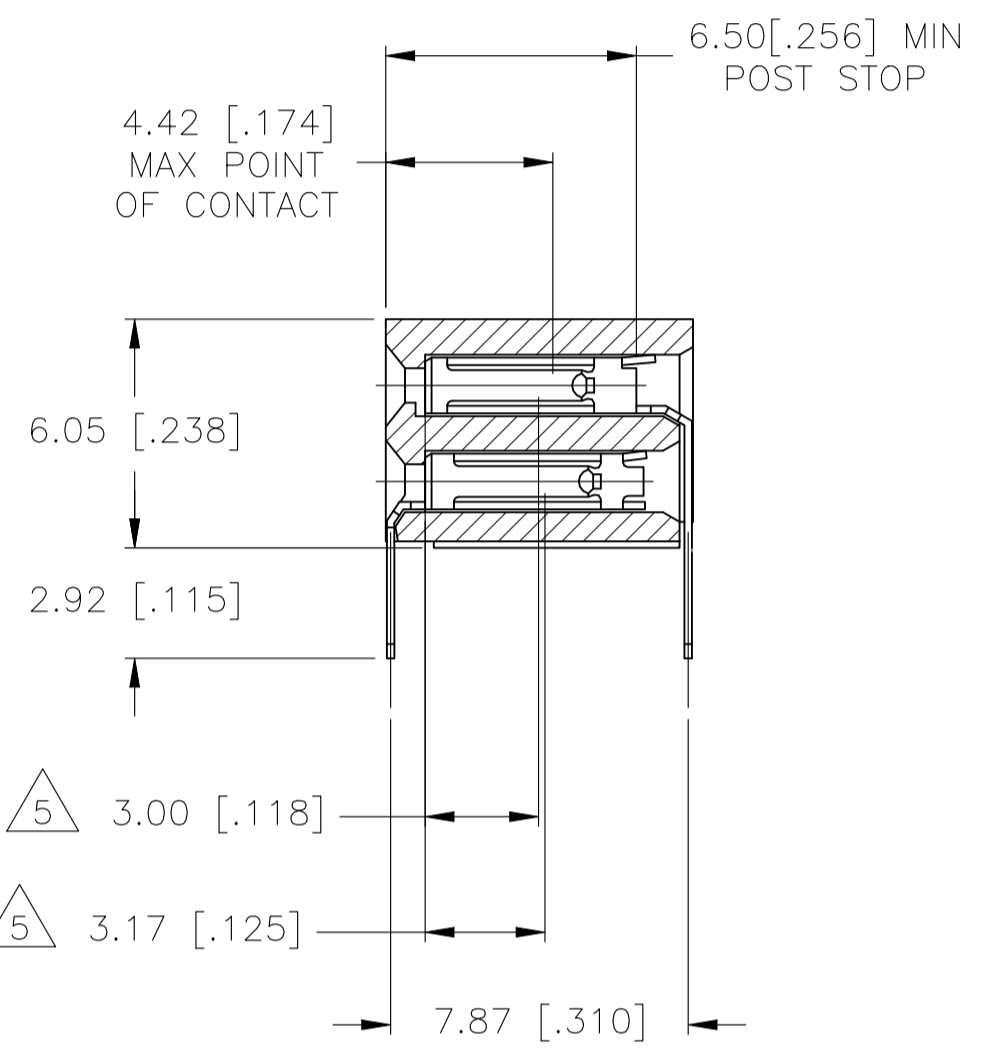
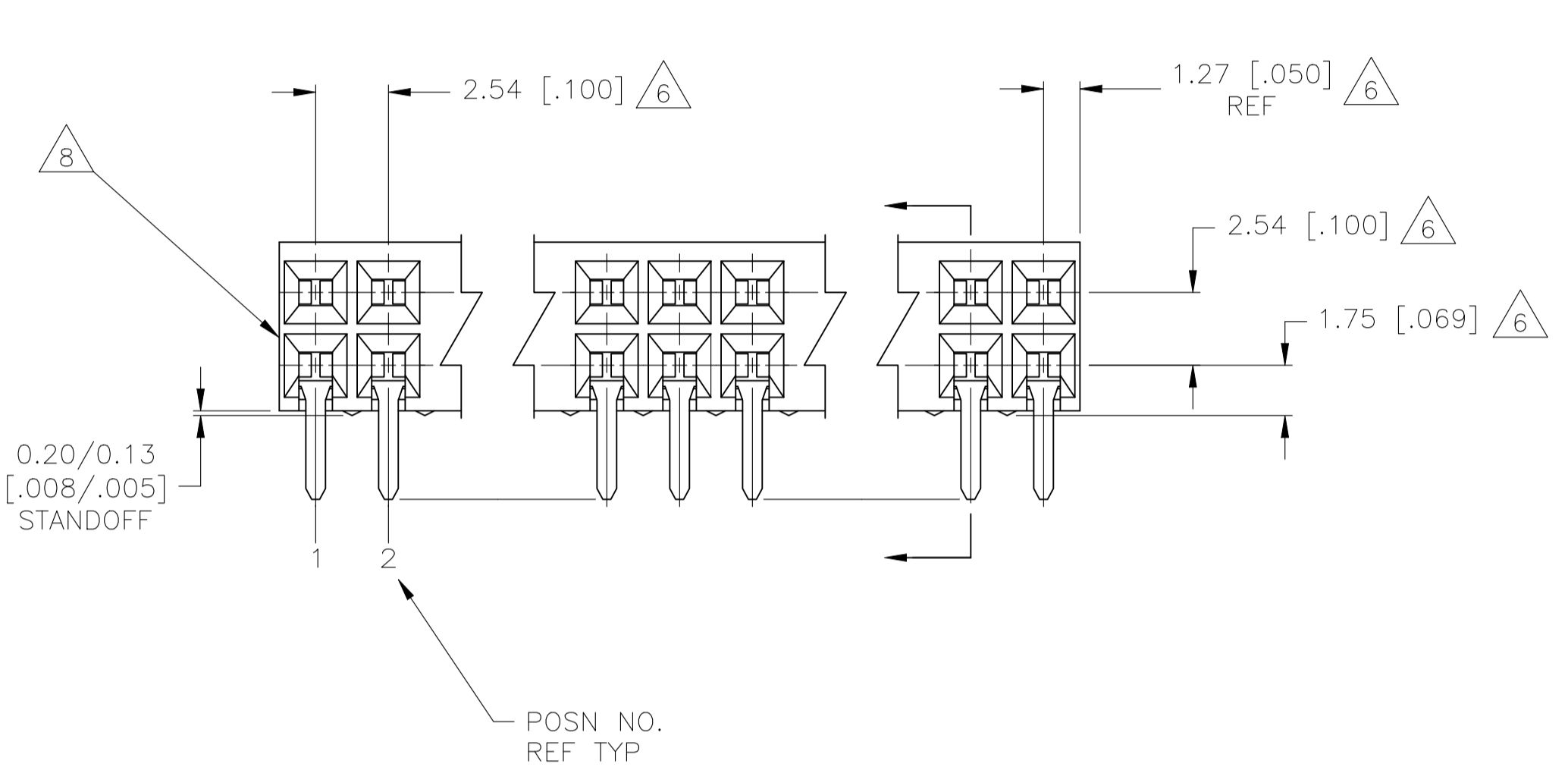
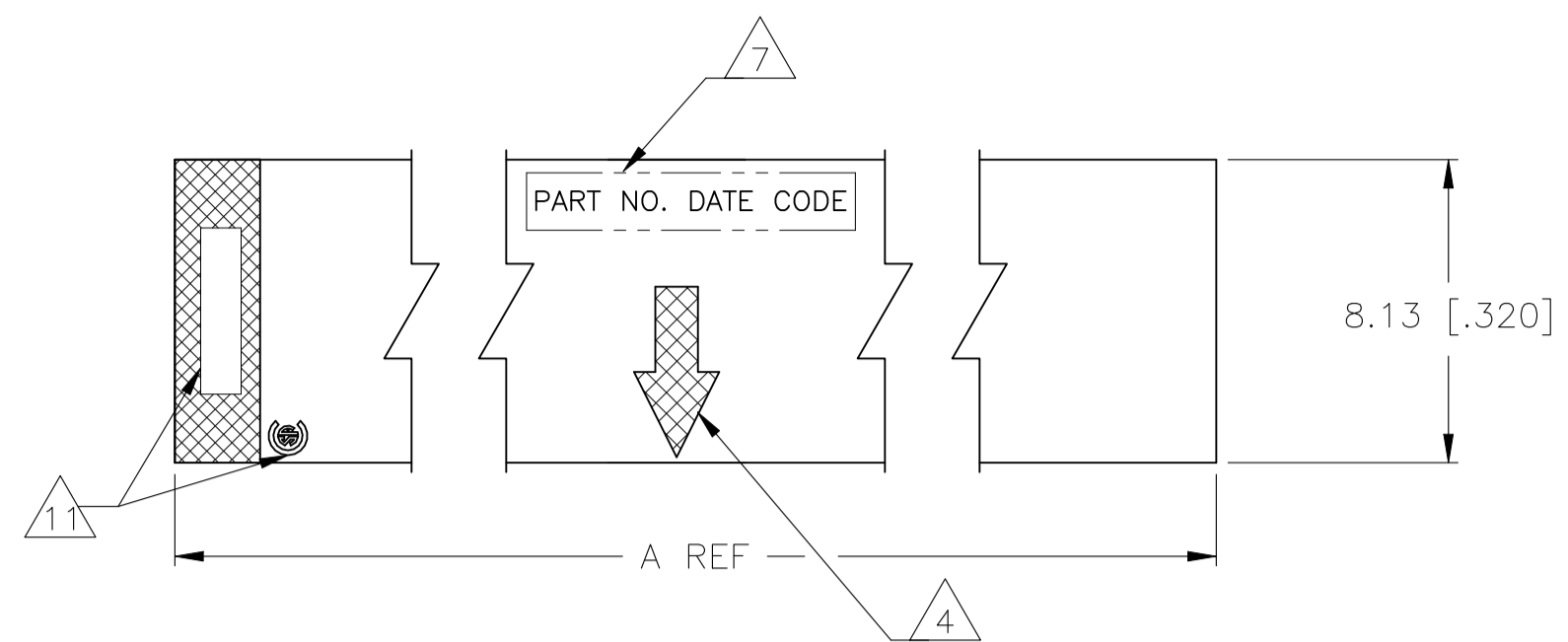


REVISIONS				
REV	DATE	BY	CHK	APPV
B	25OCT2021	SCB	KJK	



RECOMMENDED PC BOARD LAYOUT

- 1 HOUSING MATERIAL: GLASS FILLED POLYESTER, COLOR- BLACK
- 2 CONTACT MATERIAL: PHOSPHOR BRONZE
- 3 CONTACT FINISH: 3.81-7.62(.000150-.000300) THK MATTE TIN ALL OVER 0.00127(.000050)MIN NICKEL, ENTIRE CONTACT.
- 4 MOLDED IN ARROW DESIGNATES THE MATING FACE OF THE CONNECTOR
- 5 POINT OF MEASUREMENT FOR PLATING THICKNESS OF CONTACT AREA
- 6 DIMENSIONS PERTAIN TO HOUSING CAVITY CENTERLINES
- 7 PART NUMBER AND DATE CODE MARKED IN APPROXIMATE LOCATION SHOWN,EITHER END.
- 8 ALTERNATE LOCATION FOR DATE CODE FOR 4 AND 6 POSITION.
- 9 NO PART NUMBER MARKING REQUIRED FOR THIS PART.
- 10 ROHS 2002/95/EC COMPLIANT.
- 11 TE LOGO AND CSA LOGO ARE MOLDED INTO HOUSING, THIS LOCATION.

9	2.54 [.100]	5.08 [.200]	4	8	6-5102084-4
9	5.08 [.200]	7.62 [.300]	6	8	6-5102084-3
9	7.62 [.300]	10.16 [.400]	8		6-5102084-2
9	10.16 [.400]	12.70 [.500]	10		6-5102084-1
	12.70 [.500]	15.24 [.600]	12		6-5102084-0
	15.24 [.600]	17.78 [.700]	14		5-5102084-9
	17.78 [.700]	20.32 [.800]	16		5-5102084-8
	17.78 [.700]	22.86 [.900]	18		5-5102084-7
	22.86 [.900]	25.40 [1.000]	20		5-5102084-6
	25.40 [1.000]	27.94 [1.100]	22		5-5102084-5
	27.94 [1.100]	30.48 [1.200]	24		5-5102084-4
	30.48 [1.200]	33.02 [1.300]	26		5-5102084-3
	33.02 [1.300]	35.56 [1.400]	28		5-5102084-2
	35.56 [1.400]	38.10 [1.500]	30		5-5102084-1
	38.10 [1.500]	40.64 [1.600]	32		5-5102084-0
	40.64 [1.600]	43.18 [1.700]	34		4-5102084-9
	43.18 [1.700]	45.72 [1.800]	36		4-5102084-8
	45.72 [1.800]	48.26 [1.900]	38		4-5102084-7
	48.26 [1.900]	50.8 [2.000]	40		4-5102084-6
	50.8 [2.000]	53.34 [2.100]	42		4-5102084-5
	53.34 [2.100]	55.88 [2.200]	44		4-5102084-4
	55.88 [2.200]	58.42 [2.300]	46		4-5102084-3
	58.42 [2.300]	60.96 [2.400]	48		4-5102084-2
	60.96 [2.400]	63.50 [2.500]	50		4-5102084-1
	63.50 [2.500]	66.04 [2.600]	52		4-5102084-0
	66.04 [2.600]	68.58 [2.700]	54		3-5102084-9
	68.58 [2.700]	71.12 [2.800]	56		3-5102084-8
	71.12 [2.800]	73.66 [2.900]	58		3-5102084-7
	73.66 [2.900]	76.20 [3.000]	60		3-5102084-6
	76.20 [3.000]	78.74 [3.100]	62		3-5102084-5
	78.74 [3.100]	81.28 [3.200]	64		3-5102084-4
	81.28 [3.200]	83.82 [3.300]	66		3-5102084-3
	83.82 [3.300]	86.36 [3.400]	68		3-5102084-2
	86.36 [3.400]	88.90 [3.500]	70		3-5102084-1
	88.90 [3.500]	91.44 [3.600]	72		3-5102084-0
	91.44 [3.600]	93.98 [3.700]	74		2-5102084-9
	93.98 [3.700]	96.52 [3.800]	76		2-5102084-8
	96.52 [3.800]	99.06 [3.900]	78		2-5102084-7
	99.06 [3.900]	101.6 [4.000]	80		2-5102084-6
	101.6 [4.000]	104.14 [4.100]	82		2-5102084-5
	104.14 [4.100]	106.68 [4.200]	84		2-5102084-4
	106.68 [4.200]	109.22 [4.300]	86		2-5102084-3
	109.22 [4.300]	111.76 [4.400]	88		2-5102084-2
	111.76 [4.400]	114.30 [4.500]	90		2-5102084-1
	114.30 [4.500]	116.84 [4.600]	92		2-5102084-0
	116.84 [4.600]	119.38 [4.700]	94		1-5102084-9
	119.38 [4.700]	121.92 [4.800]	96		1-5102084-8
	121.92 [4.800]	124.46 [4.900]	98		1-5102084-7
	124.46 [4.900]	127.00 [5.000]	100		1-5102084-6
	127.00 [5.000]	129.54 [5.100]	102		1-5102084-5
	129.54 [5.100]	132.08 [5.200]	104		1-5102084-4
	132.08 [5.200]	134.62 [5.300]	106		1-5102084-3
	134.62 [5.300]	137.16 [5.400]	108		1-5102084-2
	137.16 [5.400]	139.70 [5.500]	110		1-5102084-1
	139.70 [5.500]	142.24 [5.600]	112		1-5102084-0
	139.70 [5.500]	144.78 [5.700]	114		5102084-9
	144.78 [5.700]	147.32 [5.800]	116		5102084-8
	147.32 [5.800]	149.86 [5.900]	118		5102084-7
	149.86 [5.900]	152.40 [6.000]	120		5102084-6
	152.40 [6.000]	154.94 [6.100]	122		5102084-5
	154.94 [6.100]	157.48 [6.200]	124		5102084-4
	157.48 [6.200]	160.02 [6.300]	126		5102084-3
	160.02 [6.300]	162.56 [6.400]	128		5102084-2
	162.56 [6.400]	165.10 [6.500]	130		5102084-1

THIS DRAWING IS A CONTROLLED DOCUMENT.

DIN BSV 03NOV04

TE Connectivity

AMPMODU MOD II RECEPTACLE ASSEMBLY, HORIZONTAL, .100 CL, 2 ROW, CLOSED-ENTRY, SHORT POINT OF CONTACT, END-TO-END STACKABLE

SIZE: A1 CAGE CODE: 00779 DRAWING NO: 5102084

SCALE: 5:1 SHEET: 1 of 1 REV: B