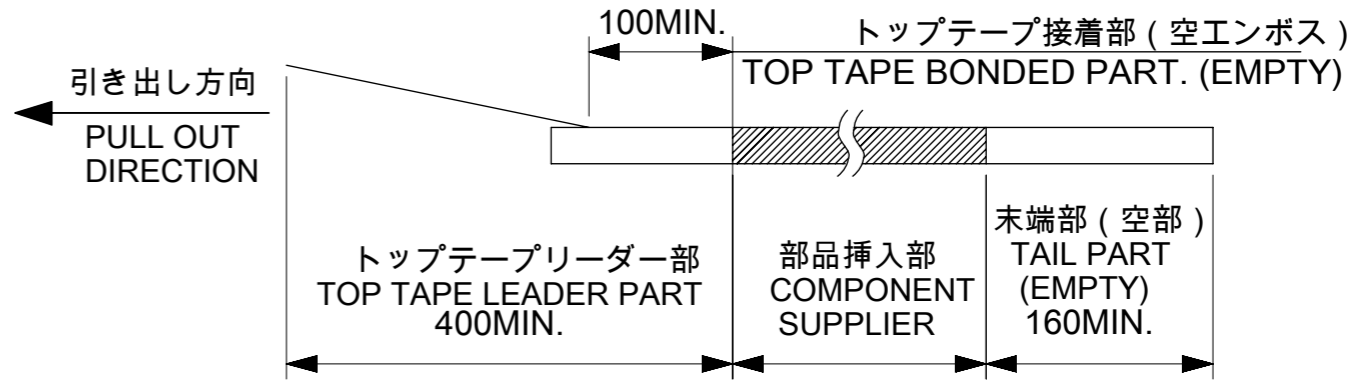


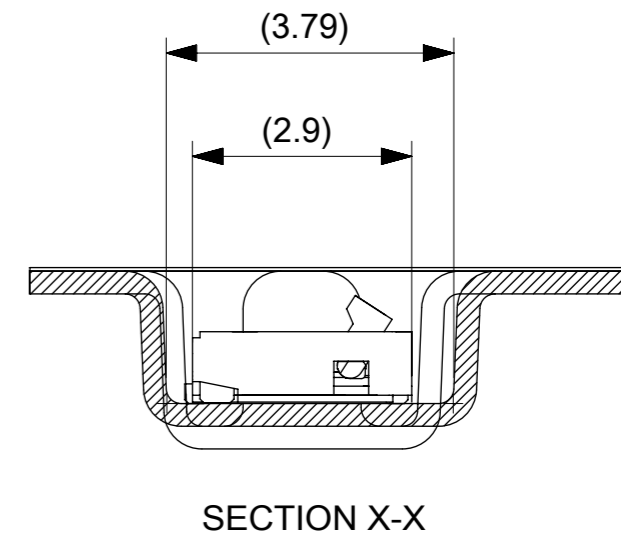
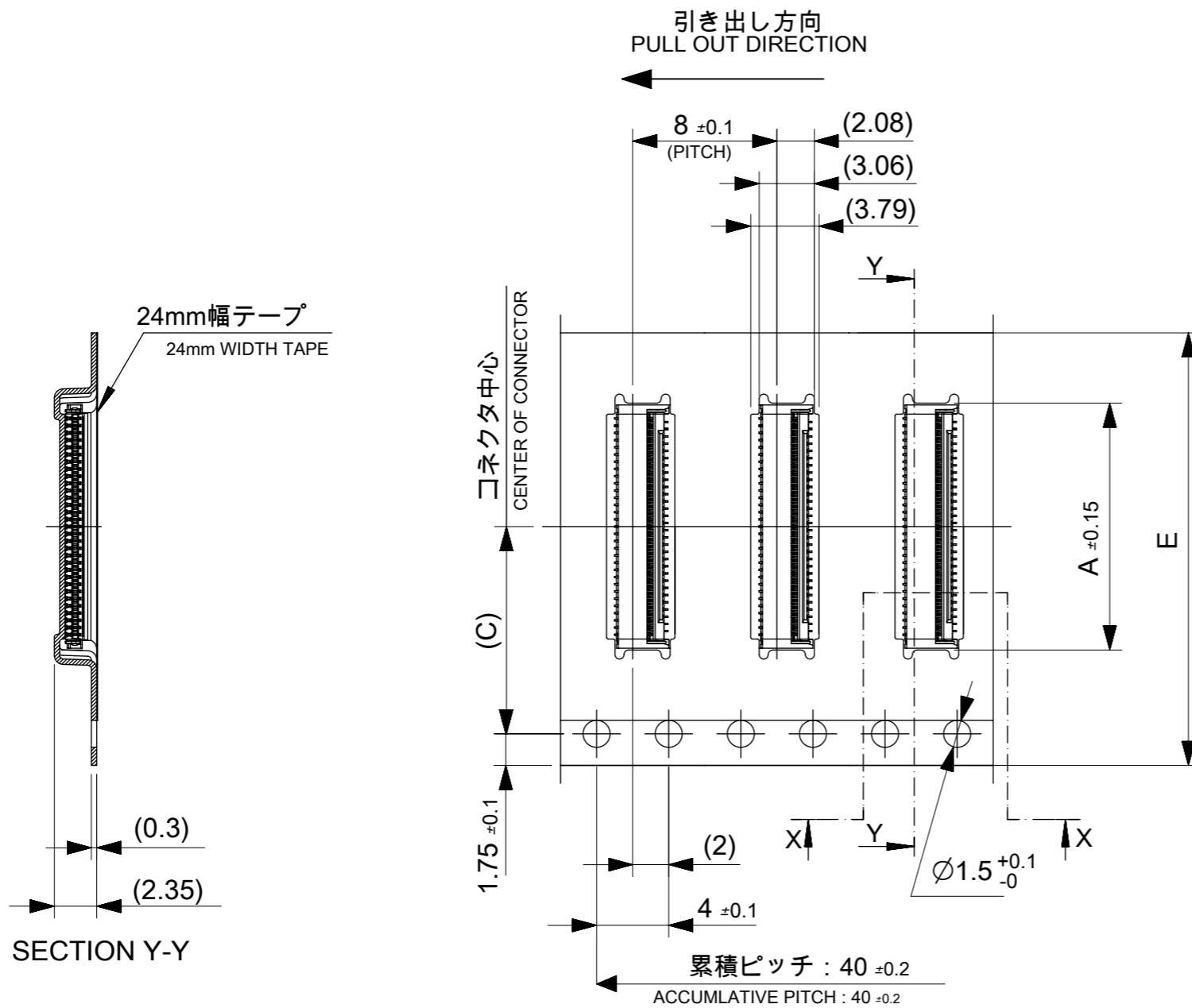
注記 NOTES

- 製品詳細寸法については図面5040701000_PSD_000を参照ください。
REFER TO THE 5040701000_PSD_000 ABOUT DIMENSIONS IN DETAIL.
- 梱包数量 : 3000個/リール , 71極 : 5,000個 /リール
NUMBER OF CONNECTORS : 3,000 PCS/REEL , 71CKT : 5,000PCS
- リードテープ長さ LEAD TAPE LENGTH



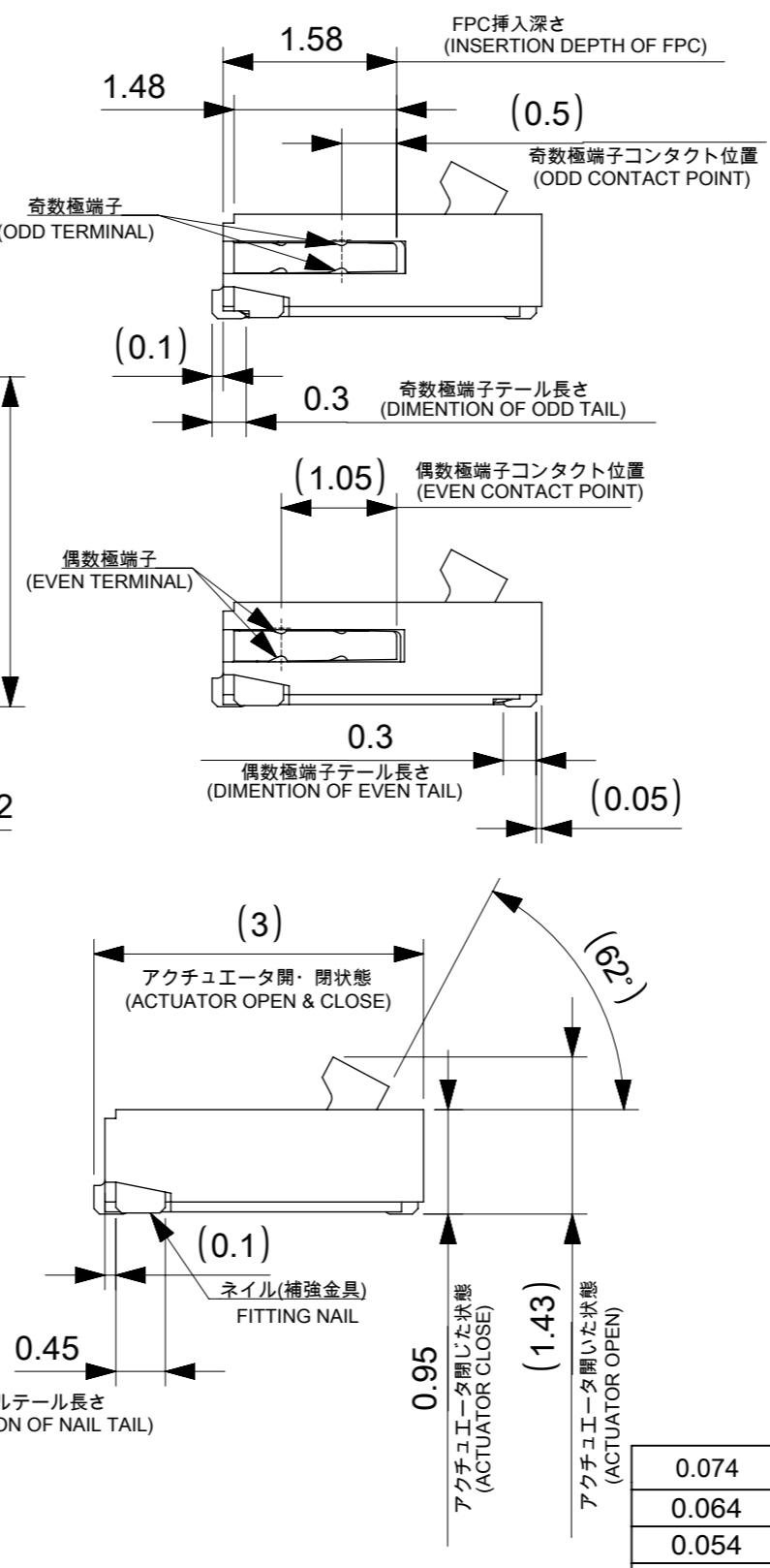
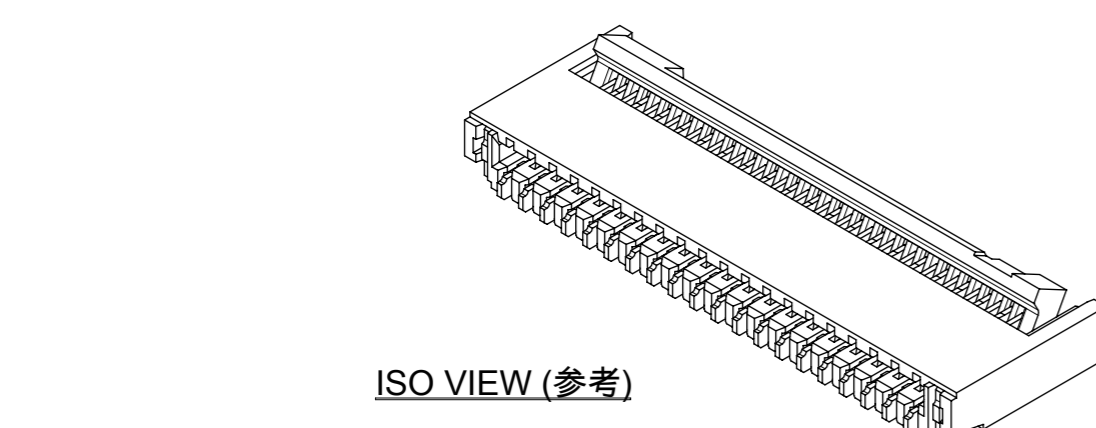
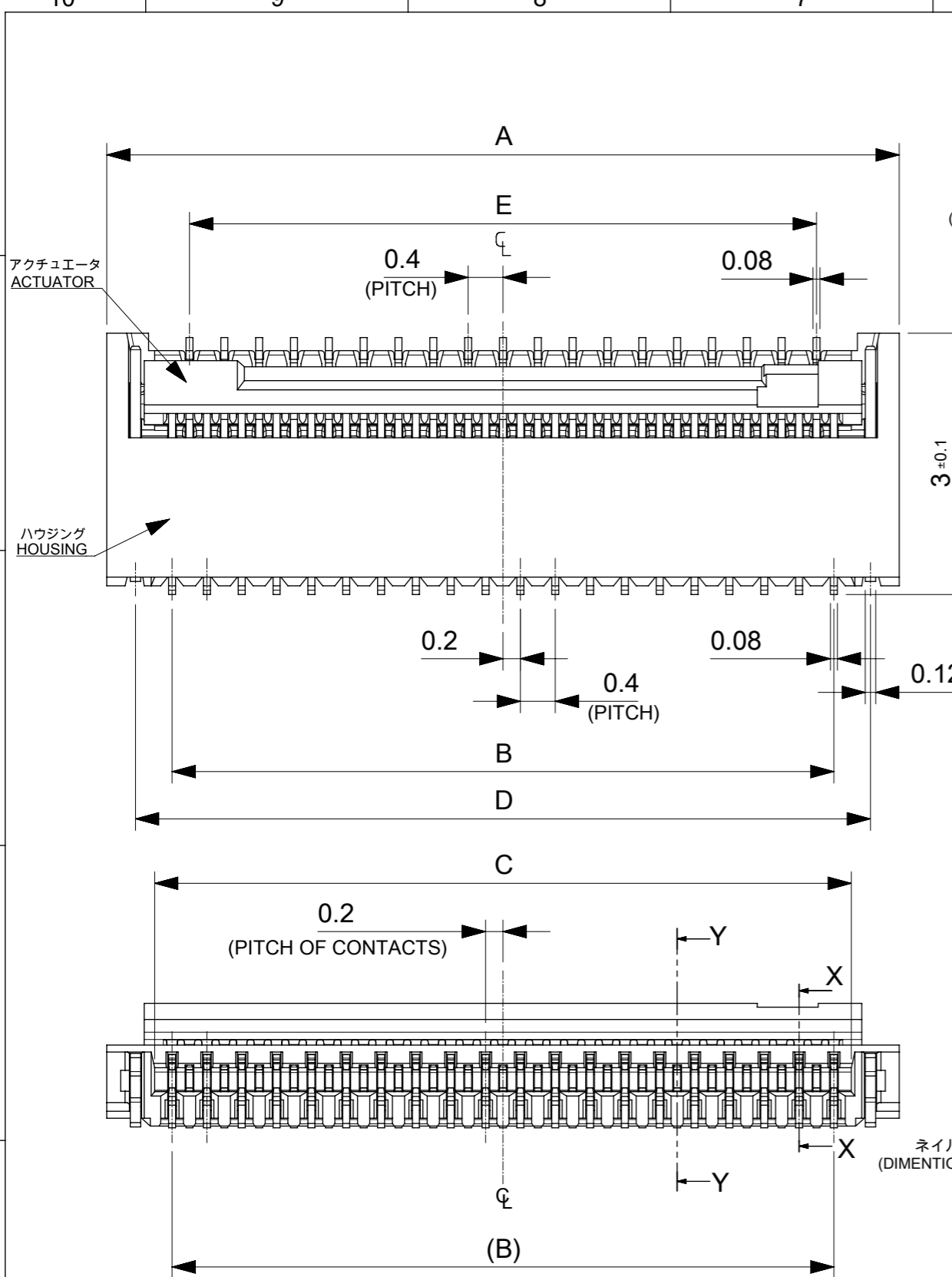
- 材料 MATERIAL
 キャリアテープ(CARRIER TAPE) : ポリスチレン (POLYSTYRENE)
 トップテープ(TOP TAPE) : PET, PE, PEF
 リール(REEL) : ポリスチレン(PS) <リサイクル材を含む>
 POLYSTYRENE (PS) < RECYCLE MATERIAL CONTAINED >

THIS DRAWING CONTAINS INFORMATION THAT IS PROPRIETARY TO MOLEX ELECTRONIC TECHNOLOGIES, LLC AND SHOULD NOT BE USED WITHOUT WRITTEN PERMISSION		CURRENT REV DESC: PROPOSED		molex	
DIMENSION UNITS	SCALE				
mm	NTS			PRODUCT CUSTOMER DRAWING	
GENERAL TOLERANCES (UNLESS SPECIFIED)		EC NO: 611109		DOCUMENT NUMBER	
ANGULAR TOL ± 1.0°		DRWN: AISHII 2019/01/23		5040700000	
4 PLACES ±		CHK'D: TRSUZUKI 2019/01/28		DOC TYPE	
3 PLACES ±		APPR: RTAKEUCHI 2019/01/28		PSD	
2 PLACES ±		INITIAL REVISION:		DOC PART	
1 PLACE ±		DRWN: SKITAZAWA 2017/06/13		000	
0 PLACES ±		APPR: TKUSUHARA01 2017/07/24		REVISION	
DRAFT WHERE APPLICABLE MUST REMAIN WITHIN DIMENSIONS		THIRD ANGLE PROJECTION	DRAWING	SERIES	MATERIAL NUMBER
			A3-SIZE	504070	SEE TABLE
				CUSTOMER	SHEET NUMBER
				GENERAL	1 OF 2



24±0.3	11.5	25.4	15.7	5040707181	5,000	71
			13.7	5040706191	3,000	61
			11.7	5040705191	3,000	51
			9.3	5040703991	3,000	39
E キャリアテープ幅 EMBOSSED TAPE WIDTH	C	B	A	オーダー番号 ORDER NO.	個数 NUMBER	極数 CIRCUITS

THIS DRAWING CONTAINS INFORMATION THAT IS PROPRIETARY TO MOLEX ELECTRONIC TECHNOLOGIES, LLC AND SHOULD NOT BE USED WITHOUT WRITTEN PERMISSION						
DIMENSION UNITS	SCALE	CURRENT REV DESC: PROPOSED				
mm	NTS					
GENERAL TOLERANCES (UNLESS SPECIFIED)						
ANGULAR TOL	± 1.0°					
4 PLACES	±					
3 PLACES	±					
2 PLACES	±	EC NO: 611109 DRWN: AISHII 2019/01/23 CHK'D: TRSUZUKI 2019/01/28 APPR: RTAKEUCHI 2019/01/28				
1 PLACE	±	INITIAL REVISION: DRWN: SKITAZAWA 2017/06/13 APPR: TKUSUHARA01 2017/07/24				
0 PLACES	±	DOCUMENT NUMBER		DOC TYPE	DOC PART	REVISION
DRAFT WHERE APPLICABLE MUST REMAIN WITHIN DIMENSIONS		THIRD ANGLE PROJECTION	DRAWING	SERIES	MATERIAL NUMBER	CUSTOMER
			A3-SIZE	504070	SEE TABLE	GENERAL
					5040700000	PSD 000 B
						2 OF 2



注記 NOTES

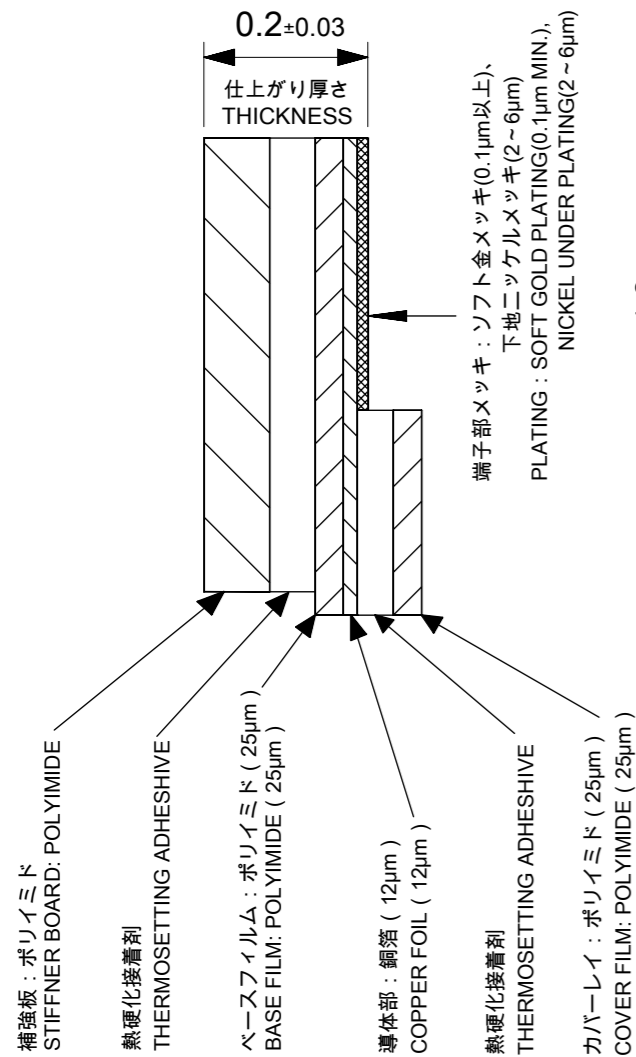
- 材質 MATERIAL
 ハウジング：熱可塑性樹脂、黒色、UL94 V-0
 アクチュエータ：熱可塑性樹脂
 奇数極端子・偶数極端子：銅合金(t0.08)、ニッケル下地、金めっき
 ネイル(補強金具)：銅合金(t0.12)、ニッケル下地、錫めっき
 HOUSING：THERMOPLASTIC RESIN, BLACK, UL94 V-0
 ACTUATOR：THERMOPLASTIC RESIN
 TERMINAL：COPPER ALLOY(t0.08), GOLD OVER NICKEL PLATING
 FITTING NAIL：COPPER ALLOY(t0.12), TIN OVER NICKEL PLATING
- めっき仕様 PLATING
 ターミナル TERMINAL
 接点部：金めっき 0.1μm以上
 テール部：金めっき
 下地：ニッケルめっき 1.0μm以上
 CONTACT AREA：GOLD PLATING 0.1 MICROMETER MNIMUM
 TAIL AREA：GOLD PLATING
 UNDER PLATNG：NICKEL PLATING 1.0 MICROMETER MINIMUM
 ネイル(補強金具) FITTING NAIL
 錫めっき 1.0μm以上
 下地：ニッケルめっき：1.0μm以上
 TIN PLATING 1.0 MICROMETER MNIMUM
 UNDER PLATNG：NICKEL PLATING 1.0 MICROMETER MINIMUM
- 端子・ネイルの平坦度は0.1mm以下とする。
 COPLANARITY OF TAILS AND FITTING NAILS :0.1 MAXIMUM.
- 各寸法の公差設定を下記のとおりとする。
 THE TOLERANCE SETTING OF EACH DIMENTION IS AS FOLLOWS.

寸法範囲 DIMENSIONAL RANGE	公差 TOLERANCES
30≦寸法値 DIMENTION	±0.3
10≦寸法値 DIMENTION < 30	±0.25
1≦寸法値 DIMENTION < 10	±0.2
0.5≦寸法値 DIMENTION < 1	±0.1
0.25≦寸法値 DIMENTION < 0.5	±0.05
寸法値 DIMENTION < 0.25	±0.03

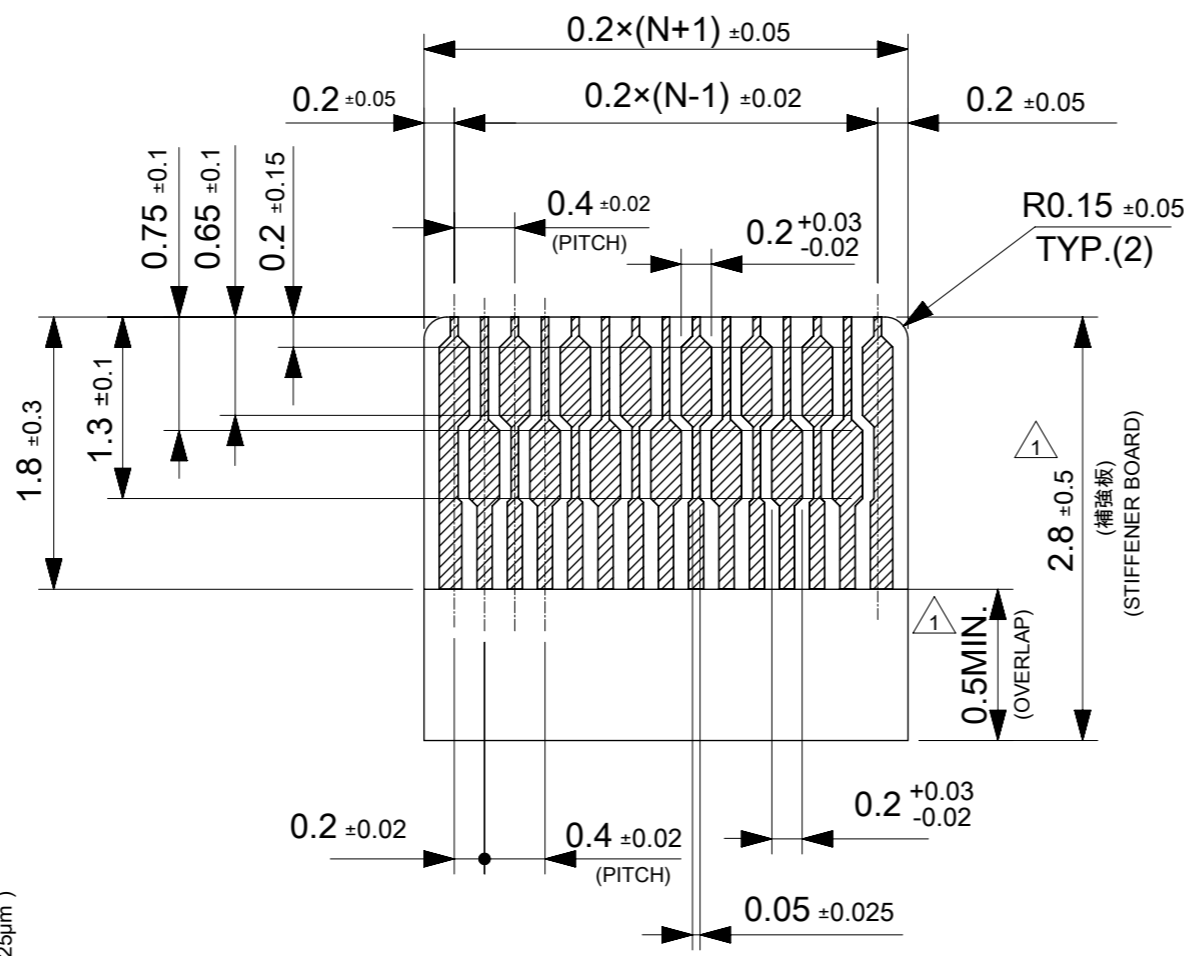
0.074	13.6	14.84	14.4	14	15.5	5040707181	5,000	71
0.064	11.6	12.84	12.4	12	13.5	5040706191	3,000	61
0.054	9.6	10.84	10.4	10	11.5	5040705191	3,000	51
0.043	7.2	8.44	8	7.6	9.1	5040703991	3,000	39
重さ(g) WEIGHT(g)	E	D	C	B	A	EMBOSSDPACKAGE オーダー番号：ORDER NO.	個数 NUMBER	極数 CIRCUITS

CONNECTOR SERIES : 504070**11

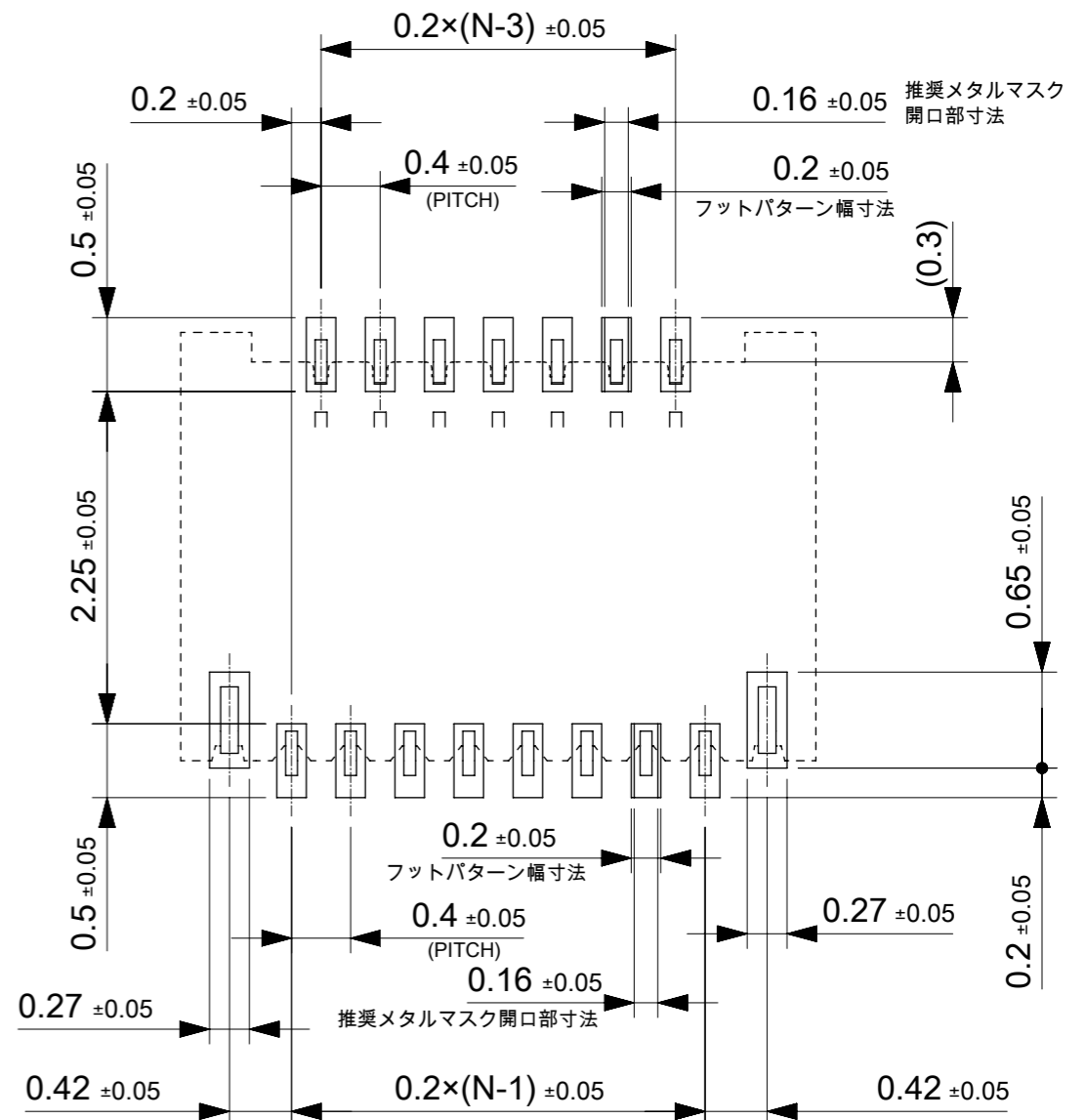
THIS DRAWING CONTAINS INFORMATION THAT IS PROPRIETARY TO MOLEX ELECTRONIC TECHNOLOGIES, LLC AND SHOULD NOT BE USED WITHOUT WRITTEN PERMISSION		CURRENT REV DESC:			
DIMENSION UNITS mm	SCALE 15:1				
GENERAL TOLERANCES (UNLESS SPECIFIED)		EC NO: 717102		0.2 FPC CONN. BACK FLIP HOUSING ASSY LOW-HALOGEN PRODUCT CUSTOMER DRAWING	
ANGULAR TOL ± 1.0°		DRWN: RAJAGN 2022/08/02			
4 PLACES ±		CHK'D: SMARUYAMA 2022/08/09			
3 PLACES ±		APPR: YNAITO 2022/08/09			
2 PLACES ±		INITIAL REVISION:		DOCUMENT NUMBER 5040701000	
1 PLACE ±		DRWN: SKITAZAWA 2016/06/30		DOC TYPE PSD	
0 PLACES ±		APPR: TKUSUHARA01 2017/07/24		DOC PART 000	
DRAFT WHERE APPLICABLE MUST REMAIN WITHIN DIMENSIONS		THIRD ANGLE PROJECTION		REVISION C	
		DRAWING A3-SIZE		SHEET NUMBER 1 OF 2	
		SERIES 504070		CUSTOMER GENERAL	
		MATERIAL NUMBER SEE TABLE			



FPC構成推奨仕様
(STRUCTURE OF FPC)



適合する金めっきFPC推奨寸法
 APPLICABLE FPC OF GOLD PLATING
 RECOMMENDED DIMENSION
 (仕上がり厚さ: 0.2 ± 0.03)
 (THICKNESS: 0.2 ± 0.03)



推奨基板寸法
 RECOMMENDED
 P.C.B PATTERN LAYOUT

推奨ペースト厚: $100 \mu\text{m}$
 推奨マスク開口率: 80%
 RECOMMEND SCREEN THICKNESS: $100 \mu\text{m}$
 RECOMMEND SCREEN OPEN RATIO: 80%

・ FPCについて (ABOUT FPC):
 抜き方向は、導体側から補強板側を推奨致します。
 補強フィルム材質は、ポリイミドを推奨致します。
 接着剤は熱硬化接着剤を推奨致します。
 尚、接着剤の接点部への付着は導通不良の原因になりますので、染み出しが無い様、お願い致します。
 RECOMMENDED PUNCHER DIRECTION: FROM CONDUCTOR SIDE TO STIFFENER FILM SIDE.
 RECOMMENDED MATERIAL: STIFFENER FILM: POLYIMIDE
 BONDING AGENT: THERMOSETTING AGENT
 PLEASE PUT APPROPRIATE AMOUNT OF ADHESIVE ON ADHEREND
 BECAUSE THERE IS A POSSIBILITY THAT THE EXTRA ADHESIVE
 CAUSES THE DEFECT IN ELECTRICAL CONTINUITY.
 補強板長さが図面通り確保できない場合は、カバーレイと補強板のオーバーラップ寸法を0.5mm以上としてください。
 WHEN STIFFENER BOARD DIMENSION CAN NOT SECURE AS DRAWING, PLEASE GIVE THE OVERLAP SIZE OF COVER FILM AND STIFFENER BOARD AS 0.5mm MINIMUM.

THIS DRAWING CONTAINS INFORMATION THAT IS PROPRIETARY TO MOLEX ELECTRONIC TECHNOLOGIES, LLC AND SHOULD NOT BE USED WITHOUT WRITTEN PERMISSION		CURRENT REV DESC:		molex	
DIMENSION UNITS	SCALE				
mm	$\frac{1}{25.4}$			0.2 FPC CONN. BACK FLIP HOUSING ASSY LOW-HALOGEN	
GENERAL TOLERANCES (UNLESS SPECIFIED)				PRODUCT CUSTOMER DRAWING	
ANGULAR TOL	$\pm 1.0^\circ$			DOCUMENT NUMBER	
4 PLACES	\pm	EC NO: 717102	2022/08/02	5040701000	
3 PLACES	\pm	DRWN: RAJAGN	2022/08/09	DOC TYPE	DOC PART
2 PLACES	\pm	CHK'D: SMARUYAMA	2022/08/09	PSD	000
1 PLACE	\pm	APPR: YNAITO	2022/08/09	C	
0 PLACES	\pm	INITIAL REVISION:		SHEET NUMBER	
DRAFT WHERE APPLICABLE MUST REMAIN WITHIN DIMENSIONS		DRWN: SKITAZAWA	2016/06/30	2 OF 2	
THIRD ANGLE PROJECTION		APPR: TKUSUHARA01	2017/07/24		
DRAWING		SERIES	MATERIAL NUMBER	CUSTOMER	
A3-SIZE		504070	SEE SHEET 1	GENERAL	